

PS2 BAS C

PISA Tap Range Pisa 2 Basin Mixer With Clicker Waste Chrome



Features:

- Long life ceramic cartridge for added durability and ease of use
- Metal fixing nut for added durability
- Includes clicker waste

Product Certifications:



WRAS Cert. Number: 1711003
WRAS Expiry Date: 30/11/2022



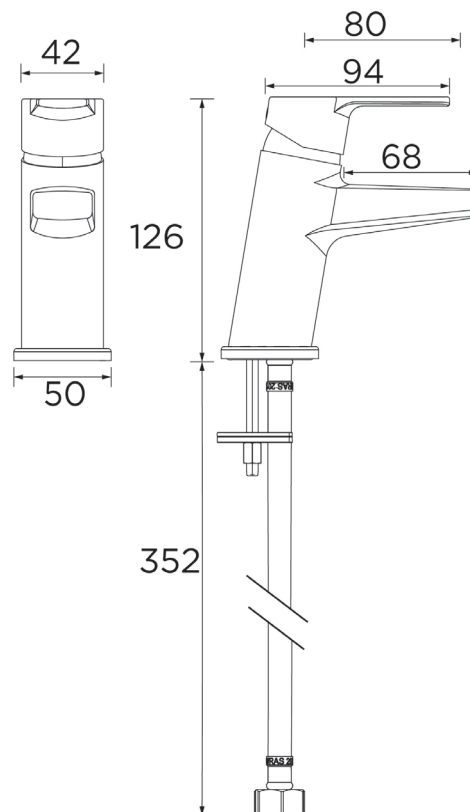
For more products, visit our website:
<http://www.bristan.com>



Specification

Product Type:	Bathroom Tap
Main Construction Material:	Brass
Mount Type:	Deck Mounted
Handle Type:	Lever Handle
Connection Inlet:	½" BSP
Connection Outlet:	N/A
Number of Tap Holes:	1
Valve/Cartridge Type:	Standard Cartridge
Plumbing System Requirements:	All - Ideally Balanced
Working Pressure Range:	Min. 0.3 Bar, Max. 5.0 Bar
Maximum Hot Water Temperature: °C	65
Maximum Static Pressure: (bar)	10
Flow Type:	Single Flow
Isolation Included:	No

Dimensions (measurements in mm)



Flow Rates (l/min)

System Pressure (bar)	0.2	0.5	1	2	3	5
PS2 BAS C with flow limiter (MIXED)	1.9	3.3	4.3	5.6	4.9	N/A
PS2 BAS without flow limiter (MIXED)	N/A	5.4	8.7	13.4	17	22.9

TECHNICAL DATA SHEET



BRISTAN

TAPS & SHOWERS