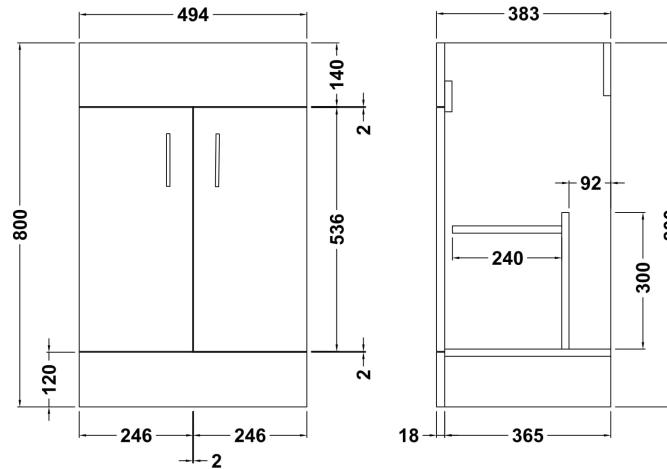


Sales Code: NVM101

Description: 500mm X 385mm Deep Basin Unit



Product Dimensions

Height (mm):	800
Width (mm):	494
Depth (mm):	383
Nett Weight (kg):	20.5

Packaging Dimensions

Height (mm):	410
Width (mm):	535
Depth (mm):	835
Gross Weight (kg):	20.5

Packaging Data

Box Colour:	Brown Cardboard Box - Printed
Box Qty:	1
Label Size:	100 x 50
Label Colour:	Not Applicable
Label Qty:	0

Outer Box Dimensions (If Applicable)

Height (mm):	
Width (mm):	
Depth (mm):	
Gross Weight (kg):	
Barcode:	5055275826676

Product Details

Country of Origin:	United Kingdom
Fitting Instruction:	No
CE & UKCA:	N/A
FSC Certified Materials:	Yes
Colour:	Gloss White
Construction Method:	Cam & Wood Dowel
Construction Type:	Rigid
Cabinet Finish:	MFC Painted Gloss
Fascia Finish:	Mdf Painted Gloss
Cabinet Thickness (mm):	16
Fascia Thickness (mm):	18
Drawer Included:	No
Drawer Type:	Not Applicable
No of Shelves:	1
Hinge Type:	95 Degree Clip-On Soft Close
Hinge Included:	Yes
Adjustable Legs:	No, Not Required
Fixings Included:	No
Handle Style:	Modern
Waste Shroud:	Not Applicable
Handle Included:	Yes
Handle Type:	D-Shape