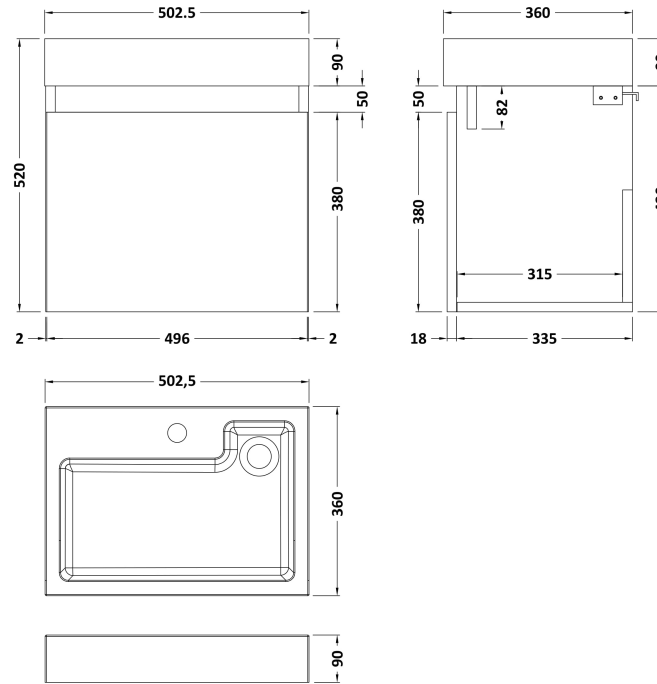


Sales Code: MER005

Description: 500X360 Wh 1-Door Vanity & Basin

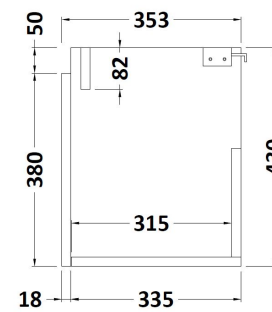
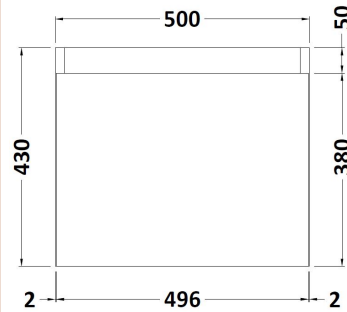


Packaging Details

Barcode: 5056211801184

Sales Code: MOZ682

Description: 500X360 Wh 1-Door Unit



Product Dimensions

Height (mm):	430
Width (mm):	500
Depth (mm):	353
Nett Weight (kg):	10

Packaging Dimensions

Height (mm):	375
Width (mm):	520
Depth (mm):	450
Gross Weight (kg):	11

Packaging Data

Box Colour:	Brown Cardboard Box
Box Qty:	1
Label Size:	50 x 100
Label Colour:	White Label
Label Qty:	2

Outer Box Dimensions (If Applicable)

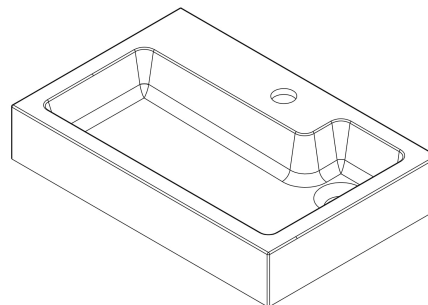
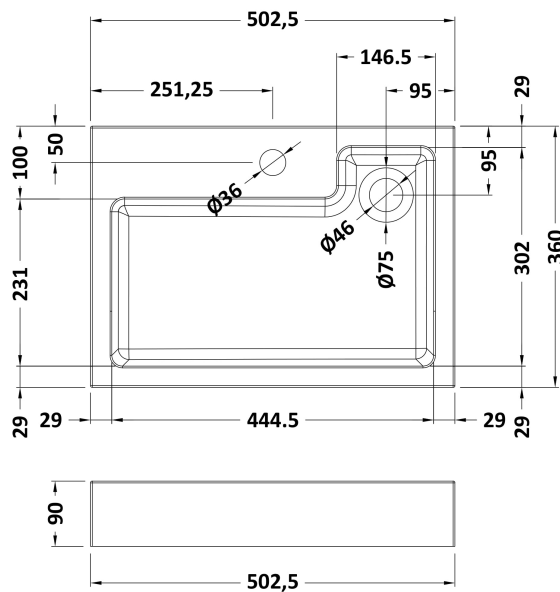
Height (mm):	
Width (mm):	
Depth (mm):	
Gross Weight (kg):	
Barcode:	5055275883662

Product Details

Country of Origin:	United Kingdom
Fitting Instruction:	No
CE & UKCA:	N/A
FSC Certified Materials:	Yes
Colour:	Black Woodgrain
Construction Method:	Cam & Wood Dowel
Construction Type:	Rigid
Cabinet Finish:	MFC Textured Matt
Fascia Finish:	MFC Textured Matt
Cabinet Thickness (mm):	18
Fascia Thickness (mm):	18
Drawer Included:	No
Drawer Type:	Not Applicable
No of Shelves:	0
Hinge Type:	95 Degree Soft Close
Hinge Included:	Yes
Adjustable Legs:	No, Not Required
Fixings Included:	Yes
Handle Style:	Not Applicable
Waste Shroud:	Not Applicable
Handle Included:	No, Not Required
Handle Type:	Not Applicable

Sales Code: PMB022

Description: 2 In 1 Polymarble Basin 503 X 360 Rw



Product Dimensions

Height (mm):	90
Width (mm):	503
Depth (mm):	360
Nett Weight (kg):	11.5

Packaging Dimensions

Height (mm):	110
Width (mm):	525
Depth (mm):	380
Gross Weight (kg):	12

Packaging Data

Box Colour:	Brown Cardboard Box - Printed
Box Qty:	1
Label Size:	100 x 50
Label Colour:	White Label
Label Qty:	2

Outer Box Dimensions (If Applicable)

Height (mm):	
Width (mm):	
Depth (mm):	
Gross Weight (kg):	
Barcode:	5055275819524

Product Details

Country of Origin:	China
Fitting Instruction:	No
Certification: CE & UKCA: No	WRAS: N/A WRAS No: N/A
Product Material:	Polymarble
Fixing Supplied:	No

Pans/Bidets: Trap Style: Not Applicable Includes Seat: Not Applicable

Seats: Seat Type: Not Applicable Material: Not Applicable
Function: Not Applicable Hinge Type: Not Applicable
Hinge Material: Not Applicable

Cisterns: Operating Type: Not Applicable Fittings: Not Applicable
Lever Type: Not Applicable

Basins: Tap Hole: One Taphole Chain Stay Hole: No
Template: Not Required Waste Type Req: Unslotted
Overflow Inc: No Overflow Cover: Not Applicable
Inner Bowl Depth (mm): 70mm