

QD TBAS C

QUADRATO Tap Range

Quadrato Tall Basin Mixer
No Waste Chrome



Specification

Product Type:	Bathroom Taps
Main Construction Material:	Brass
Mount Type:	Deck
Handle Type:	Lever
Connection Inlet:	1/2" BSP Flexible Tails
Connection Outlet:	M24 Aerator
Number of Tap Holes:	1
Valve/Cartridge Type:	35mm Cartridge
Plumbing System Requirements:	All, preferably balanced
Working Pressure Range:	Min: 0.4 bar, Max: 5 bar
Maximum Hot Water Temperature: °C	65
Maximum Static Pressure: (bar)	10
Flow Type:	Single
Isolation Included:	No

Features:

- Long life ceramic cartridge for added durability and ease of use
- Metal fixing nut for added durability
- Flexible tails included
- Minimum working pressure of 0.4 bar

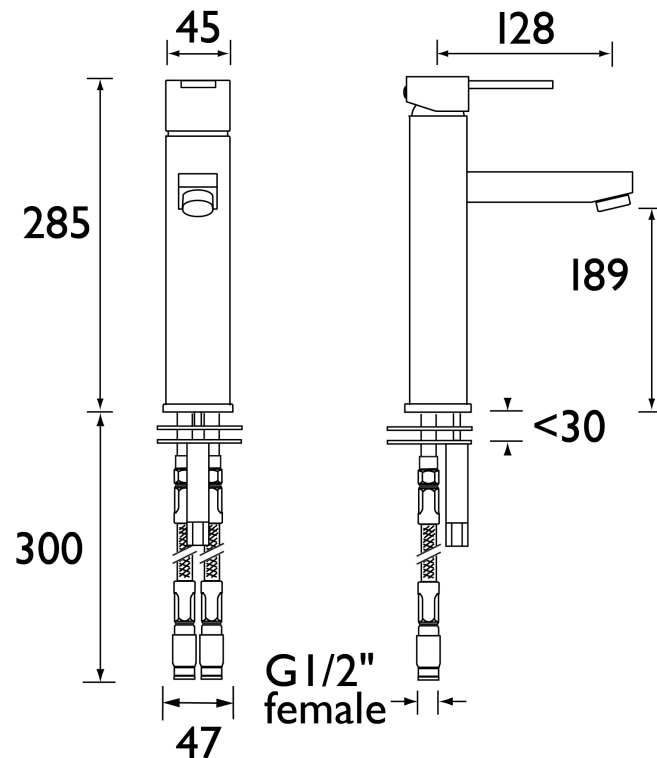
Product Certifications:



For more products, visit our website:
<http://www.bristan.com>



Dimensions (measurements in mm)



Flow Rates (l/min)

System Pressure (bar)	0.4	0.5	1	2	3	5
QD TBAS C	6.7	7.5	10.9	15.6	19.5	25.3

TECHNICAL
DATA
SHEET



BRISTAN

D4