

VT2 BASNW C

VANTAGE Tap Range

Vantage 2 Basin Mixer
without Waste Chrome



Specification

Product Type:	Bathroom Taps
Main Construction Material:	Brass
Mount Type:	Deck
Handle Type:	Single Lever
Connection Inlet:	1/2" BSP Flexible Tails
Connection Outlet:	M24 Aerator
Number of Tap Holes:	1
Valve/Cartridge Type:	35mm Stepped Cartridge
Plumbing System Requirements:	Suitable for all plumbing systems
Working Pressure Range:	Min 0.4 bar, Max 5 bar
Maximum Hot Water Temperature: °C	60
Maximum Static Pressure: (bar)	10
Flow Type:	Single
Isolation Included:	No

Features:

- Long life ceramic cartridge for added durability and ease of use
- Metal fixing nut for added durability
- Complete with flexible tails
- Minimum working pressure of 0.4 bar

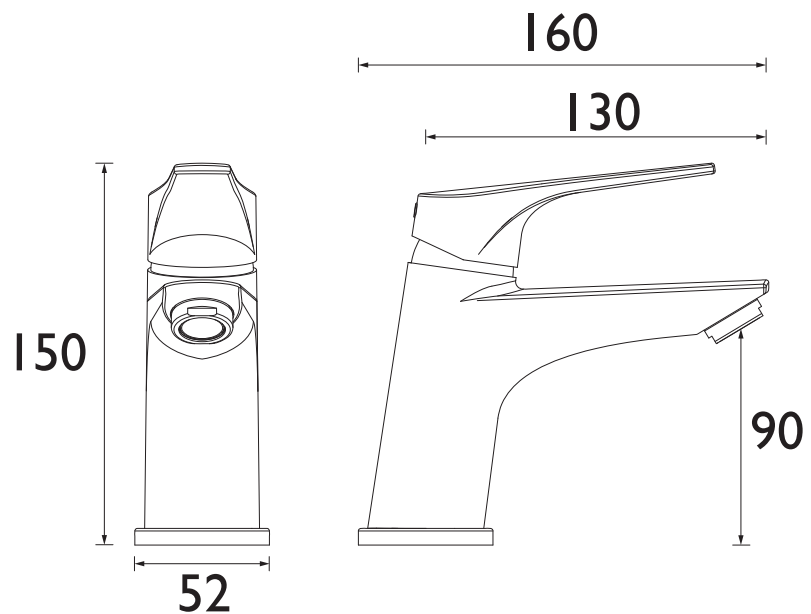
Product Certifications:



For more products, visit our website:
<http://www.bristan.com>



Dimensions (measurements in mm)



Flow Rates (l/min)

System Pressure (bar)	0.4	0.5	1	2	3	5
VT2 BASNW C	5.1	5.3	8	11.6	14.5	18.8

TECHNICAL
DATA
SHEET



BRISTAN
TAPS & SHOWERS

D3