

Technical Datasheet

Product Code: TSS005



Product Description: Nalor Chrome Concealed Thermostatic Shower Set

Specification

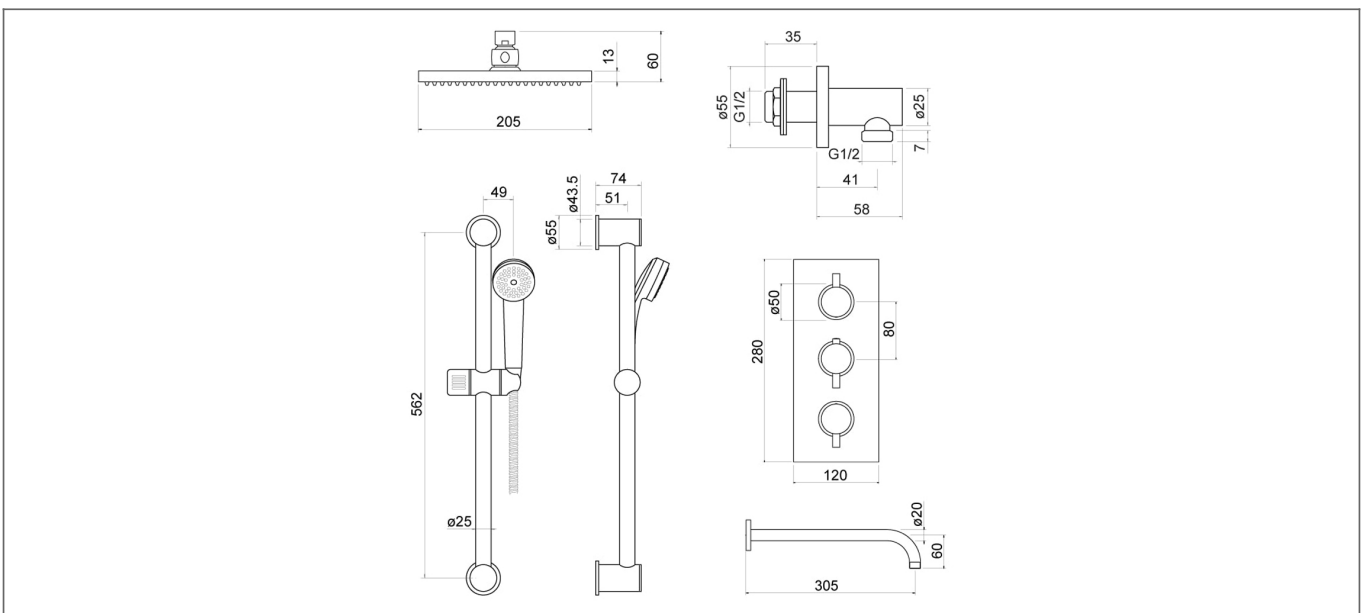
Product Guarantee:	Lifetime
Barcode:	5056474502453
Packaged Weight (kg):	5.714 kg
Material:	Brass
Style:	Modern
Min Operating Pressure:	0.5 Bar
Number Of Outlets:	2
Handle Type:	Knob
Valve Type:	Concealed Thermostatic
Flow Rate 0.1 Bar (L/min):	3.1
Flow Rate 0.5 Bar (L/min):	6.5
Flow Rate 1 Bar (L/min):	8.9
Flow Rate 2 Bar (L/min):	13.7
Flow Rate 3 Bar (L/min):	16.5



Key Features

- Lever handle for smooth operation and precise water control
- Manufactured from high quality brass
- For peace of mind, this product comes with a market leading lifetime guarantee
- High quality, long lasting chrome finish to compliment any style
- Part of our fantastic range of taps & showers available from Trisen

Technical Drawing



Dimensions: All measurements are in millimetres and are subject to normal manufacturing variations.

Due to a continuing development programme to improve design and performance, we reserve all rights to vary specifications without prior notice. Please note, all accessories are for photographic purposes only.