

Technical Datasheet

Product Code: TSS108



Product Description: **Shalma Chrome Exposed Thermostatic Shower Set**

Specification

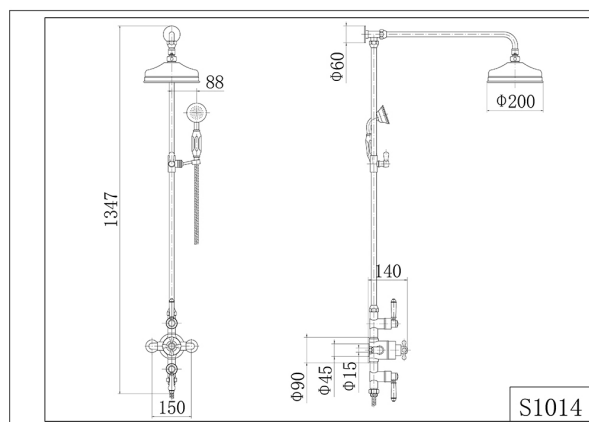
Product Guarantee:	Lifetime
Barcode:	5056474502545
Packaged Weight (kg):	6.715 kg
Material:	Brass
Style:	Traditional
Min Operating Pressure:	0.5 Bar
Number Of Outlets:	2
Handle Type:	Crosshead
Valve Type:	Thermostatic
Flow Rate 0.1 Bar (L/min):	2.3
Flow Rate 0.5 Bar (L/min):	5.6
Flow Rate 1 Bar (L/min):	9.1
Flow Rate 2 Bar (L/min):	12.6
Flow Rate 3 Bar (L/min):	16.4



Key Features

- Lever handle for smooth operation and precise water control
- Manufactured from high quality brass
- For peace of mind, this product comes with a market leading lifetime guarantee
- High quality, long lasting chrome finish to compliment any style
- Part of our fantastic range of taps & showers available from Trisen

Technical Drawing



Dimensions: All measurements are in millimetres and are subject to normal manufacturing variations.

Due to a continuing development programme to improve design and performance, we reserve all rights to vary specifications without prior notice. Please note, all accessories are for photographic purposes only.