

Technical Datasheet

Product Code: TK015BN



Product Description: Trisen Rouné Two Handle Sink Mixer BN

Specification

| | |
|----------------------------|------------------------|
| Product Guarantee: | Lifetime |
| Material: | Brass |
| Handle Type: | Lever |
| Tap Pressure: | Medium - High Pressure |
| Min Operating Pressure: | 1 Bar |
| Waste Included: | No |
| Number Of Tap Holes: | 1 |
| Projection (mm): | 249 |
| Flow Rate 0.1 Bar (L/min): | 4.5 |
| Flow Rate 0.5 Bar (L/min): | 7 |
| Flow Rate 1 Bar (L/min): | 9.7 |
| Flow Rate 2 Bar (L/min): | 13.5 |
| Flow Rate 3 Bar (L/min): | 16.6 |
| Flow Rate 4 Bar (L/min): | 14.5 |
| Flow Rate 5 Bar (L/min): | 16.3 |
| Colour: | Brushed Nickel |



Key Features

- Lever handle for smooth operation and precise water control
- Manufactured from high quality brass
- For peace of mind, this product comes with a market leading lifetime guarantee
- High quality, long lasting chrome finish to compliment any style
- Part of our fantastic range of taps & showers available from Trisen
- Complete with ½" flexible tails

Dimensions: All measurements are in millimetres and are subject to normal manufacturing variations.

Due to a continuing development programme to improve design and performance, we reserve all rights to vary specifications without prior notice. Please note, all accessories are for photographic purposes only.

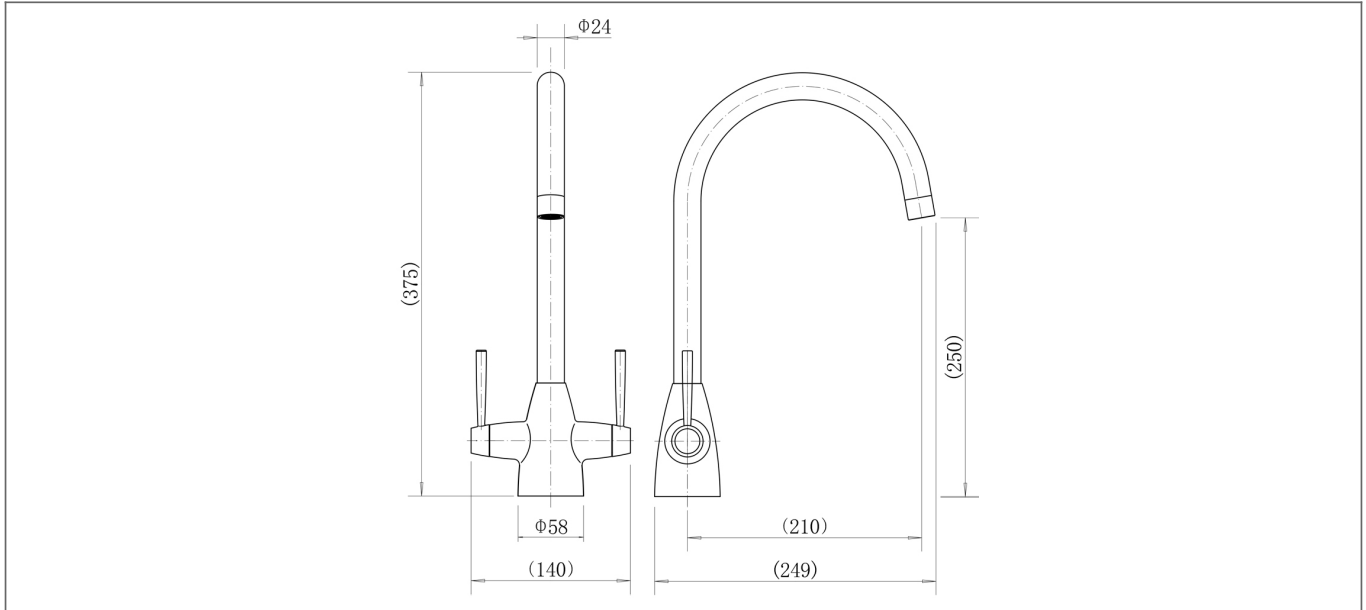
Technical Datasheet

Product Code: TK015BN



Product Description: Trisen Rouné Two Handle Sink Mixer BN

Technical Drawing



Dimensions: All measurements are in millimetres and are subject to normal manufacturing variations.

Due to a continuing development programme to improve design and performance, we reserve all rights to vary specifications without prior notice. Please note, all accessories are for photographic purposes only.