

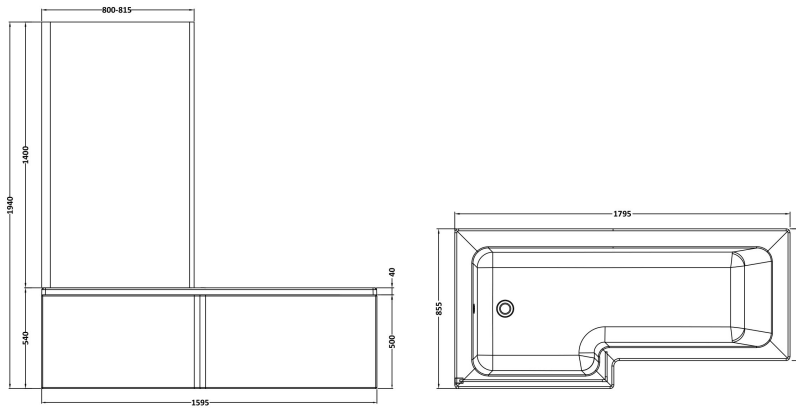
Sales Code: SBATH15

Description: 1800 Sq S/Bath Pack Lh (5mm L Screen)



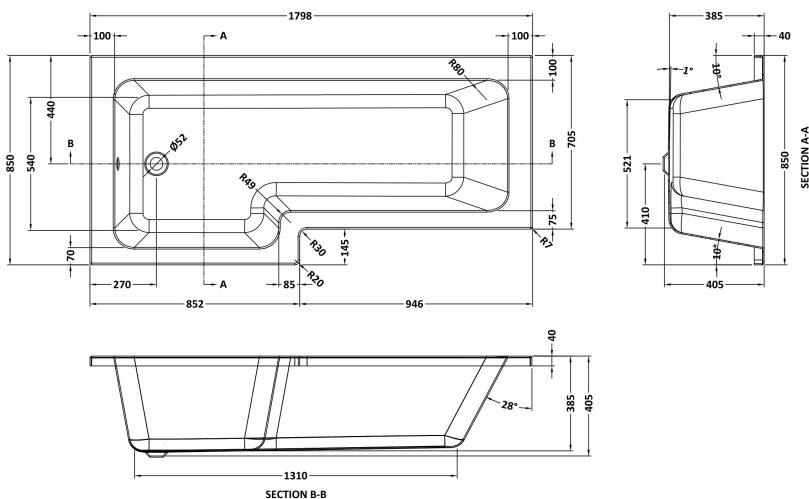
Packaging Details

Barcode: 5056678459799



Sales Code: NSK801S

Description: L Shape Shower Bath & Legs 1800X850 Lh



Product Dimensions

| | |
|-------------------|------|
| Length (mm): | 1800 |
| Width (mm): | 850 |
| Depth (mm): | 390 |
| Nett Weight (kg): | 27 |

Packaging Dimensions

| | |
|--------------------|------|
| Length (mm): | 1800 |
| Width (mm): | 850 |
| Depth (mm): | 425 |
| Gross Weight (kg): | 27 |

Packaging Data

| | |
|---------------|------------------------|
| Box Colour: | Brown Cardboard Sleeve |
| Box Qty: | 1 |
| Label Size: | 300 x 35 |
| Label Colour: | White Label |
| Label Qty: | 2 |

Outer Box Dimensions (If Applicable)

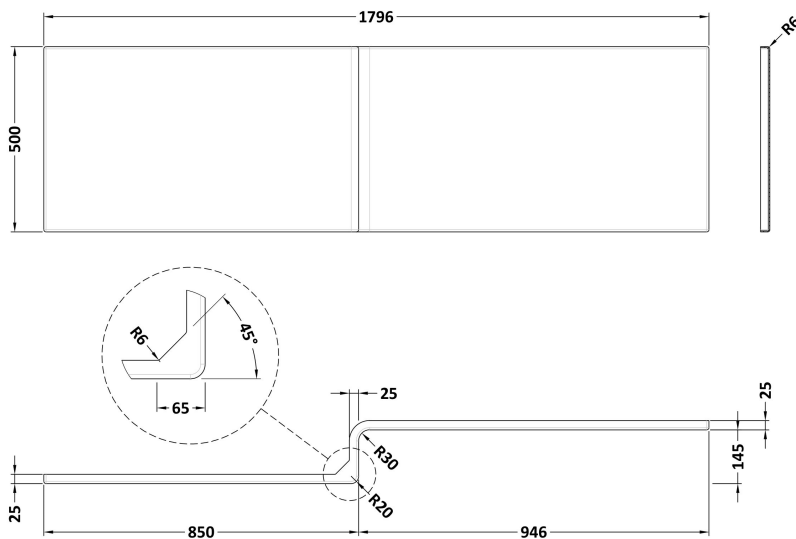
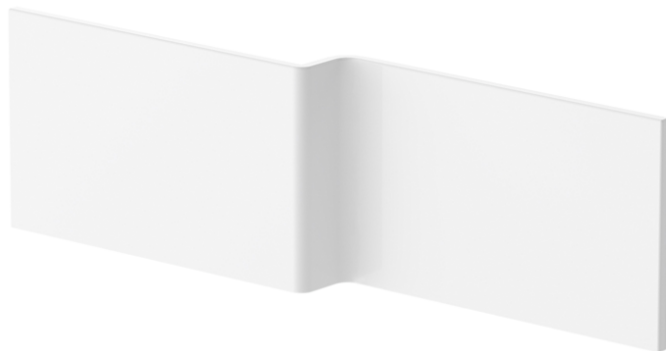
| | |
|--------------------|---------------|
| Length (mm): | |
| Width (mm): | |
| Height (mm): | |
| Gross Weight (kg): | |
| Barcode: | 5056678435649 |

Product Details

| | |
|----------------------------|---------------------|
| Country of Origin: | Egypt |
| Fitting Instruction: | No |
| Certification: | FSC: CE & UKCA: Yes |
| Material Colour Reference: | European White |
| Product Material: | Acrylic |
| Material Thickness: | 4mm |
| Volume (Ltr): | 235L |
| Displaced Capacity: | 165L |
| Leg Set Included: | Legset Not Included |
| Waste Included: | Waste Not Included |
| Drilled/Undrilled: | Undrilled For Taps |
| Includes Grips: | No Grips Supplied |
| Embossed: | No |
| No of Tapholes: | None |
| Anti-Slip: | No |

Sales Code: WBS304

Description: 1800 L Shower Bath Front Panel



Product Dimensions

| | |
|-------------------|------|
| Length (mm): | 1795 |
| Width (mm): | 500 |
| Depth (mm): | 167 |
| Nett Weight (kg): | 3.4 |

Packaging Dimensions

| | |
|--------------------|------|
| Length (mm): | 1720 |
| Width (mm): | 515 |
| Depth (mm): | 35 |
| Gross Weight (kg): | 3.4 |

Packaging Data

| | |
|---------------|--------------------------|
| Box Colour: | Polybagged With End Caps |
| Box Qty: | 1 |
| Label Size: | 300 x 35 |
| Label Colour: | White Label |
| Label Qty: | 1 |

Outer Box Dimensions (If Applicable)

| | |
|--------------------|---------------|
| Length (mm): | |
| Width (mm): | |
| Height (mm): | |
| Gross Weight (kg): | |
| Barcode: | 5056678435717 |

Product Details

| | |
|----------------------------|-----------------|
| Country of Origin: | Turkey |
| Fitting Instruction: | No |
| Certification: | FSC: CE & UKCA: |
| Material Colour Reference: | European White |
| Product Material: | Acrylic |
| Material Thickness: | 2mm |
| Volume (Ltr): | N/A |
| Displaced Capacity: | N/A |
| Leg Set Included: | Not Applicable |
| Waste Included: | Not Applicable |
| Drilled/Undrilled: | Not Applicable |
| Includes Grips: | Not Applicable |
| Embossed: | Not Applicable |
| No of Tapholes: | Not Applicable |
| Anti-Slip: | Not Applicable |

Sales Code: NSBS2

Description: Sq Fixed Screen, Fixed Return (6)



Product Dimensions

| | |
|-------------------|------|
| Height (mm): | 1435 |
| Width (mm): | 805 |
| Depth (mm): | 38 |
| Nett Weight (kg): | 18 |

Packaging Dimensions

| | |
|--------------------|------|
| Height (mm): | 55 |
| Width (mm): | 810 |
| Length (mm): | 1460 |
| Gross Weight (kg): | 18.7 |

Packaging Data

| | |
|---------------|-------------------------------|
| Box Colour: | Brown Cardboard Box - Printed |
| Box Qty: | 1 |
| Label Size: | 140 x 30 |
| Label Colour: | Not Applicable |
| Label Qty: | 0 |

Outer Box Dimensions (If Applicable)

| | |
|--------------------|---------------|
| Height (mm): | |
| Width (mm): | |
| Depth (mm): | |
| Length (mm): | |
| Gross Weight (kg): | |
| Barcode: | 5055369001071 |

Product Details

| | |
|-----------------------|--------------------------|
| Country of Origin: | China |
| Fitting Instruction: | No |
| CE & UKCA: | Yes |
| Profile Material: | Aluminium |
| Profile Finish: | Polished Chrome |
| Adjustments (mm): | 800mm - 815mm |
| Entry Width (mm): | N/A |
| Swing In Dim (mm): | N/A |
| Swing Out Dim (mm): | N/A |
| Radius (mm): | Not Applicable |
| Glass Thickness (mm): | 6 |
| Easy Fit: | No |
| Easy Clean: | No |
| Handle Style: | Not Applicable |
| Handle Material: | Not Applicable |
| Enclosure Design: | Frameless |
| Wheel Type: | Not Applicable |
| Support Bar Included: | Support Bar Not Included |
| Extras: | None |