

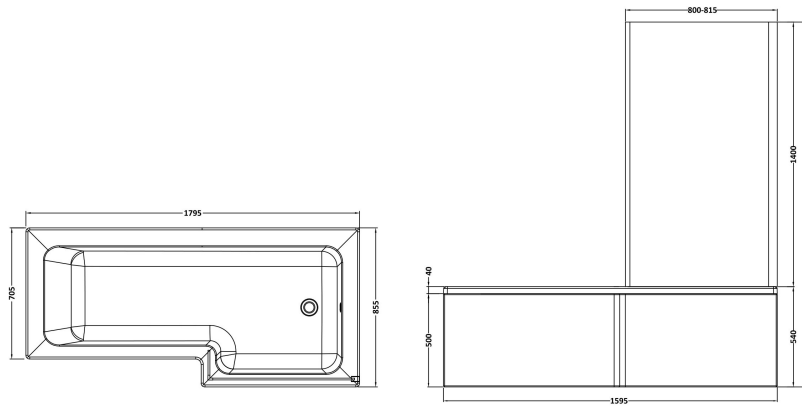
**Sales Code:** SBATH16

**Description:** 1800 Sq S/Bath Pack Rh (5mm L Screen)



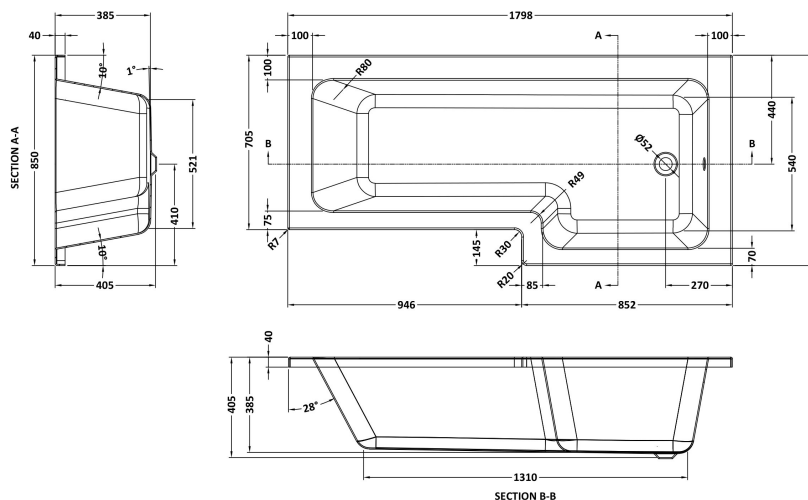
**Packaging Details**

Barcode: 5056678459805



**Sales Code:** NSK802S

**Description:** L Shape Shower Bath & Legs 1800X850 Rh



**Product Dimensions**

Length (mm):	1800
Width (mm):	850
Depth (mm):	390
Nett Weight (kg):	27

**Packaging Dimensions**

Length (mm):	1800
Width (mm):	850
Depth (mm):	425
Gross Weight (kg):	27

**Packaging Data**

Box Colour:	Brown Cardboard Sleeve
Box Qty:	1
Label Size:	300 x 35
Label Colour:	White Label
Label Qty:	2

**Outer Box Dimensions (If Applicable)**

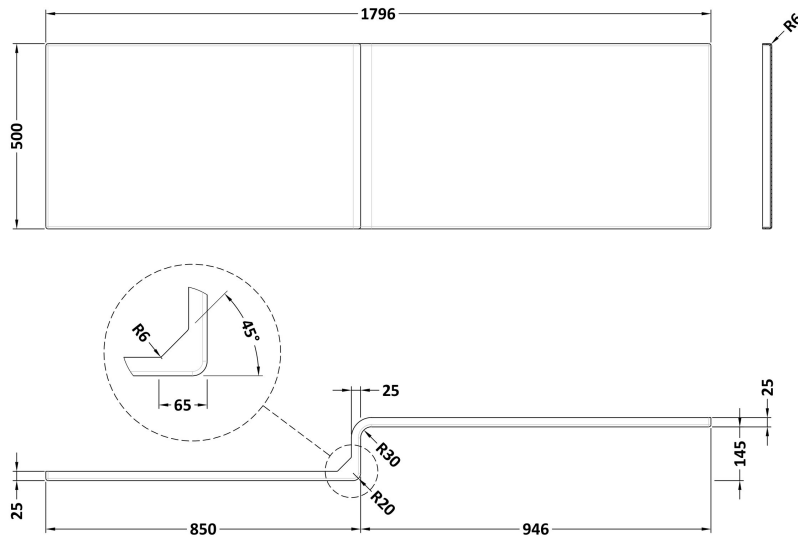
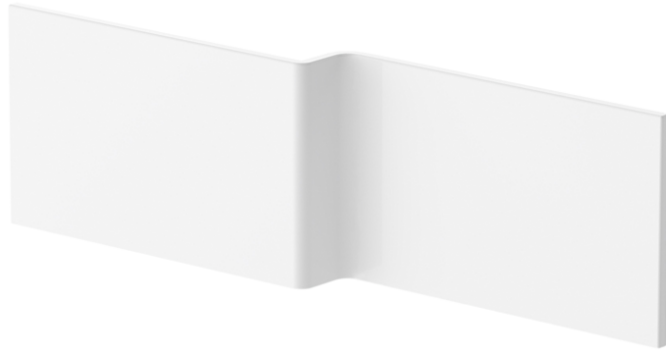
Length (mm):	
Width (mm):	
Height (mm):	
Gross Weight (kg):	
Barcode:	5056678435656

**Product Details**

Country of Origin:	Egypt
Fitting Instruction:	No
Certification:	FSC: CE & UKCA: Yes
Material Colour Reference:	European White
Product Material:	Acrylic
Material Thickness:	4mm
Volume (Ltr):	235L
Displaced Capacity:	165L
Leg Set Included:	Legset Not Included
Waste Included:	Waste Not Included
Drilled/Undrilled:	Undrilled For Taps
Includes Grips:	No Grips Supplied
Embossed:	No
No of Tapholes:	None
Anti-Slip:	No

**Sales Code:** WBS304

**Description:** 1800 L Shower Bath Front Panel



**Product Dimensions**

Length (mm):	1795
Width (mm):	500
Depth (mm):	167
Nett Weight (kg):	3.4

**Packaging Dimensions**

Length (mm):	1720
Width (mm):	515
Depth (mm):	35
Gross Weight (kg):	3.4

**Packaging Data**

Box Colour:	Polybagged With End Caps
Box Qty:	1
Label Size:	300 x 35
Label Colour:	White Label
Label Qty:	1

**Outer Box Dimensions (If Applicable)**

Length (mm):	
Width (mm):	
Height (mm):	
Gross Weight (kg):	
Barcode:	5056678435717

**Product Details**

Country of Origin:	Turkey
Fitting Instruction:	No
Certification:	FSC: CE & UKCA:
Material Colour Reference:	European White
Product Material:	Acrylic
Material Thickness:	2mm
Volume (Ltr):	N/A
Displaced Capacity:	N/A
Leg Set Included:	Not Applicable
Waste Included:	Not Applicable
Drilled/Undrilled:	Not Applicable
Includes Grips:	Not Applicable
Embossed:	Not Applicable
No of Tapholes:	Not Applicable
Anti-Slip:	Not Applicable

Sales Code: NSBS2

Description: Sq Fixed Screen, Fixed Return (6)



**Product Dimensions**

Height (mm):	1435
Width (mm):	805
Depth (mm):	38
Nett Weight (kg):	18

**Packaging Dimensions**

Height (mm):	55
Width (mm):	810
Length (mm):	1460
Gross Weight (kg):	18.7

**Packaging Data**

Box Colour:	Brown Cardboard Box - Printed
Box Qty:	1
Label Size:	140 x 30
Label Colour:	Not Applicable
Label Qty:	0

**Outer Box Dimensions (If Applicable)**

Height (mm):	
Width (mm):	
Depth (mm):	
Length (mm):	
Gross Weight (kg):	
Barcode:	5055369001071

**Product Details**

Country of Origin:	China
Fitting Instruction:	No
CE & UKCA:	Yes
Profile Material:	Aluminium
Profile Finish:	Polished Chrome
Adjustments (mm):	800mm - 815mm
Entry Width (mm):	N/A
Swing In Dim (mm):	N/A
Swing Out Dim (mm):	N/A
Radius (mm):	Not Applicable
Glass Thickness (mm):	6
Easy Fit:	No
Easy Clean:	No
Handle Style:	Not Applicable
Handle Material:	Not Applicable
Enclosure Design:	Frameless
Wheel Type:	Not Applicable
Support Bar Included:	Support Bar Not Included
Extras:	None