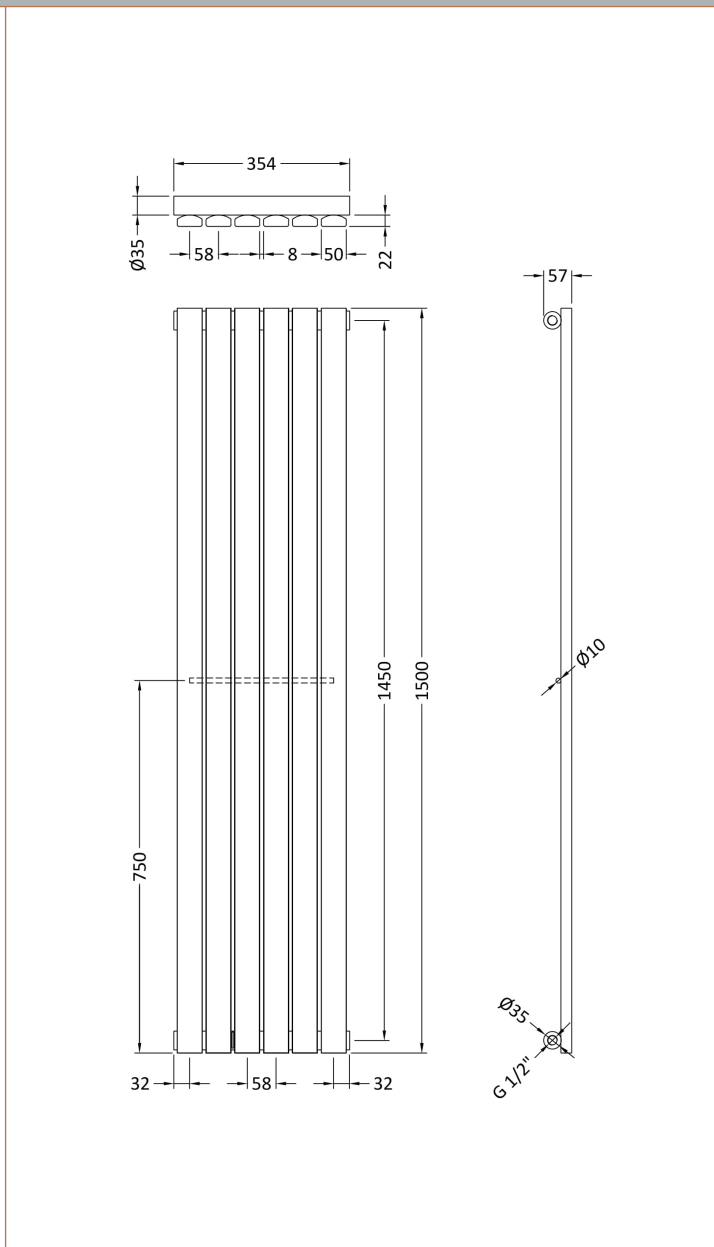


Sales Code: HLW41

Description: Sloane Single Panel Radiator 1500X354



Product Dimensions

Height (mm):	1500
Width (mm):	354
Depth (mm):	57
Length (mm):	
Nett Weight (kg):	19.15

Packaging Dimensions

Height (mm):	75
Width (mm):	410
Length (mm):	1580
Gross Weight (kg):	19.15

Packaging Data

Box Colour:	White Cardboard Shrinkwrapped
Box Qty:	1
Label Size:	100 x 50
Label Colour:	White Label
Label Qty:	2

Outer Box Dimensions (If Applicable)

Height (mm):	
Width (mm):	
Length (mm):	
Gross Weight (kg):	
Barcode:	5055146192169

Product Details

Country of Origin:	China		
Fitting Instruction:	No		
Certification:	CE & UKCA: Yes	RoHS: N/A	WEEE: N/A
Colour/Finish:	White		
RAL No:	9016		
Product Material:	Steel		
Heat Element Wattage:	Not Applicable		
Heating Element Wattage Compatible:	N/A		
BTU Outputs:	30°C / 1051	50°C / 2041	60°C / 2585
Thermal Outputs: (Watts)	30°C / 308	50°C / 598	60°C / 758
Pipe Centres - If Vertical:	444mm		
Pipe Centres - If Horizontal:	N/A		
Max Projection:	80mm		
Tube Diameter:	N/A		
Packaging Volume (L):			
Wall to Centre of Tappings:	N/A		
Floor to Centre of Tappings:	85		
Dual Fuel:	N/A		
IP Rating:			