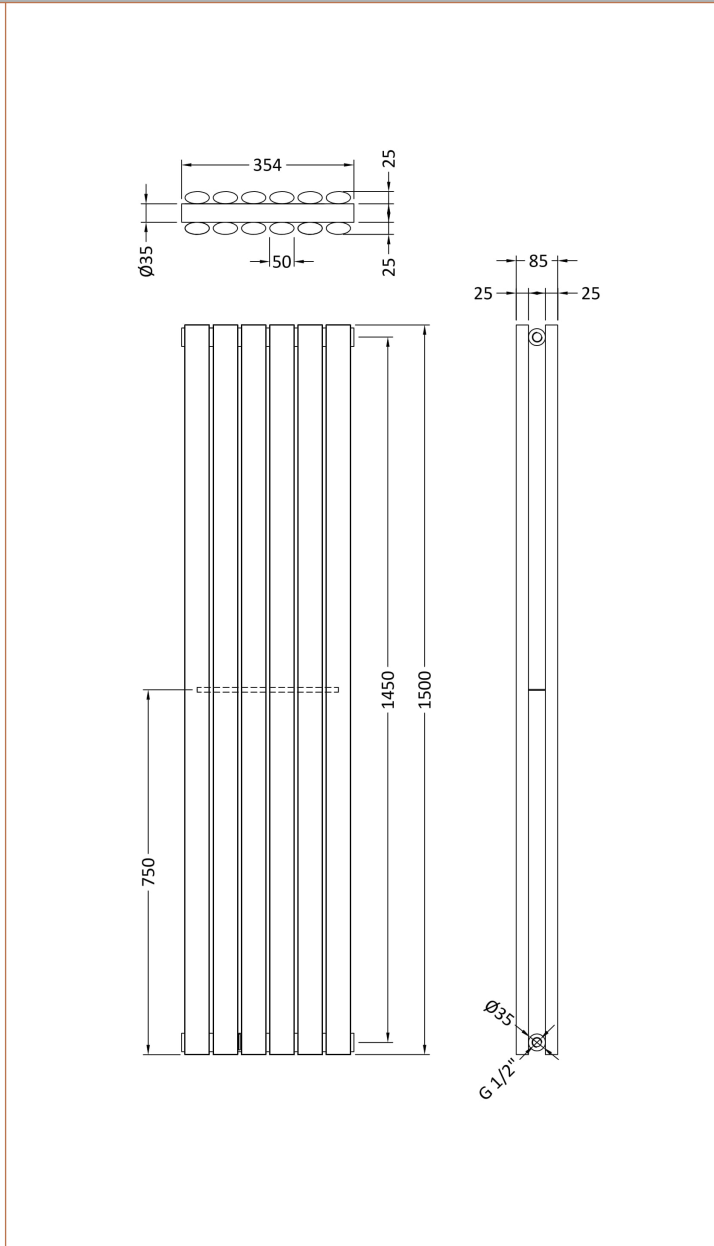


Sales Code: HLA76

Description: Revive Double Panel Radiator 1500X354



Product Dimensions

Height (mm):	1500
Width (mm):	354
Depth (mm):	85
Length (mm):	
Nett Weight (kg):	25.62

Packaging Dimensions

Height (mm):	105
Width (mm):	415
Length (mm):	1565
Gross Weight (kg):	28

Packaging Data

Box Colour:	White Cardboard Shrinkwrapped
Box Qty:	1
Label Size:	100 x 50
Label Colour:	White Label
Label Qty:	2

Outer Box Dimensions (If Applicable)

Height (mm):	
Width (mm):	
Length (mm):	
Gross Weight (kg):	
Barcode:	5055146195658

Product Details

Country of Origin:	China		
Fitting Instruction:	No		
Certification:	CE & UKCA: Yes	RoHS: N/A	WEEE: N/A
Colour/Finish:	Anthracite		
RAL No:	7016		
Product Material:	Steel		
Heat Element Wattage:	Not Applicable		
Heating Element Wattage Compatible:	N/A		
BTU Outputs:	30°C / 1601	50°C / 3099	60°C / 3926
Thermal Outputs: (Watts)	30°C / 469	50°C / 908	60°C / 1150
Pipe Centres - If Vertical:	430mm		
Pipe Centres - If Horizontal:	1455mm		
Max Projection:			
Tube Diameter:	N/A		
Packaging Volume (L):	60		
Wall to Centre of Tappings:	N/A		
Floor to Centre of Tappings:	65		
Dual Fuel:	N/A		
IP Rating:			