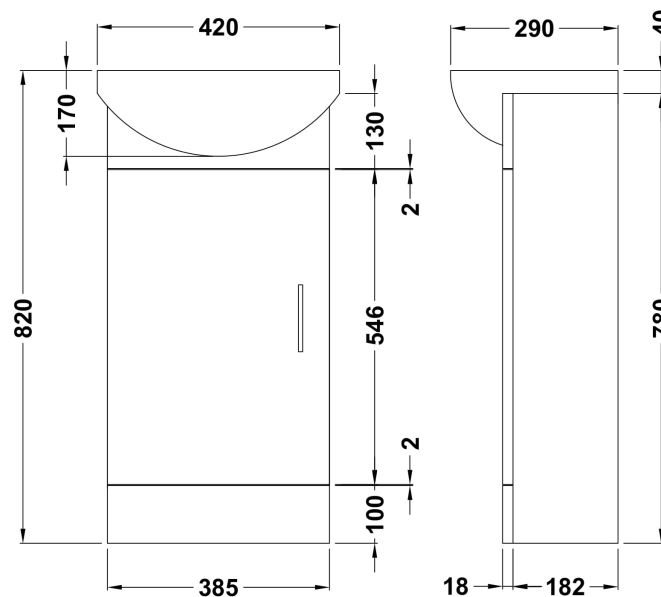
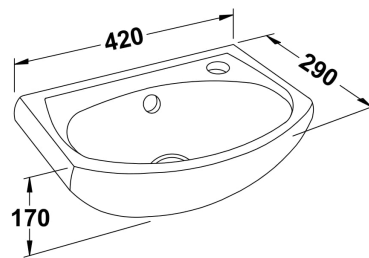


Sales Code: NVS100

Description: 400 Gloss White Unit & Basin



### Product Dimensions

|                   |       |
|-------------------|-------|
| Height (mm):      | 780   |
| Width (mm):       | 400   |
| Depth (mm):       | 200   |
| Nett Weight (kg): | 17.14 |

### Packaging Dimensions

|                    |       |
|--------------------|-------|
| Height (mm):       | 810   |
| Width (mm):        | 230   |
| Depth (mm):        | 400   |
| Gross Weight (kg): | 17.14 |

### Packaging Data

|               |                               |
|---------------|-------------------------------|
| Box Colour:   | Brown Cardboard Box - Printed |
| Box Qty:      | 1                             |
| Label Size:   | 100 x 50                      |
| Label Colour: | Not Applicable                |
| Label Qty:    | 0                             |

### Outer Box Dimensions (If Applicable)

|                    |               |
|--------------------|---------------|
| Height (mm):       |               |
| Width (mm):        |               |
| Depth (mm):        |               |
| Gross Weight (kg): |               |
| Barcode:           | 5055369001880 |

### Product Details

|                          |                              |
|--------------------------|------------------------------|
| Country of Origin:       | China                        |
| Fitting Instruction:     | No                           |
| CE & UKCA:               | No                           |
| FSC Certified Materials: | Yes                          |
| Colour:                  | Gloss White                  |
| Construction Method:     | Cam & Wood Dowel             |
| Construction Type:       | Rigid                        |
| Cabinet Finish:          | MFC Painted Gloss            |
| Fascia Finish:           | Mdf Painted Gloss            |
| Cabinet Thickness (mm):  | 16                           |
| Fascia Thickness (mm):   | 18                           |
| Drawer Included:         | No                           |
| Drawer Type:             | Not Applicable               |
| No of Shelves:           | 1                            |
| Hinge Type:              | 95 Degree Clip-On Soft Close |
| Hinge Included:          | Yes                          |
| Adjustable Legs:         | No                           |
| Fixings Included:        | No                           |
| Handle Style:            | Modern                       |
| Waste Shroud:            | No                           |
| Handle Included:         | Yes                          |
| Handle Type:             | Bar                          |