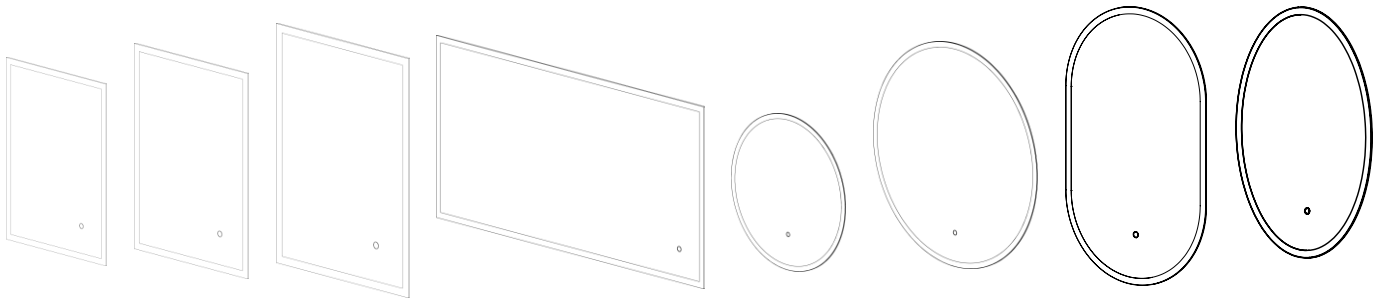


Technical Data Sheet

BETA



Box Contents:

Beta Mirror | 2x wall plugs | 2x screws | Instructions booklet

Materials

Frame Material: Extruded Aluminium

Glass: 5mm PVC Backed

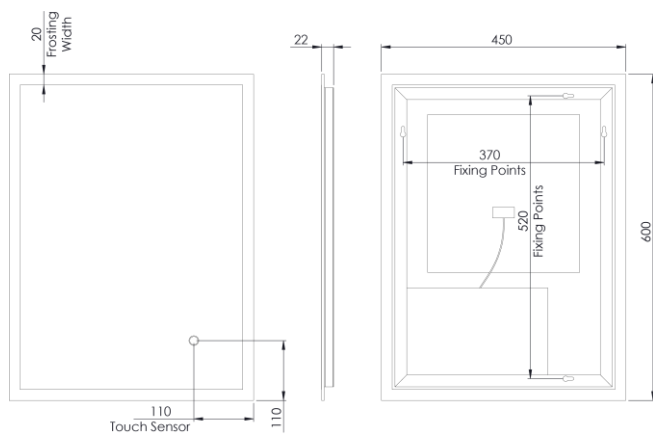
FAQ's:	Units	BTM045	BTM050	BTM060	BTM120	BTM60C	BTM80C	BTM50P	BTM50V
Why are the lights not switching on?	-	Please note: After the mirror is connected to power for the first time, it may take up to 5 minutes for the sensor to calibrate and become fully responsive.							
Can the mirror be hung landscape?	-	Yes			No		Yes	No	
What is the thickness of the mirror glass?	mm	5							
Is the mirror IP44 rated?	-	Yes – Suitable for use in bathroom zone 2							
What size fuse should I use?	-	Seek the advice of an electrician							
What is the total power consumption?	W	33.5	38	48	76	30	45	29.3	26.4
Does the mirror have an energy rating?	-	Yes – It has an energy rating of: F							
What is the colour of the light and the Kelvin rating?	K	3000 - 6500							
What is the Lumen of the LEDs?*	Lms	5220	6120	7200	9540	4770	6570	2790	2385
What is the wattage of the lights?	W	21.5	25	29	39	19	26	20.3	17.4
Where is the IR sensor/rocker switch located?	-	Lower Right				Centre front			
Can the LED lighting be replaced?	-	No							
Can the touch sensor be replaced?	-	Yes							
What is the output of the demister pad?	W	12	13	19	37	11	19	9	9
What are the dimensions of the demister pad? (L x W)	mm	290 x 280	350 x 250	450 x 270	750 x 300	200 x 300	250 x 300	200 x 250	200 x 250
How do I turn on the demister pad?	-	The demister pad will turn on when the LEDs are turned on.							
Are illuminated mirrors supplied with mains cable?	-	All illuminated mirrors are supplied with a removeable 500mm mains cable. There is ample storage for excess cable in the back of the unit.							

Dimensions are subject to change; customers are advised to measure actual product before commencing installation.

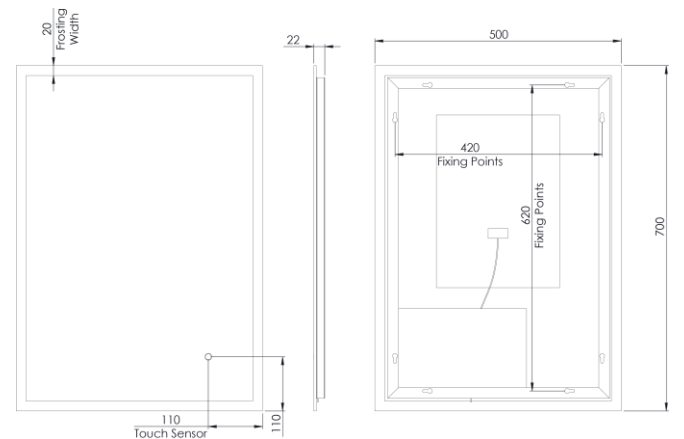
Fixing point dimensions are for guidance only/the positions of wall fixing must be checked when product is received.

*The Lumen represents the output of the LED. This may vary depending on the diffuser material i.e., glass or acrylic.

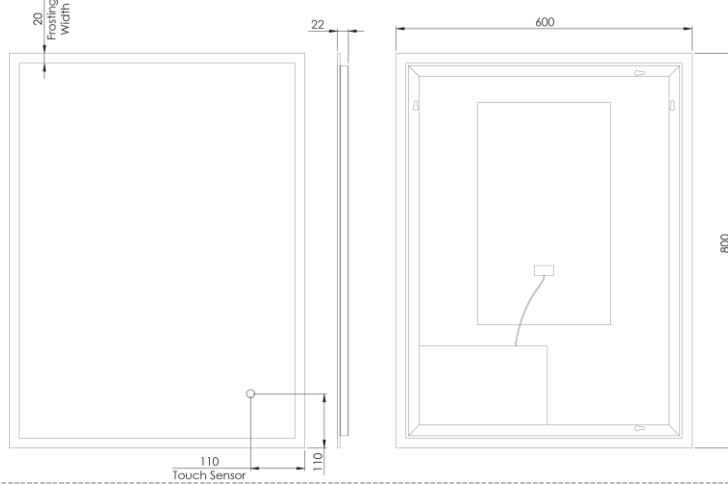
BTM045



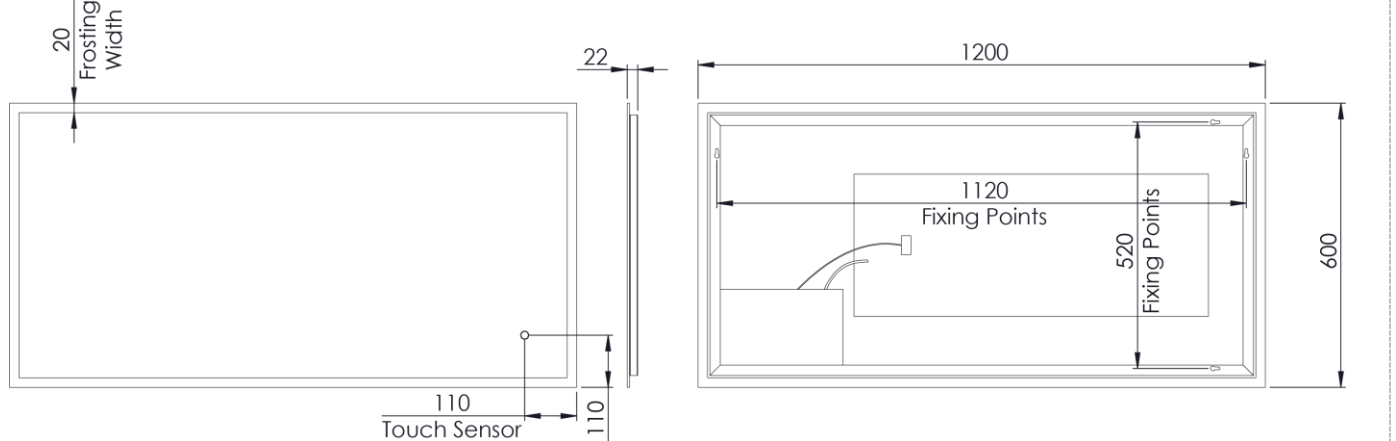
BTM050



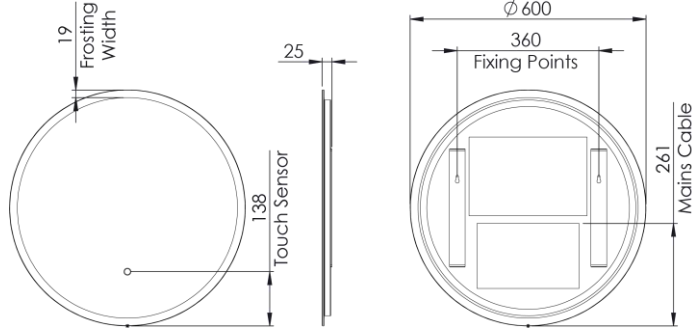
BTM060



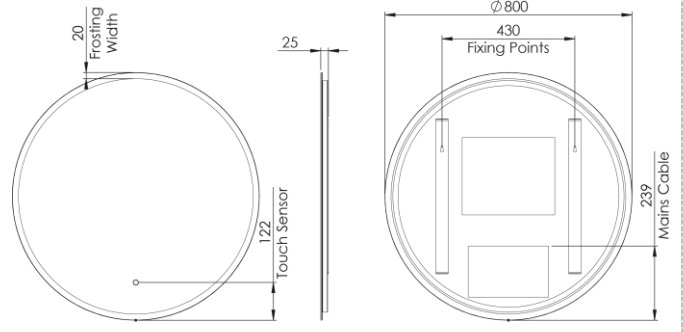
BTM120



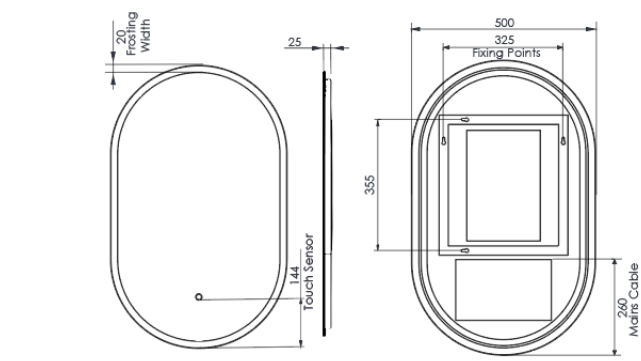
BTM60C



BTM80C



BTM50P



BTM50V

