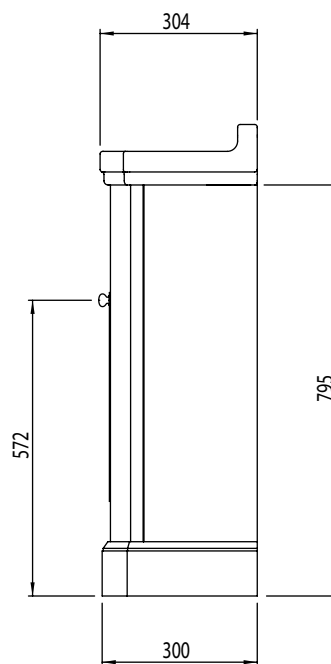
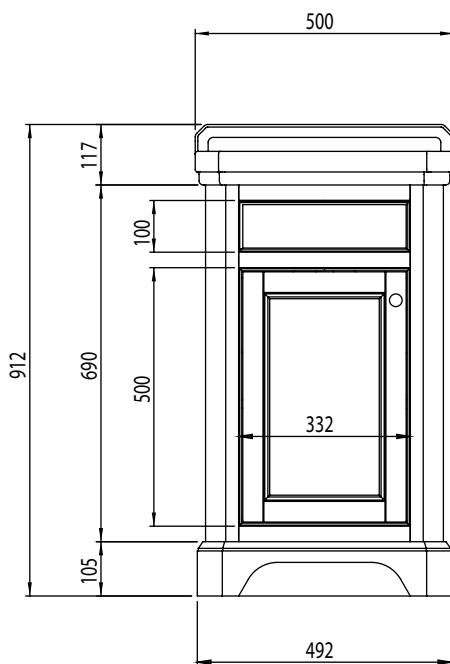


# Technical Data Sheet

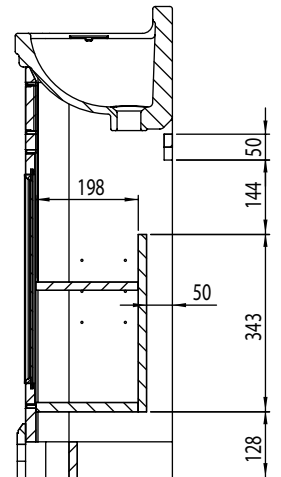
## VITORIA 500mm Cloakroom Unit

Whats in the box: 1x VT50FX + Fixings

**TAVISTOCK**  
inspiring bathrooms



\*Reference basin TDS for further info



Diagrams not to scale  
All dimensions in mm  
tolerance of +/-5mm

### Materials

Carcass: 16mm Painted Pine and MDF

Fascia Components: 20mm Painted Pine and MDF

\*\*Dimensions are subject to change, customers are advised to measure actual product before commencing installation.

\*\*\*Fixing point dimensions are for guidance only/the positions of wall fixing must be checked when product is received.

### FAQs

Q: How big is the plumbing void?

A: 50mm

Q: Are the handles fitted?

A: No, handles need to be fitted.

Q: Can I use different handles?

A: Yes, extra handle hole centres can be drilled by the fitter.

Q: Are the hinges soft close?

A: The hinges are both soft close and quick release.

Q: How deep is the unit with door open?

A: Approx depth with 90° hinge 630mm.

Q: Can the doors be adjusted?

A: The door can be adjusted as detailed in the supplied instructions

Q: Is the shelf removable?

A: Yes, there is one removable shelf.

Q: What is the shelf capacity?

A: Shelf max depth: 198mm.

Q: How many shelves are there?

A: There is one shelf and a base within the unit.

Q: Is the shelf adjustable?

A: Yes, the shelf is adjustable.

Q: What is the interior finish of the unit?

A: The unit interior is the same finish as the exterior.

Q: Can the door be reversed?

A: Yes, the unit is supplied with LH hinge but inserts allow for RH hinge.

NOTE: Colours unique to Tavistock - No RAL Code available