

TECHNICAL DATA SHEET

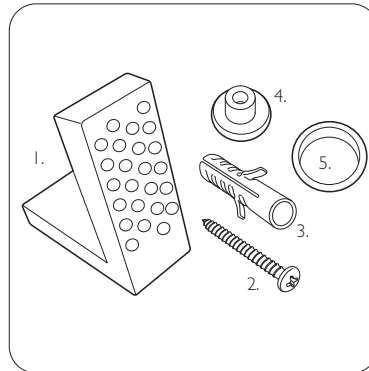
Structure Closed Coupled Open Back WC

TAVISTOCK

NO.	Description	Product Code	Fixings included	Gross Weight
1	Close Coupled Cistern	C450S	YES	13KG
2	Soft Close Toilet Seat	TS450S	YES	3KG
3	Open Back WC	P450S	YES	24KG



Floor Fixings

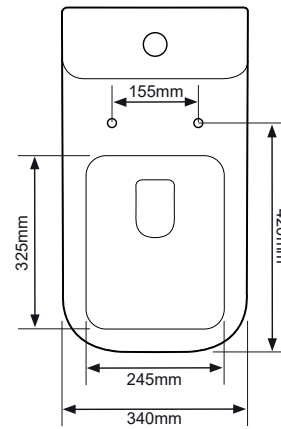
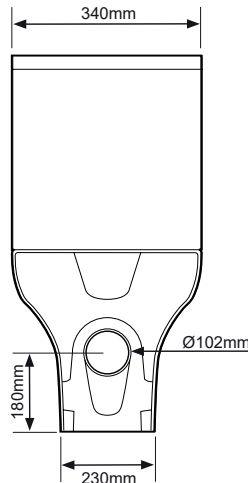
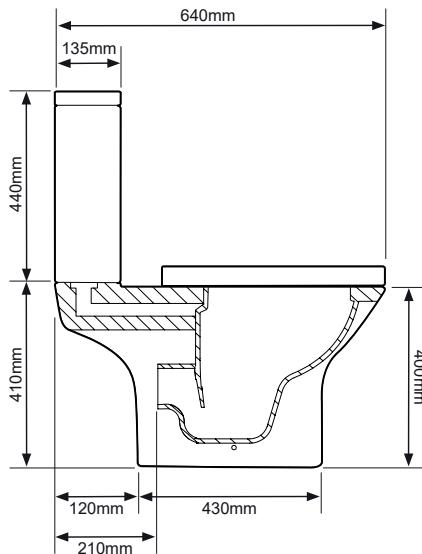


- 1. 2x Nylon Floor Bracket
- 2. 4x Stainless Steel Screws
- 3. 2x Nylon Screw Plugs
- 4. 2x Nylon Screw Collars
- 5. 2x Nylon Collar Caps (Metalic Finish)

Spare Code: SP14211

DIMENSIONS

DIAGRAMS NOT TO SCALE | ALL DIMENSIONS IN MM TOLERANCE OF ± 5MM
ALL PRODUCTS CONFORM TO BRITISH STANDARDS



*Dimensions are subject to change, customers are advised to measure actual product before commencing installation.
**Fixing point dimensions are for guidance only. The positions of fixings must be checked when product is received.

FAQs

Q - Where is the inlet valve?
A - Bottom inlet, back right of the pan.

Q - What is the flush volume?
A - 4.5/3L

Q - Can this pan be used with a side connection outlet pipe?
A - Yes..

Q - Are there any other compatible seats?
A - Yes, TS451S Structure Slim Seat

Q - Rim type?
A - Box rim

Key Dimensions Descriptions	Key Dimensions (mm)
Front to Back Footprint	430mm
Left to Right Footprint	230mm
Bowl Front to Back	325mm
Bowl Left to Right	245mm
Pan Height (+Cistern)	400mm (850mm)
Pan Overall Front to Back	640mm
Centre Waste Outlet to Floor	180mm
Width of Void	155mm
Is there a Ceramic Brace Bar	No
Distance from Spigot to back of Pan	195mm