

# TECHNICAL DATA SHEET

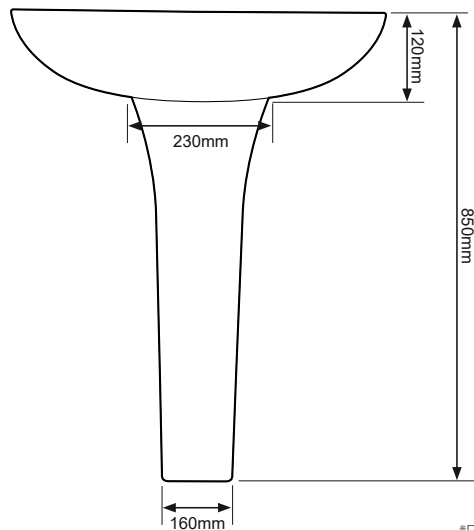
Structure Basin and Pedestal

# TAVISTOCK

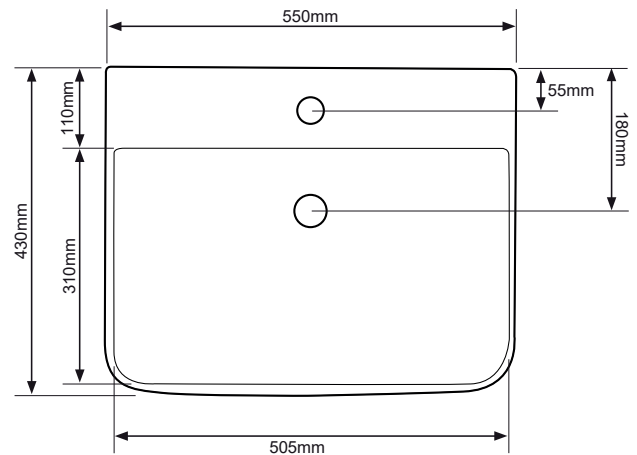
NO.	Description	Product Code	Fixings included	Gross Weight
1	Basin	SB450S	NO	15.1KG
2	Pedestal	PE450S	NO	12.2KG



## DIMENSIONS



DIAGRAMS NOT TO SCALE | ALL DIMENSIONS IN MM TOLERANCE OF ± 5MM  
ALL PRODUCTS CONFORM TO BRITISH STANDARDS



\*Dimensions are subject to change, customers are advised to measure actual product before commencing installation.  
\*\*Fixing point dimensions are for guidance only. The positions of fixings must be checked when product is received.

## FAQs

Q - Position of fixing points?  
A - 245mm Centers

Q - Does this basin have an integrated overflow?  
A - Yes

Q - What is the maximum water depth of the basin?  
A - 70mm up to the overflow.

## Basin

Key Dimensions Descriptions	Key Dimensions (mm)
Internal Basin Depth	120mm
Internal Basin Front to Back	310mm
Internal Basin Left to Right	505mm
Tap Ledge	110mm
Taphole Centre to Waste Centre	125mm
Taphole Centre to Back of Basin	55mm
Waste Centre to Back of Basin	180mm
Width of Basin	550mm
Depth of Basin	430mm

## Pedestal

Key Dimensions Descriptions	Key Dimensions (mm)
Distance at Rear Base from Wall when Fitted MIN/MAX	85/95mm
Footprint Front to Back Depth	150mm
Footprint Outside Width Front	130mm
Footprint Outside Width Back	170mm
Cavity Width (Pipe Fit)	95mm
Cavity Depth (Pipe Fit)	130mm
Height Excluding Basin	735mm