

# TECHNICAL DATA SHEET

Structure 540mm SCT Slim Depth Basin - SCSB453S

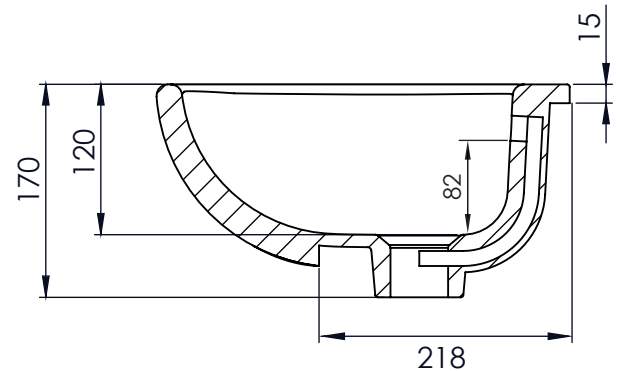
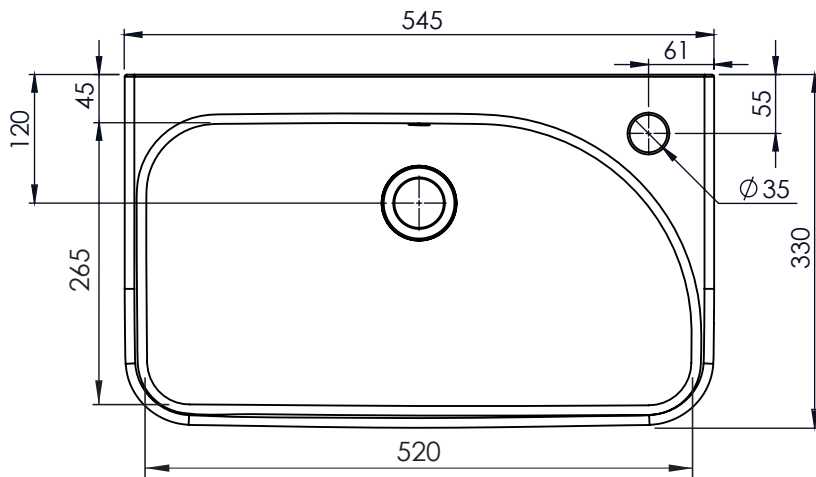
# TAVISTOCK

NO.	Description	Product Code	Template included	Gross Weight
I	540mm Semi Recess Basin - SlimDepth	SCSB452S	YES	10.3KG



## DIMENSIONS

DIAGRAMS NOT TO SCALE | ALL DIMENSIONS IN MM TOLERANCE OF ± 5MM  
ALL PRODUCTS CONFORM TO BRITISH STANDARDS



\*Dimensions are subject to change, customers are advised to measure actual product before commencing installation.

\*\*Fixing point dimensions are for guidance only. The positions of fixings must be checked when product is received.

## FAQs

Q - Is a fitting template supplied?

A - Yes : Cutting dimensions can be found on the template.

Q - How is the basin fixed to the furniture?

A - Fix to workspace with silicone as per instructions supplied.

Key Dimensions Descriptions	Key Dimensions (mm)
Internal Bowl Depth	120mm
Internal Bowl Front to Back	265mm
Internal Bowl Left to Right	520mm
Tap Ledge	45mm
Taphole Centre to Back of Basin	55mm
Waste Centre to Back of Basin	120mm
Height of Basin	145mm
Basin Overhang	112mm