

TECHNICAL DATA SHEET

Lansdown SCT STD Depth Basin 2TH - DCI4048

TAVISTOCK

NO.	Description	Product Code	Template included	Gross Weight
I	Semi Recess Basin - Standard Depth, 2TH	DCI4048	YES	11.5KG

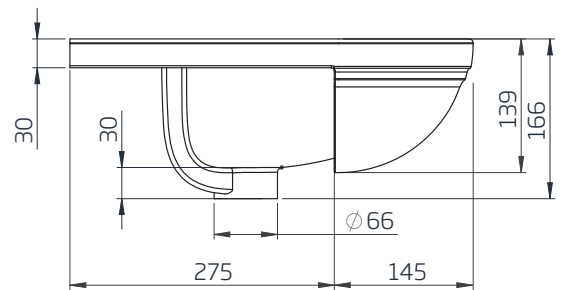
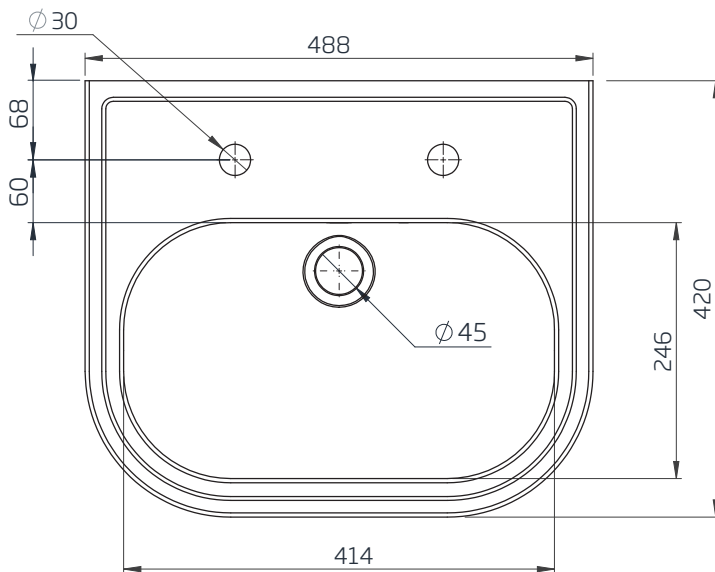


SPARES CODE:

Traditional overflow cover cap:
SPI8657

DIMENSIONS

DIAGRAMS NOT TO SCALE | ALL DIMENSIONS IN MM TOLERANCE OF ± 5MM
ALL PRODUCTS CONFORM TO BRITISH STANDARDS



*Dimensions are subject to change, customers are advised to measure actual product before commencing installation.

**Fixing point dimensions are for guidance only. The positions of fixings must be checked when product is received.

FAQs

Q - Is a fitting template supplied?

A - Yes : Questions on cutting dimensions can be found on the template.

Q - How is the basin fixed to the furniture?

A - Fix to workspace with silicone as per instructions supplied.

Note - Optional overflow cover supplied (round and grill type)

Key Dimensions Descriptions	Key Dimensions (mm)
Internal Bowl Depth	120mm
Internal Bowl Front to Back	246mm
Internal Bowl Left to Right	414mm
Tap Ledge	136mm
Taphole Centre to Waste Centre	146mm
Taphole Centre to Back of Basin	68mm
Waste Centre to Back of Basin	183mm
Height of Basin	166mm
Basin Overhang	145mm