

# TECHNICAL DATA SHEET

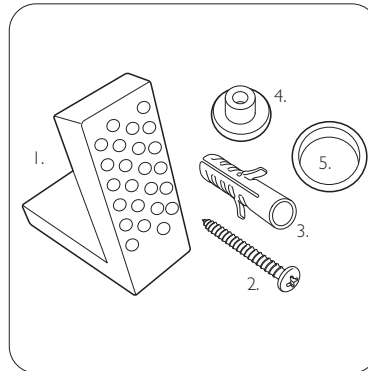
## Lansdown Close Coupled Fully Enclosed WC

# TAVISTOCK

NO.	Description	Product Code	Fixings included	Gross Weight
1	Close Coupled Cistern	DCI4036	YES	15KG
2	Soft Close Toilet Seat	DCI4037	YES	2.1KG
3	Rimless Fully Enclosed WC	DCI4042	YES	28KG



### Floor Fixings

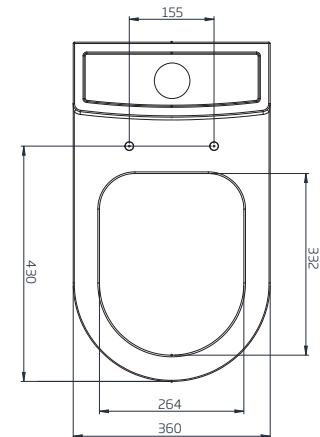
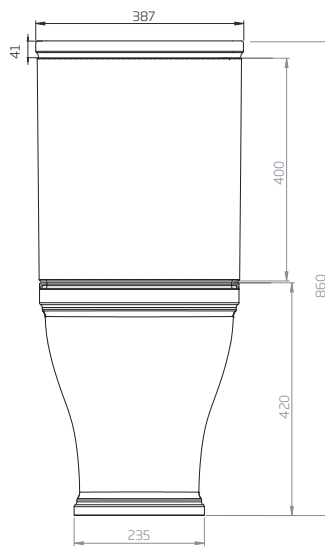
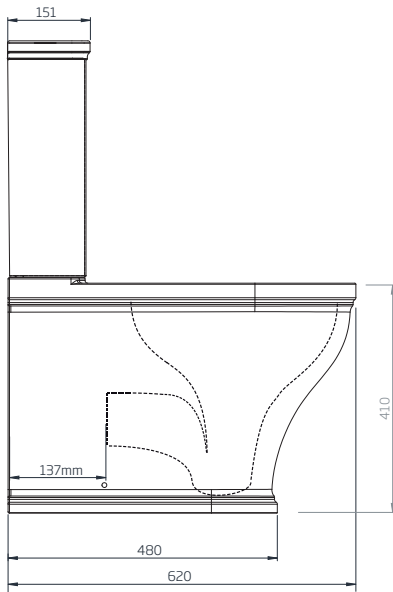


1. 2x Nylon Floor Bracket
2. 4x Stainless Steel Screws
3. 2x Nylon Screw Plugs
4. 2x Nylon Screw Collars
5. 2x Nylon Collars Caps (Metalic Finish)

Spare Code: SP14211

## DIMENSIONS

DIAGRAMS NOT TO SCALE | ALL DIMENSIONS IN MM TOLERANCE OF  $\pm 5$ MM  
ALL PRODUCTS CONFORM TO BRITISH STANDARDS



\*Dimensions are subject to change, customers are advised to measure actual product before commencing installation.  
\*\*Fixing point dimensions are for guidance only. The positions of fixings must be checked when product is received.

## FAQs

Q - Where is the inlet valve?  
A - Bottom inlet, back right of the pan.

Q - What is the flush volume?  
A - 6/4L

Q - Can this pan be used with a side connection outlet pipe?  
A - No

Q - Are there any other compatible seats?  
A - No

Q - Rim type?  
A - Rimless

Key Dimensions Descriptions	Key Dimensions (mm)
Front to Back Footprint	480mm
Left to Right Footprint	235mm
Bowl Front to Back	332mm
Bowl Left to Right	264mm
Pan Height (+Cistern)	420mm (860mm)
Pan Overall Front to Back	620mm
Centre Waste Outlet to Floor	180mm
Width of Void	155mm
Is there a Ceramic Brace Bar	No
Distance from Spigot to back of Pan	137mm