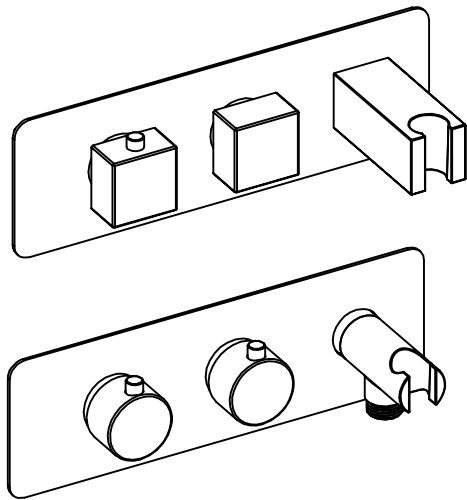


# INSTALLATION INSTRUCTIONS



## IMPORTANT

1. We recommend that this product is installed by a qualified professional contractor, such as a plumber who is certified by NVQ (National Vocational Qualification) or SNVQ (Scottish National Vocational Qualification) Level 3.
2. Please check this product immediately to ensure that it has not been damaged and is complete. Before installation, please make sure this product is the correct model and you have all the parts required for installation and using.
3. All the valves should be supplied with hot and cold water at balanced pressure. If not, then the mixing function will not work correctly. It is necessary to fit non-return valves on both hot and cold fed pipes.
4. Please flush the water system to ensure that no metal swarf, solder, and other impurities can enter the valves.
5. Turn off water supply before commencing work, this should be done at the isolating valves of inlet feeds if fitted or main stopcock.
6. Please read these instructions carefully and keep it for future reference.

## WORKING PRESSURE AND TEMPERATURE

The valve is suitable for both high and low pressure installation. To ensure that the valve works well under low water pressure, the cold water storage tank must be at least 2 meters above the installed position.

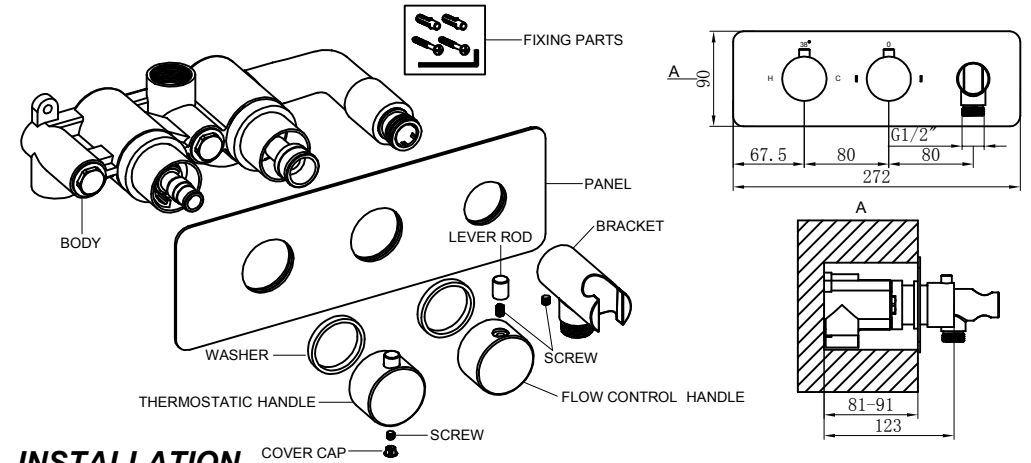
Maximum Static Pressure: 10 Bar

Flow Pressure, Hot & Cold: 0.5-5 Bar

Hot Supply Temperature: 55-65 °C

Cold Supply Temperature: 5-25 °C

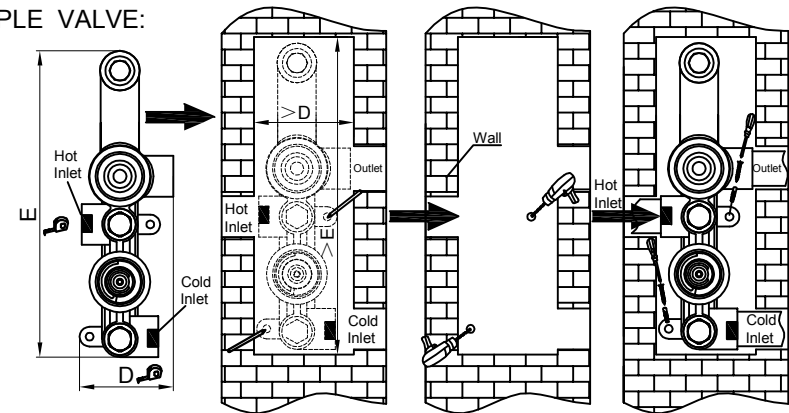
# COMPONENTS AND DIMENSION DRAWING



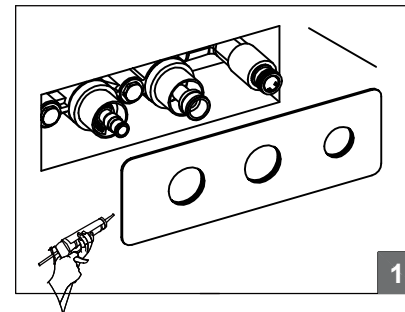
## INSTALLATION

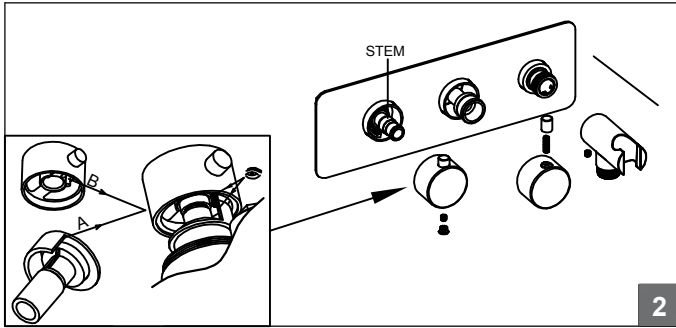
Determine the fixing position for the valve. Make a recess in the wall accordingly to the dimension of the shower valve and mark required installation holes and sizes. Drill those holes with plastic plugs into them. Connect the inlet and outlet to the correct pipework with necessary sealant. Screw shower valve body in position properly.

## TRIPLE VALVE:



Apply clear silicone sealant around the back edge of the cover plate and carefully press into position (See Fig 1).





Fit the stop lug and handle body with part A and B (fix stopper) aligned. Then screw and tighten handle lever (See Fig 2).

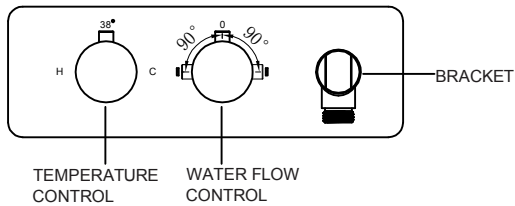
Fix the flow control handle and bracket to the right position with screws. (See Fig 2)

### Operation

1. Use the flow control handle to control the water flow.
2. The temperature control knob is pre-set the auto stop at 38 °C to avoid scalding. However, if for any reason the setting is invalid and the temperature is not 38 °C, it is important to follow the "Temperature Setting Procedure" below to reset the temperature.
3. Temperature Setting Procedure:

Unscrew the thermostatic handle, the temperature is up when the stem is turned anti-clockwise and the temperature is lower when the valve stem is turned clockwise.

When the temperature is correctly set, fix the handle back to the valve as shown in Fig 2 above.

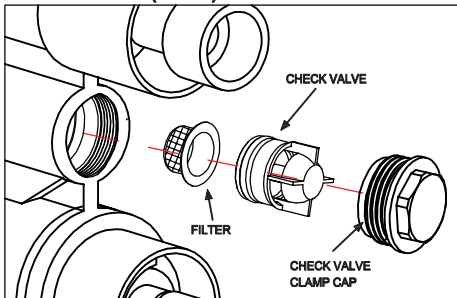


### Maintenance

After a long time usage of thermostatic valve, there will be some waste debris from the water pipe on and around the check valve or thermostatic cartridge, which will affect the flow and sensitivity of automatic temperature adjustment. Please take out and clean the cartridge strainer.

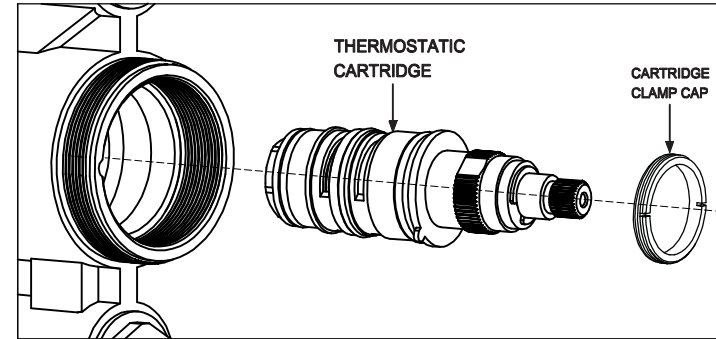
To avoid damage, please remove all chrome parts before any maintenance takes place.

### Maintenance (Filter)



- 1) Remove the check valve clamp cap.
- 2) Use pliers to remove the check valve and filter.
- 3) Wash the filter with clean running water, dry and lightly grease the seals. (only use silicone grease).
- 4) Put back the filter and check valve, then tighten the clamp cap.

### Maintenance (Thermostatic Cartridge)



The concealed thermostatic cartridges should give trouble free service, but in the event of failure, servicing is straight forward.

- 1) Remove the cartridge clamp cap.
- 2) Pull out the thermostatic cartridge.
- 3) Wash the thermostatic cartridge with clean running water, dry and lightly grease the seals (only use silicone grease).
- 4) Put back the thermostatic cartridge, then tighten the clamp cap.

\* Cartridge Type: " H102V" is the spare part number of thermostatic cartridge.

### TROUBLE SHOOTING

1. Output water temperature does not correspond with temperature set.
  - Cause: Thermostat has not been adjusted based on the existing home water system.
  - Remedy: Adjust the thermostat, refer to "Temperature Setting" procedure.
  - Cause: Hot Water temperature too low.
  - Remedy: Adjust the water heater, increase hot water temperature to 65 °C.
2. Crossflow, cold water being forced into hot water pipe, or vice versa, when valve is closed.
  - Cause: Non-return valves dirty or leaking.
  - Remedy: Clean the non-return valves or replace with new non-return valves if necessary.
3. Water will not run hot enough when first installed.
  - Cause: Wrong maximum temperature setting.
  - Remedy: Adjust the maximum temperature, refer to "Temperature Setting" procedure.