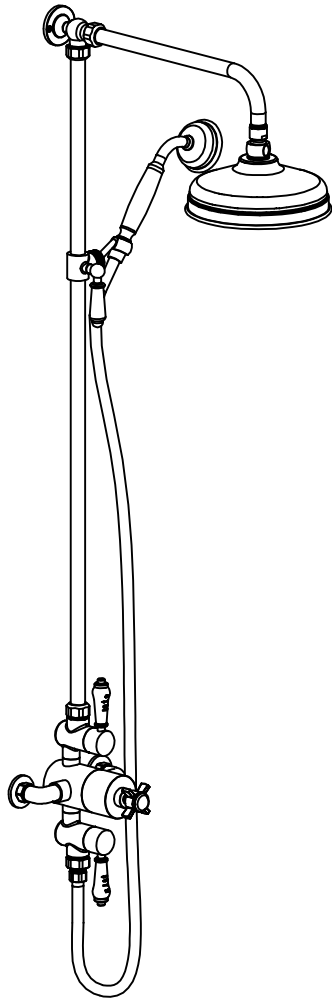


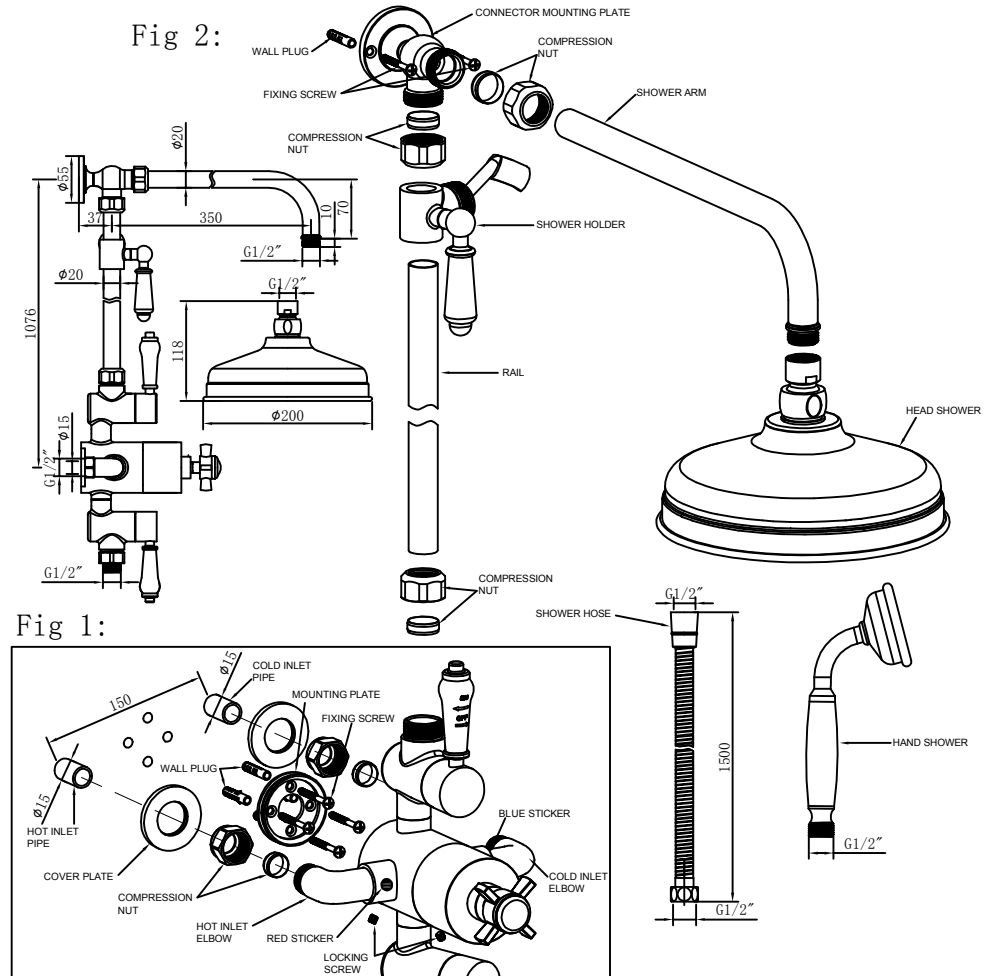
Traditional thermostatic shower set Instruction



I、 TECHNICAL DATA

1. Ideal Pressure: 1bar—5bar. A reducing valve is required when the water pressure is more than 5bar.
2. Standard Pressure: Dynamic water pressure 3 ± 0.2 bar.
3. Cold Supply Temperature: $4-29^{\circ}\text{C}$; Hot Supply Temperature: $55-58^{\circ}\text{C}$; Recommended Water Temperature $60-70^{\circ}\text{C}$.
4. Thermostatic Temperature Range: $20-50^{\circ}\text{C}$.
5. Preset Temperature: 38°C .
6. Safety mechanism: The mixed water will be immediately cut off when the cold supply is not effective.
7. The actual working temperature will be within $\pm 2^{\circ}\text{C}$ of the desired temperature.
8. Temperature Stability: The outlet temperature variation will be within $\pm 2^{\circ}\text{C}$ when inlet temperature is stable and cold & hot pressure vary 50%. The outlet temperature variation will be within $\pm 2^{\circ}\text{C}$ when inlet pressure is stable and hot supply temperature increases from 60°C to 75°C ($5^{\circ}\text{C}/\text{min}$).

II、 COMPONENTS AND DIMENSION DRAWING



The valve should be installed in accordance with the water bye-laws. For further details refer to the latest copy of Water Bye-laws guide or your local water authority.

Fig 1:

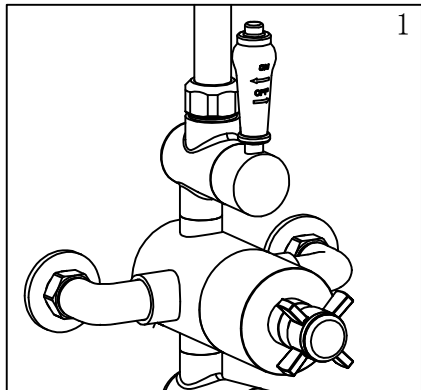
1. Prepare the water supply pipes (hot on the left and cold on the right) at the identified height with a width of 150mm centers.
2. Make the ends of pipes 20-25mm out from the face of wall.
3. Remove the compression nuts and the plates from the inlet elbows of valve.
4. Put the mounting plate onto the wall and mark the position of 4 holes.
5. Drill 4X8mm holes on the wall to a depth of 45mm and insert wall plugs.
6. Place the wallplugs into the holes and fixing screws into the wallplugs, then fix the valve body to the mounting plate with fixing screws.
7. Slide the cover plates under the compression nuts and position each pipe with the cover plate against the wall.
8. Push the valve over each pipe and make them into the mounting plate.
9. Tighten the two nuts on both inlets.

Fig 2:

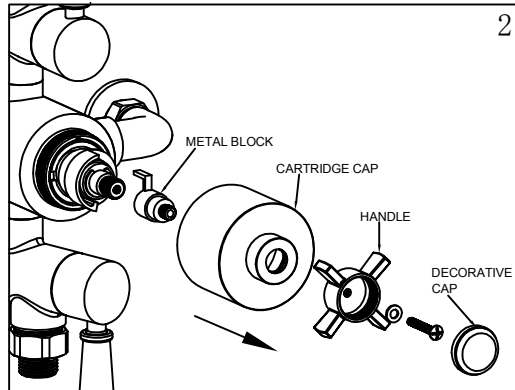
1. After the valve is installed, measure the installation height of this shower set with tape, mark two holes in required position.
2. Drill 2x ϕ 8mm holes to a depth of 45mm and insert wallplugs.
3. Place showerholder into the rail properly, then rail connected to the mounting plate with fixing screws into the wall.
4. Connect the shower arm, tighten all the compression nuts with spanner.
5. connect showerhead to shower arm, then connect shower hose and hand shower properly .
6. Test the shower set for leaks.
7. Installed.

Temperature Setting

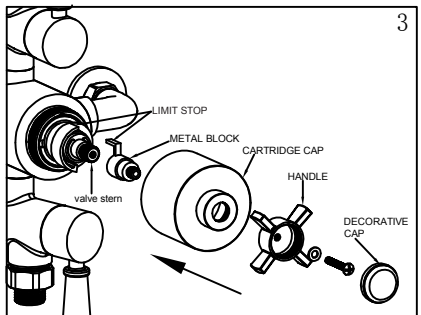
The temperature control handles on this product are factory set and should require no adjustment. However, if for any reason the handles and/or the cartridge is removed, it is important the following procedures are followed.



- 1) Turn flow control handle to maximum flow position, and temperature control handle clockwise until it contacts the internal limit stop.
- 2) Allow the water temperature to stabilize around 3 minutes and check the temperature by thermometer.
- 3) Proceed if temperature is not 42°C.



- 1) Turn off the valve.
- 2) Unscrew the decorative cap on the temperature control handle.
- 3) Unscrew and remove the handle.
- 4) Unscrew and remove the cartridge cap.
- 5) Pull off the metal block with limit stop on the backside.



- 1) Turn on the valve.
- 2) Temperature is up when valve stem is turned clockwise, temperature is down when valve stem is turned anti-clockwise.
- 3) When the temperature is set properly, fit the metal block to the valve stem to align the limit stop.
- 4) Assemble all the parts back together in sequence.

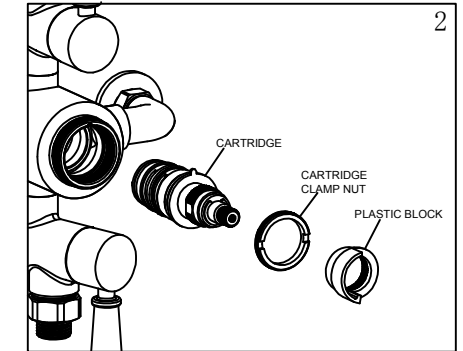
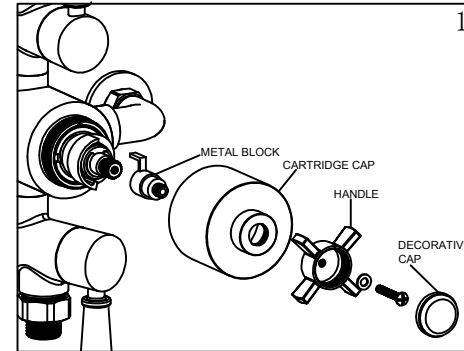
Maintenance (Thermostatic Cartridge)

* After a long time usage of thermostatic valve, there will be some waste or debris from the water pipe on and around the thermostatic cartridge, which will affect the flow and sensitivity of automatical temperature adjustment. Please take out the thermostatic cartridge and clean the cartridge strainer

* To avoid damage, please remove all chrome parts before any maintenance takes place.

- 1) Remove the cartridge cap, metal block (See Fig. 1)
- 2) Remove the plastic block and cartridge clamp nut, Pull out the cartridge (See Fig. 2)
- 3) Wash the cartridge with clean running water, dry and lightly grease the seals (only use silicone grease).
- 4) Replace the cartridge and make sure it back to the primary position.

* Cartridge Type: " H102V " is the spare part number of thermostatic cartridge.



Trouble Shooting

1. Output water temperature does not correspond with temperature set
Cause: Thermostat has not been adjusted base on the existing home water system
Remedy: Adjust the thermostat , refer to "Temperature Setting" procedure.
Cause: Hot Water temperature too low.
Remedy: Adjuster the water heater , increase hot water temperature to 65 °C.
2. Crossflow, cold water being forced into hot water pipe, or vice versa, when valve is closed
Cause: Non-return valves dirty or leaking
Remedy: Clean the non-return valves or exchange if necessary
3. Very low flow or no flow
Cause: Supply pressure inadequate
Remedy: Check hot and cold feeds . If a pump has been installed, please check to see if the pump is working.
(the valve will shut down if either the cold or hot water supply fails)
4. Water will not run hot enough when first installed
Cause: Wrong maximum temperature setting
Remedy: Adjust the maximum temperature , refer to "Temperature Setting" procedure.

Cleaning

We do NOT recommend you use any household cleaners to clean the product, because these cleaners change substance or formula too frequently. So product should be always cleaned only with soapy water and rinsing with clean water and drying with soft cloth.