

## AFTERCARE INSTRUCTIONS

Your fitting has a high quality finish and should be treated with care to preserve the visible surfaces.

All surface finishes will wear if not cleaned correctly, the only safe way to clean your mixer is to wipe with a soft damp cloth. Stains can be removed using washing up liquid. All bath cleaning powders and liquids will damage the surface of your fitting, even the non-scratch cleaners. **NOTE: Never use abrasive detergents or disinfectants or those containing alcohol, hydrochloric acid or phosphoric acid.**

Bristan recommend E-Cloth for cleaning all of our bathroom & kitchen products. Using just water, E-cloth gives a smear free, deep clean by breaking up and holding dirt, which normal cloths leave behind. Order through your Bristan stockist. (ORDER CODE: E-CLOTH)



## GUARANTEE

All products are manufactured to the highest standards and a 5 year guarantee covers any defect in manufacture.

**NOTE: All products must have access for servicing or replacement during the life of the product.**

In the interests of continuous product development we reserve the right to alter specification as necessary

**TELEPHONE HELPLINE: 0844 701 6273**

Bristan Group Limited  
Birch Coppice Business Park  
Dordon  
Tamworth  
Staffordshire  
B78 1SG  
UK  
A Masco Company  
Website: [www.bristan.com](http://www.bristan.com)  
Telephone: 0844 701 6274  
Facsimile: 0844 701 6275  
Email: [enquire@bristan.com](mailto:enquire@bristan.com)

# BRISTAN

## Surface Mounted Pipework Fittings (WMNT4 C)

## Fitting Instructions & Contents List

Before starting any installation project please consider:

Prior to drilling into walls, check there are no hidden electrical wires, cables or water supply pipes with the aid of an electronic detector. If you use power tools do not forget:

- Wear eye protection
- Unplug equipment after use



**Please keep these instructions for future reference and request of**

## INSTALLATION

1. Identify all components and check for completeness, particularly before commencing installation.
2. Determine correct orientation and position for a bar shower or wall mounted mixer, by measuring the pipe centres. Once determined the position, mark out the holes ready for the shrouds (2).
3. Drill holes to match the holes in the shrouds (2), then use the wall plugs if required. Screw the shrouds (2) to the wall by using the screws provided.

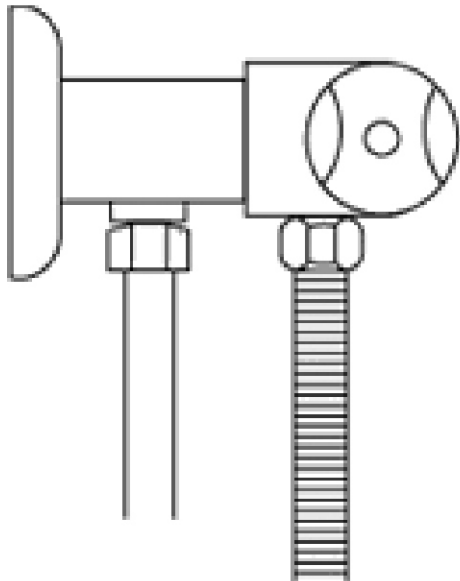
Before starting any installation project please consider:



Prior to drilling into walls, check there are no hidden electrical wires, cables or water supply pipes with the aid of an electronic detector. If you use power tools do not forget:

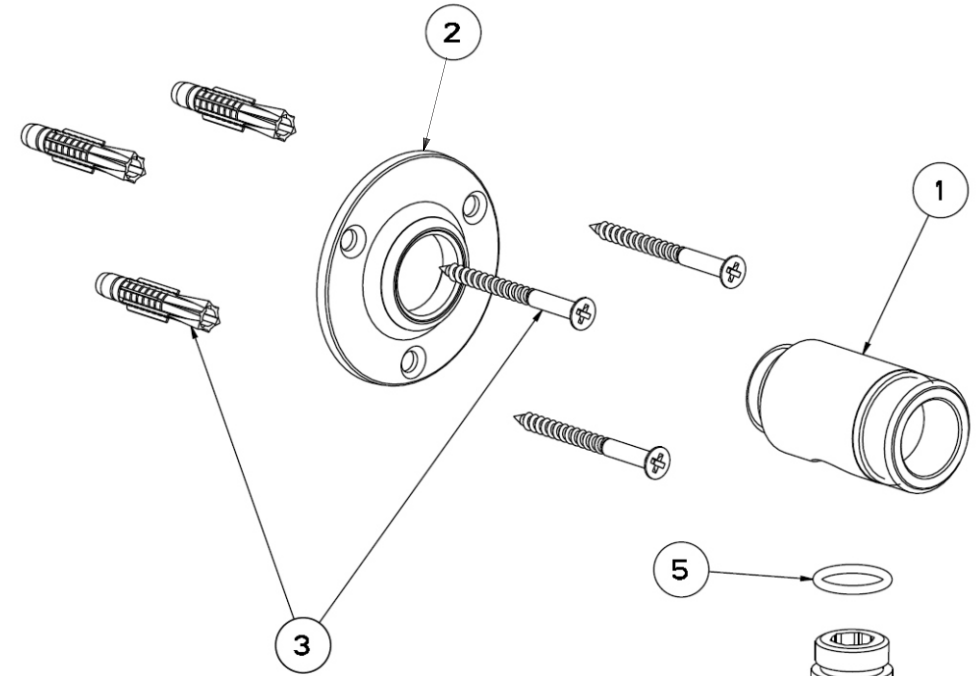
- Wear eye protection
- Unplug equipment after use

4. Attach the wall mounts to the shrouds by screwing them together. The wall mount can be positioned, so that pipework can come from the floor or from the ceiling.
5. These fittings are for exposed units only,
6. See back page for aftercare instructions.



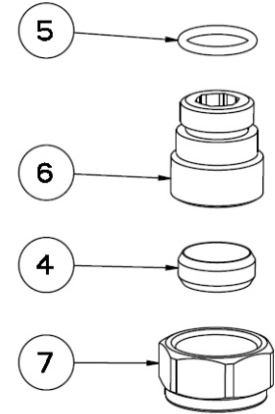
**ILLUSTRATION ONLY**

## INSTALLATION DIAGRAM



### CONTENTS:

1. Wall Mounts	(x2)
2. Shrouds	(x2)
3. Fixing Kit	(x1)
4. Olive	(x2)
5. Washer	(x2)
6. Adaptor	(x2)
7. Nut	(x2)



### **PLEASE NOTE:**

In the unlikely event you find a part missing, please contact our Customer Service helpline on **0844 701 6273** for immediate dispatch of part