

QST BF C

QUEST Tap Range Quest Bath Filler Chrome



Specification

Product Type:	Bathroom Tap
Main Construction Material:	Brass
Mount Type:	Deck Mounted
Handle Type:	Lever Handles
Connection Inlet:	3/4" BSP
Connection Outlet:	N/A
Number of Tap Holes:	2
Valve/Cartridge Type:	Quarter Turn 3/4" Ceramic Disc Valves
Plumbing System Requirements:	All - Ideally Balanced
Working Pressure Range:	Min. 0.3 Bar - Max. 8.0 Bar
Maximum Hot Water Temperature: °C	65
Maximum Static Pressure: (bar)	10
Flow Type:	Single Flow

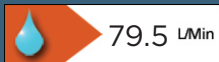
Features:

- Long life and easy to use 1/4 turn ceramic disc valves
- Metal back nuts for added durability
- Easy to use metal handles

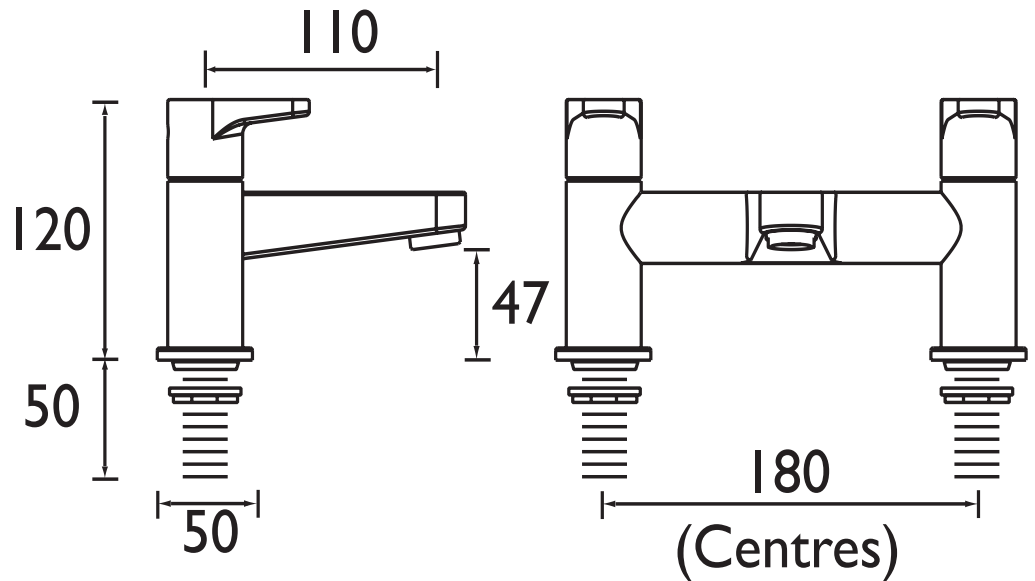
Product Certifications:



WRAS Cert. Number: 1609013
WRAS Expiry Date: 30/09/2021



Dimensions (measurements in mm)



For more products, visit our website:
<http://www.bristan.com>



Flow Rates (l/min)

System Pressure (bar)	0.2	0.5	1	2	3	5
QST BF C	20.53	32.46	45.9	64.91	79.5	102.63

TECHNICAL DATA SHEET



BRISTAN

D8