

CAP BF C

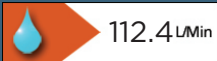
CAPRI Tap Range Capri Pillar Bath Filler Chrome



Features:

- Brass construction
- Ceramic disc valve for smooth flow control
- Easy-to-use lever handles

Product Certifications:



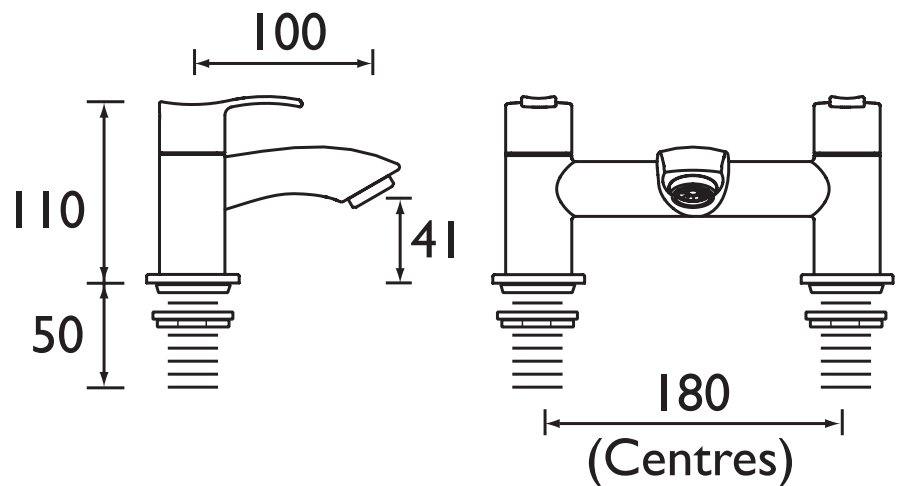
For more products, visit our website:
<http://www.bristan.com>



Specification

Style:	Contemporary
Product Type:	Bathroom Tap
Main Construction Material:	Brass
Mount Type:	Deck Mounted
Handle Type:	Lever
Connection Inlet:	3/4" BSP
Connection Outlet:	3/4" BSP
Number of Tap Holes:	2
Valve/Cartridge Type:	1/4 Turn 3/4" Ceramic Disc Valves
Plumbing System Requirements:	All
Working Pressure Range:	Min 0.2 Bar, Max 5.0 Bar
Maximum Hot Water Temperature: °C	65
Maximum Dynamic Pressure: (bar)	5
Maximum Static Pressure: (bar)	10
Flow Type:	Single
Flow Rate: (l/min @ 3 bar)	112.4
Isolation Included:	No

Dimensions (measurements in mm)



Flow Rates (l/min)

System Pressure (bar)	0.2	0.5	1	2	3	5
CAP BF C	27.2	45.3	64.9	91.8	112.4	145.1

TECHNICAL DATA SHEET



BRISTAN

TAPS & SHOWERS

D6