

GWF BF C

GLIDE Tap Range Glide Waterfall Bath Filler Chrome



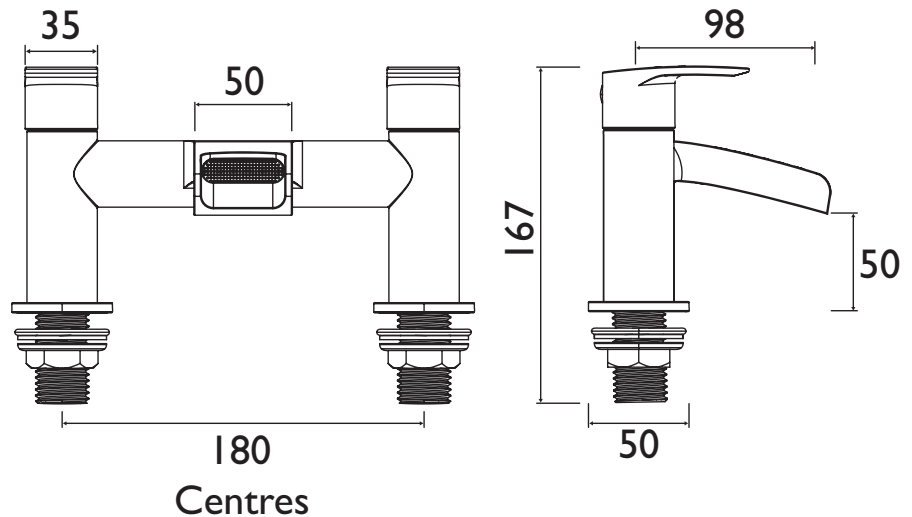
Features:

- Metal Backnuts
- Ceramic Disc

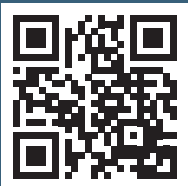
Specification

Style:	Contemporary
Product Type:	Bathroom Taps
Finish/Colour:	Chrome Plated
Main Construction Material:	Brass
Mount Type:	Deck Mounted
Handle Type:	Lever
Connection Inlet:	3/4" BSP Male Connector
Connection Outlet:	N/A
Number of Tap Holes:	2
Valve/Cartridge Type:	3/4" CD Valves 1/4 Turn
Plumbing System Requirements:	All Plumbing Systems
Working Pressure Range:	0.1-5.0
Maximum Hot Water Temperature: °C	65
Maximum Dynamic Pressure: (bar)	5
Maximum Static Pressure: (bar)	10
Flow Type:	Single
Flow Rate: (l/min @ 3 bar)	98.2
Isolation Included:	No

Dimensions (measurements in mm)



For more products, visit our website:
<http://www.bristan.com>



Flow Rates (l/min)

System Pressure (bar)	0.1	0.2	0.5	1	2	3	5
GWF BF C	14.9	23.2	39.6	56.7	80.1	98.2	126.78

TECHNICAL DATA SHEET



BRISTAN

TAPS & SHOWERS

D1