

# HOU 3/4 C

# HOURGLASS Tap Range

## Hourglass Bath Taps Chrome



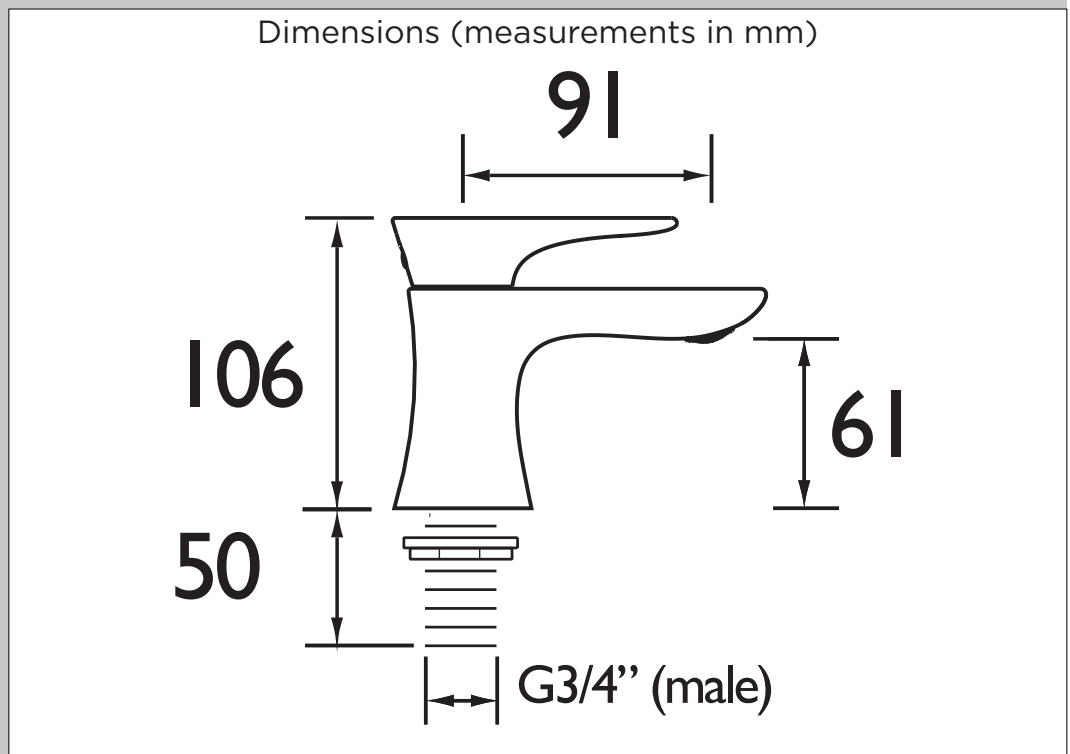
Specification	
Style:	Contemporary
Product Type:	Bathroom Taps
Finish/Colour:	Chrome
Main Construction Material:	Brass
Mount Type:	Deck
Handle Type:	Paddle
Connection Inlet:	3/4" BSP
Number of Tap Holes Required:	2
Valve/Cartridge Type:	3/4" Ceramic Disc Valves
Plumbing System Suitability	All
Working Pressure Range:	Min 0.2 Bar, Max 5.0 Bar
Maximum Hot Water Temperature: °c	65
Maximum Dynamic Pressure: (bar)	5
Maximum Static Pressure: (bar)	10
Flow Type:	Single Flow
Flow Rate: (l/min @ 3 bar)	33
Connection Outlet:	
Isolation Included:	No

### Features:

- Metal Backnuts
- Ceramic Disc
- Chrome plated to BS EN 248

### Product Certifications:

WRAS Certificate No: 1403022  
WRAS Expiry Date: 31/03/2019



Flow Rates (l/min)						
System Pressure (bar)	0.2	0.5	1	2	3	5
HOU 3/4 C (Hot)	12.9	21.3	30.2	42.7	52.3	67.5
HOU 3/4 C (Cold)	13.1	20.8	29.8	42.1	51.6	66.6

For more products, visit our website:



TECHNICAL  
DATA  
SHEET



**BRISTAN**  
TAPS & SHOWERS

D5