

RS2 BAS C

RENAISSANCE Tap Range

Renaissance 2 Basin Mixer Chrome
With Pop-Up Waste



Specification

Product Type:	Bathroom Taps
Main Construction Material:	Brass
Mount Type:	Deck Mounted
Handle Type:	Lever
Connection Inlet:	M12 x 265mm Copper Tails
Connection Outlet:	M24 Antisplash
Number of Tap Holes:	1
Valve/Cartridge Type:	1/4 turn 1/2" Ceramic Disc
Plumbing System Requirements:	All
Working Pressure Range:	Min 0.2 bar - Max 5 bar
Maximum Hot Water Temperature: °C	65
Maximum Static Pressure: (bar)	10
Flow Type:	Single
Isolation Included:	No

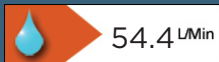
Features:

- Long life and easy to use 1/4 turn ceramic disc valves
- Metal fixing nut for added durability
- Pop-up waste included
- Metal fixing nut

Product Certifications:

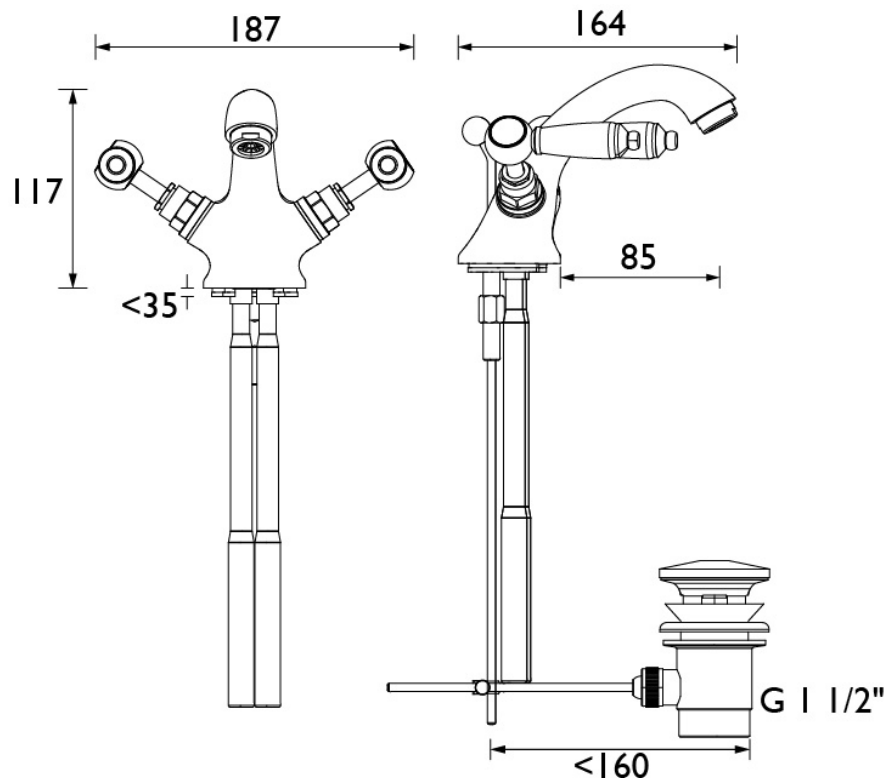


WRAS Certificate No: 1307035
WRAS Expiry Date: 31/07/2018



For more products, visit our website:
<http://www.bristan.com>

Dimensions (measurements in mm)



Flow Rates (l/min)

System Pressure (bar)	0.2	0.5	1	2	3	5
RS2 BAS C	4.4	7.8	11.6	16.8	20.8	26.9

TECHNICAL
DATA
SHEET



BRISTAN