

TECHNICAL DATA SHEET



RENAISSANCE Bath Shower Mixer

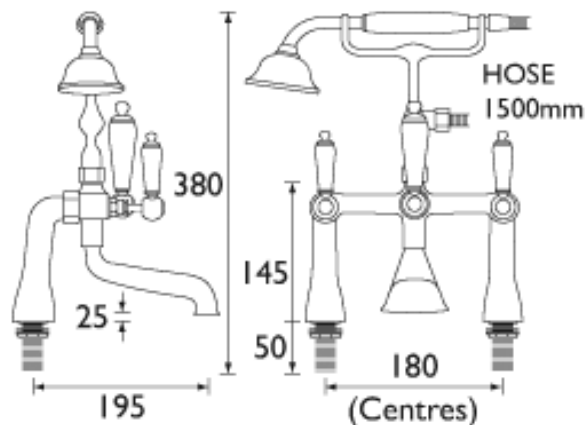
Product Specification

Product Code:	RS BSM C
Finish:	Chrome
Product Type:	Traditional
Construction:	Body is of all brass construction and is designed to conform to BS EN 200
Valve Type:	¼ turn ¾" Ceramic Disc
Supply:	Suitable for all plumbing systems
Inlet Connections:	¾" BSP
Water Pressure:	Min 0.2 bar Max. 8.0 bar
Dimensions for Fitting:	180mm inlet centres



Additional Information

- Chrome plated to BS EN 248
- Includes a 1.5m hose, cradle and single function handset

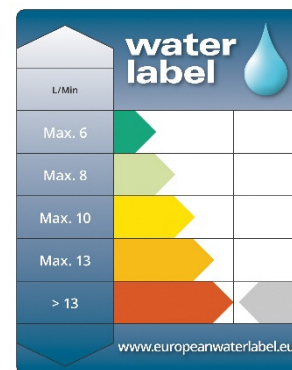


Flow Rates (litres per minute)

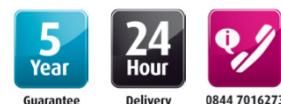
System Pressure	0.2bar	0.5bar	1.0bar	2.0bar	3.0bar	5.0bar
Bath Filler (Mixed)	28.3	46.1	65.5	92.63	113.45	146.46
Through Handset	7.8	13.3	20.7	29.27	35.85	46.29

Technical Advice: For further information please call 0844 7016273 or email customer@bristan.com

Guarantee: 5 years covering manufacturing faults.



Bristan, Birch Coppice Business Park, Dordon, Tamworth, B78 1SG
 Telephone: 0844 701 6274 Facsimile: 0844 701 6275
 Web Site: www.bristan.com Email: enquire@bristan.com



The information contained on this page was correct at date of issue. Fitting dimensions are provided as a guide only. Some variation may occur due to manufacturing tolerances. Bristan pursues a policy of continuing improvement in design and performance of its products and so reserves the right to change specifications without prior notice.