

RS2 3/4 C

RENAISSANC Tap Range Renaissance 2 Bath Taps Chrome



Features:

- Long life and easy to use 1/4 turn ceramic disc valves
- Ceramic disc

Product Certifications:



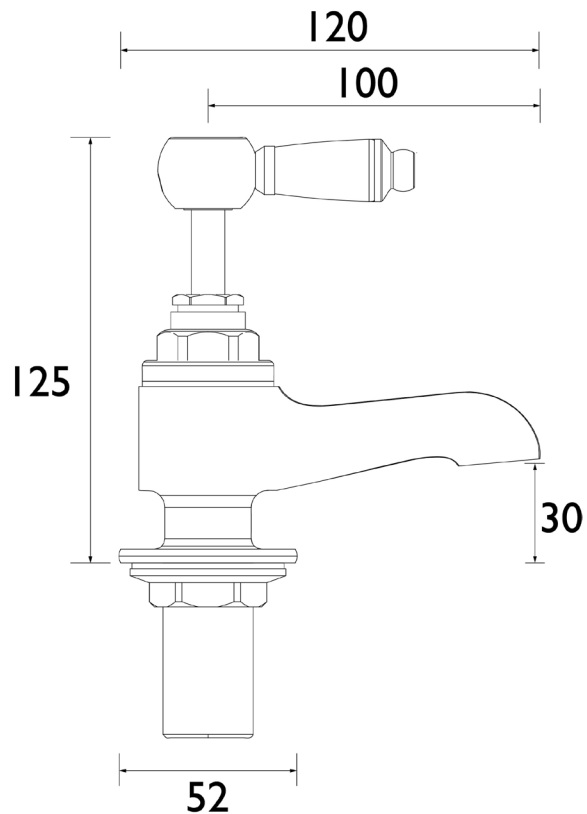
WRAS Certificate No: 1307037
WRAS Expiry Date: 31/07/2018

For more products, visit our website:
<http://www.bristan.com>

Specification

Product Type:	Bathroom Taps
Main Construction Material:	Brass
Mount Type:	Deck Mounted
Handle Type:	Lever
Connection Inlet:	3/4" BSP Connections
Connection Outlet:	Open
Number of Tap Holes:	2
Valve/Cartridge Type:	3/4" Ceramic Disc Valve
Plumbing System Requirements:	All
Working Pressure Range:	Min 0.2 bar - Max 5 bar
Maximum Hot Water Temperature: °C	65
Maximum Static Pressure: (bar)	10
Flow Type:	Single
Isolation Included:	No

Dimensions (measurements in mm)



Flow Rates (l/min)

System Pressure (bar)	0.2	0.5	1	2	3	5
RS2 3/4 C	16.4	26	36.8	52	63.7	82.2

TECHNICAL
DATA
SHEET



BRISTAN

D2