

TECHNICAL DATA SHEET

HOURGLASS 1 Hole Bath Filler

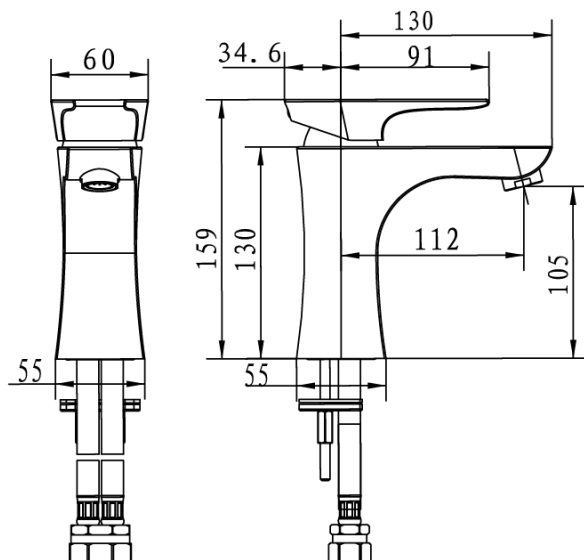
Product Specification

Product Code:	HOU 1HBF C
Finish:	Chrome
Product Type:	Contemporary
Valve/Cartridge:	35 mm CD Mixer Cartridge
Supply:	Nominally equal (balanced) inlet supply pressures are recommended for optimum performance of mixer taps
Inlet Connection:	M12 X 300 mm Flexi Tails
Working Pressures:	Min 1.0 Bar, Max 5.0 Bar



Additional Information

- Chrome plated to BS EN 248:2002



Flow Rates (litres per minute)

System Pressure	0.2bar	0.5bar	1.0bar	3.0bar	5.0bar
HOU 1HBF C (Outlet)	6.4	9.9	14	25.1	32.4

Compliance / Approvals

WRAS: Manufactured to comply with WRAS

Technical Advice: For further information please call 0844 7016273 or email customercare@bristan.com

Guarantee: 5 years covering manufacturing faults.

Bristan, Birch Coppice Business Park, Dordon, Tamworth, B78 1SG
Telephone: 0844 701 6274 Facsimile: 0844 701 6275
Web Site: www.bristan.com Email: enquire@bristan.com



Guarantee

Delivery

0844 7016273

D1

The information contained on this page was correct at date of issue. Fitting dimensions are provided as a guide only. Some variation may occur due to manufacturing tolerances. Bristan pursues a policy of continuing improvement in design and performance of its products and so reserves the right to change specifications without prior notice.