

# PRODUCT DATA SHEET

## Freestanding Bath

Product Code: BATH-005



**SCUDO**  
BEAUTIFUL BATHROOMS

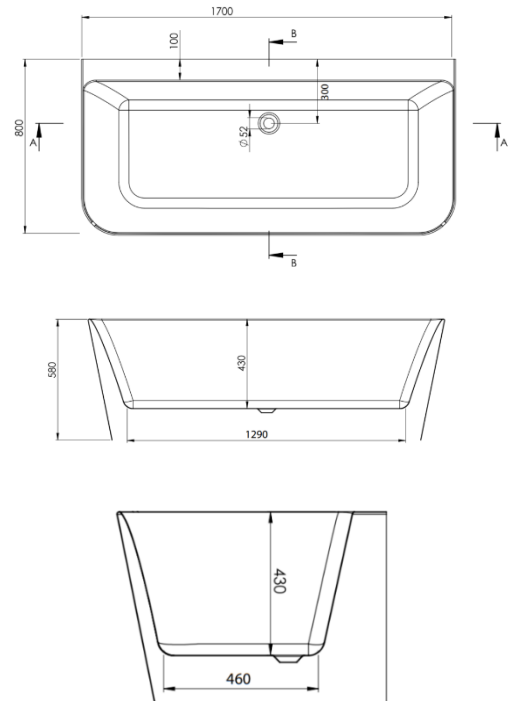
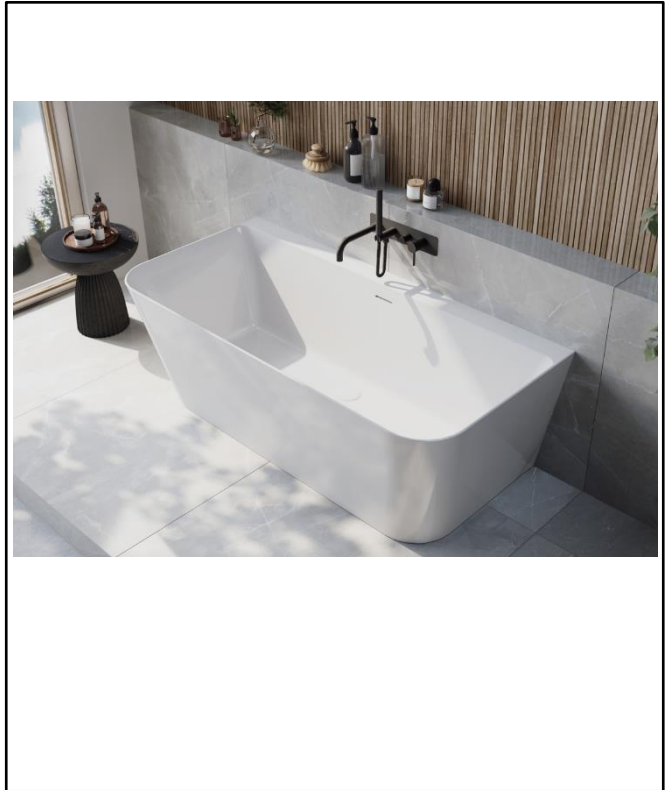
0330 124 7290

sales@scudo.co.uk [www.scudo.co.uk](http://www.scudo.co.uk)

Scudo is the trading name of Harrison Bathrooms Ltd. Whilst we endeavour to ensure that the product information is accurate, we accept no liability for any information given. All images are for illustration purposes only. Product images and specification are subject to change. Measurements are in millimetres and are nominal.

Product Name	BATH-005
Product Description	Porto BTW Freestanding Bath 1700x800 White
<b>Product Transportation</b>	
Barcode	5060991257864
Country of origin	EGY
Commodity code	3922100000
<b>Product Measurements</b>	
Product Weight (KG)	53.00
Product Width (mm)	1700
Product Height (mm)	580
Product Depth (mm)	800
<b>Primary Packed Measurements</b>	
Packaged Weight	58.00
Packed Length	1730
Packed Width	830
Packed Height	600

<b>General Information</b>	
Construction Material	Acrylic
Installation type	Free Standing
Colour / Finish	White
<b>Bath Attributes</b>	
Bath Water Capacity (Liters)	261
Bath Water Capacity (m3)	0.261
Shape	D-Shaped
Handed	N/a
Bath Feet included	Yes
Supplied with Tap Holes	No
Height of Overflow / Soaking Depth	364
Internal Length Base (mm)	1290
Internal Width / Depth Base (mm)	460
Internal Height (mm)	430
Supplied with Front panel	Built in
Supplied with End panel	Built in
Compatible Panel Part Code	N/a



## Dimensions

(Measurements in mm)



### LIFETIME GUARANTEE

We are confident in our products and we want our customer to be, we proudly give a

lifetime guarantee on our taps and showers.  
further details can be found on our website.