

BLACK FRAMED DOUBLE ENTRY SHOWER WALL



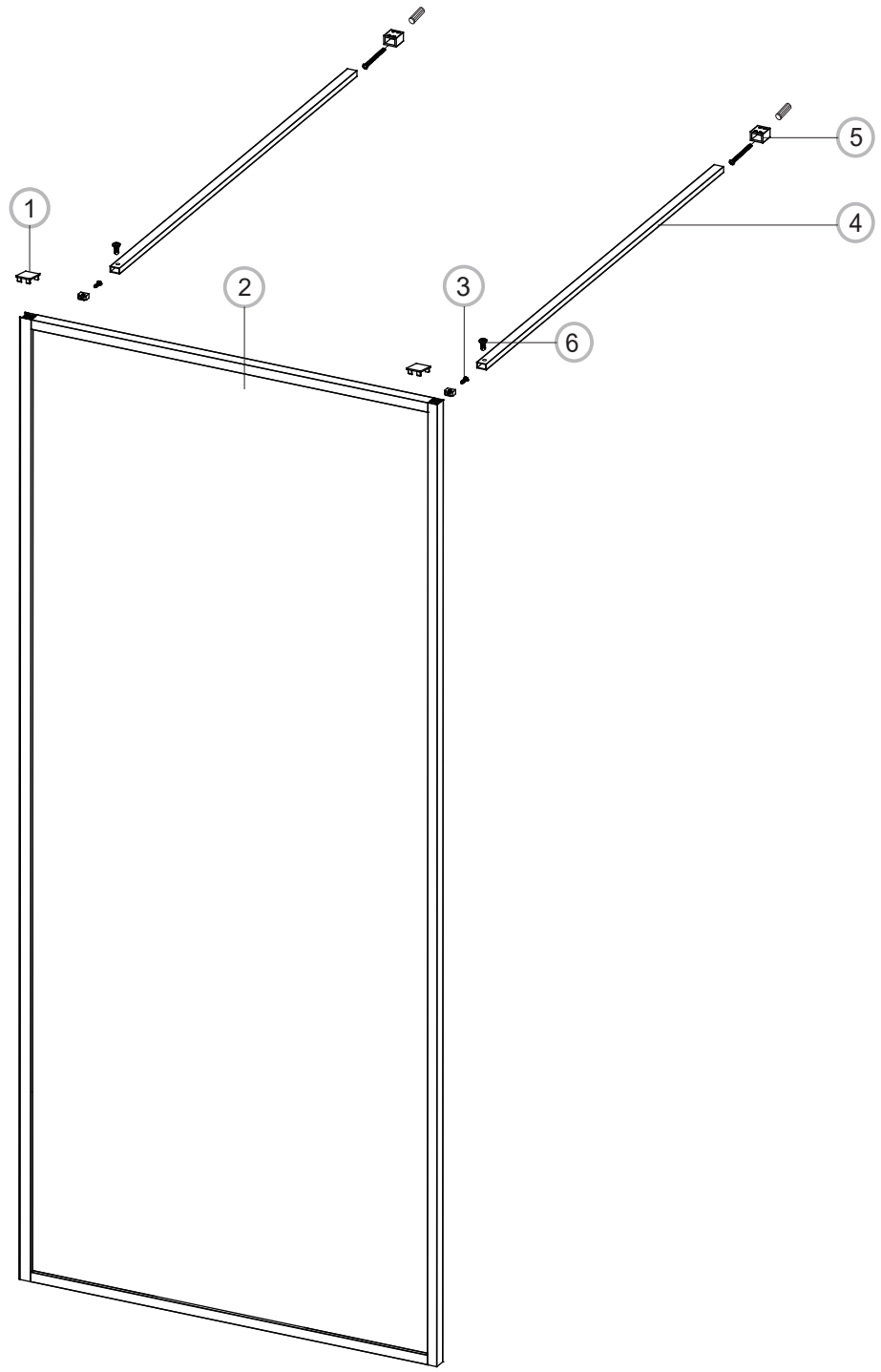
INSTALLATION INSTRUCTIONS

Guide d'installation Installstionsanleitung Installatiehandleiding

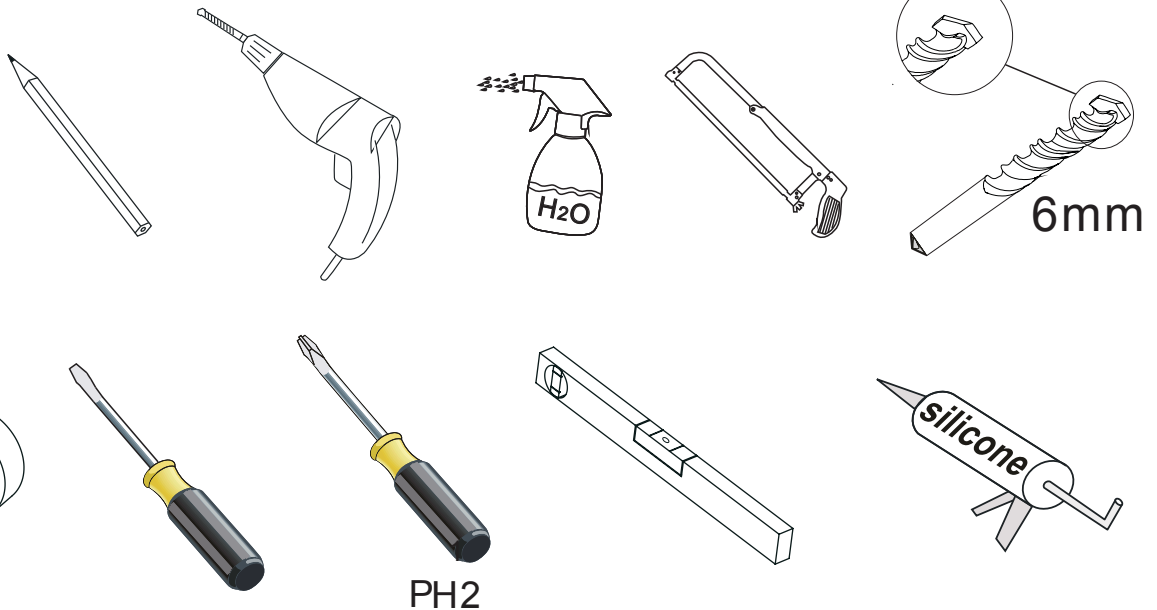
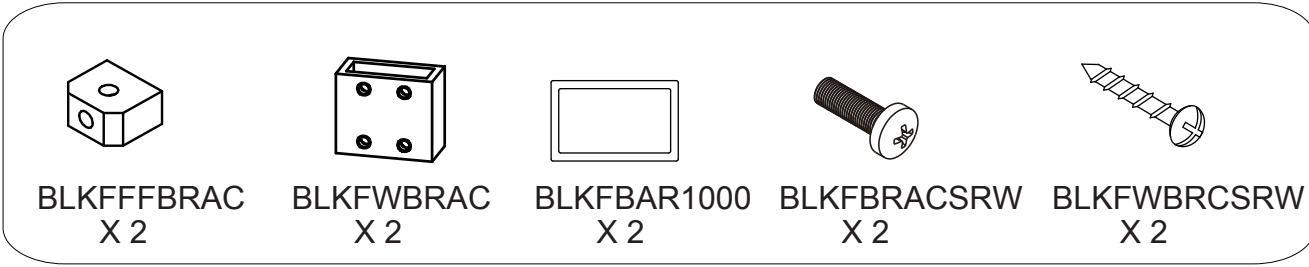
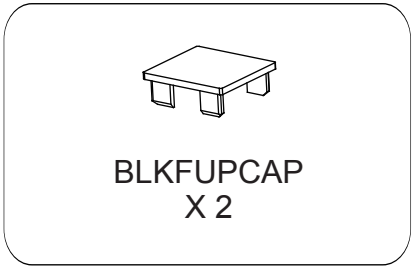
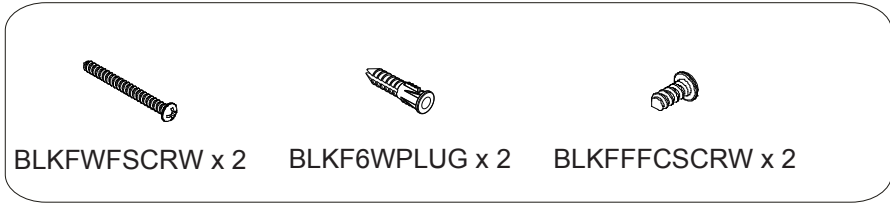
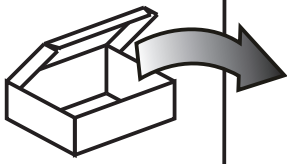
If you install the product in a way that differs from this manual this will void all guarantees. Before installation check that the product meets all your requirements and is not damaged. By proceeding with installation, you accept the condition of the product. The wall plugs supplied with the installation kit are for use in solid walls. Hollow or 'stud partition' walls will require alternative fixings. Please consult your local hardware supplier for the correct type.

Size	Actual product width
1200	FFJ €{ {

*10mm is needed to allow the screen to sit clear of the radius on the tray edges.

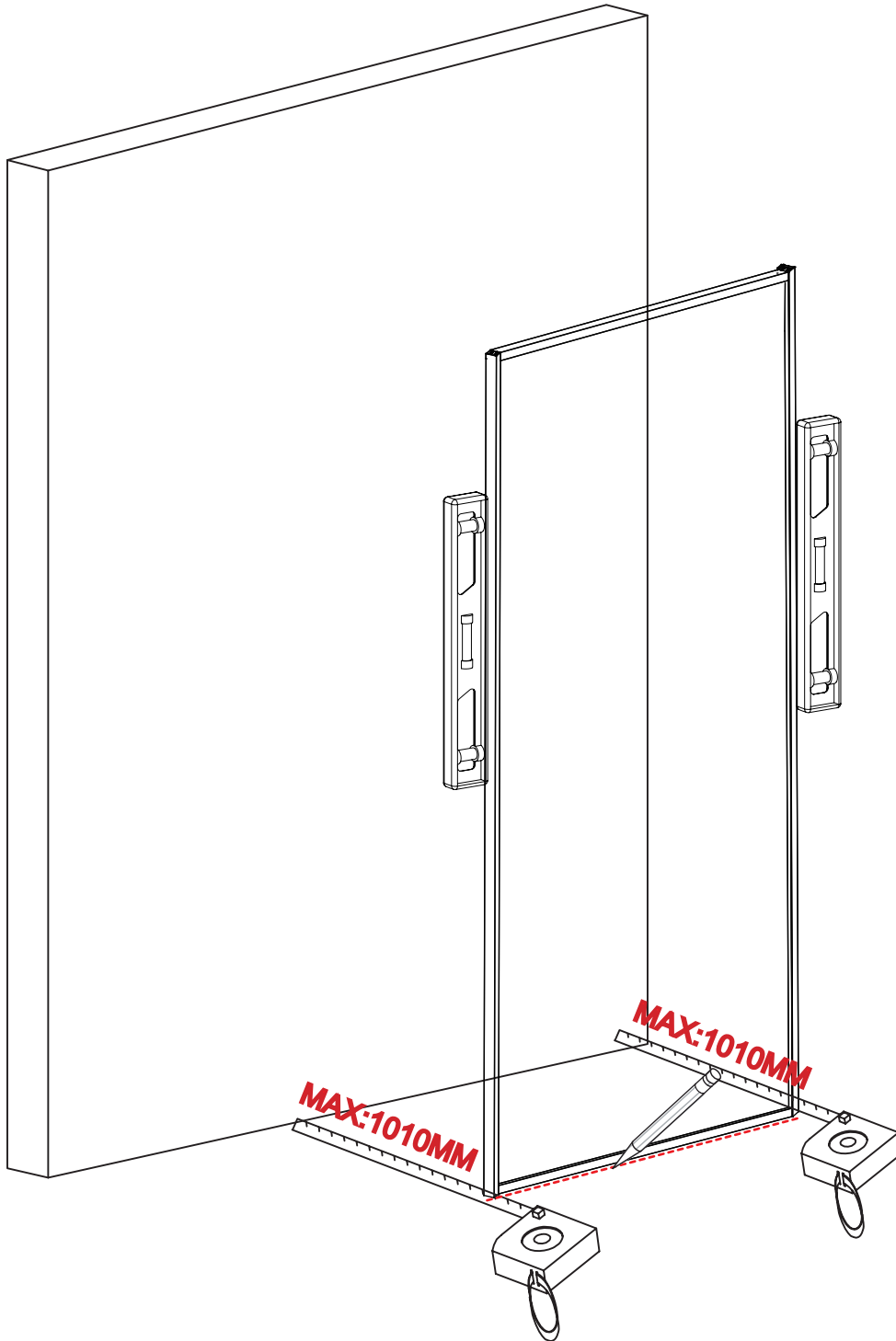


No.	Qty	Part No.
1	2	BLKFUPCAP
2	1	A
3	2	BLKFBRACSRW
4	2	BLKFBAR1000
5	2	BLKFFFBRAC
6	2	BLKFBRACSRW



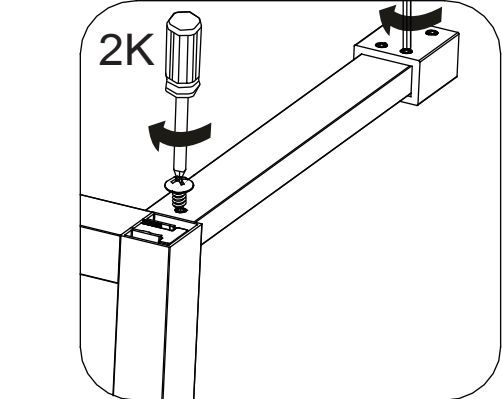
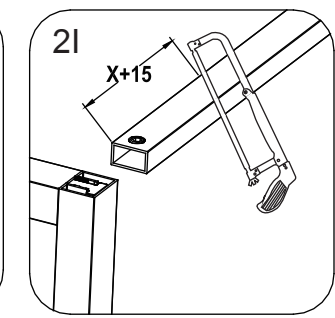
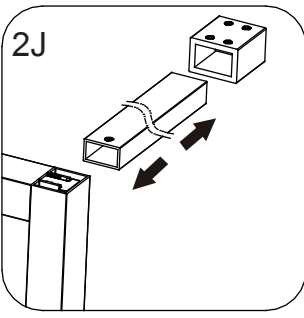
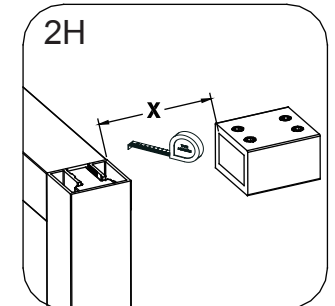
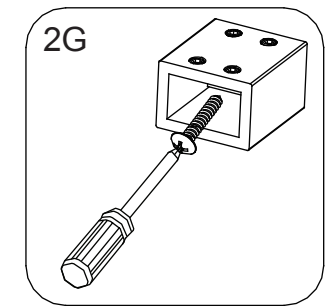
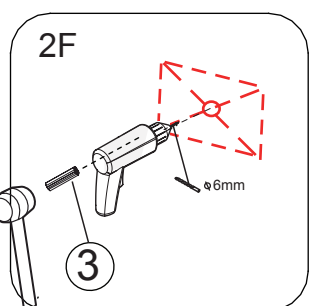
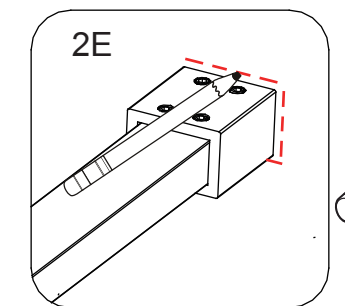
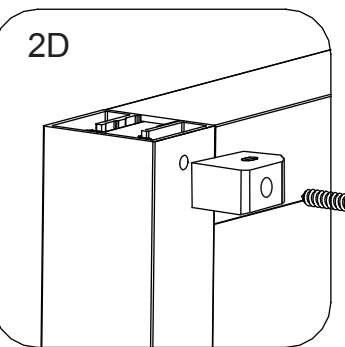
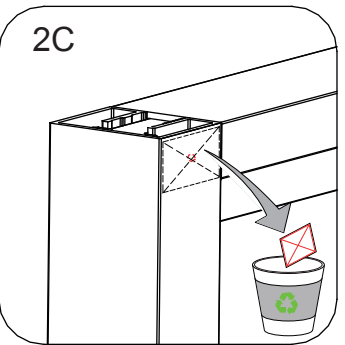
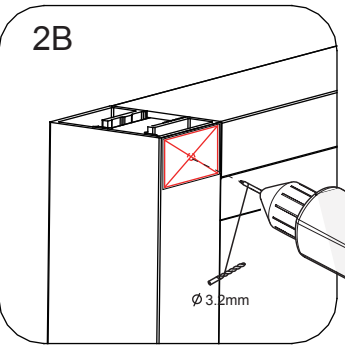
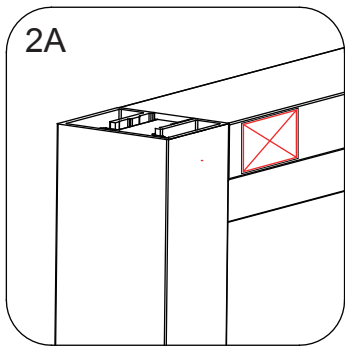
Installation Steps

Mark the shower locations on the wall.

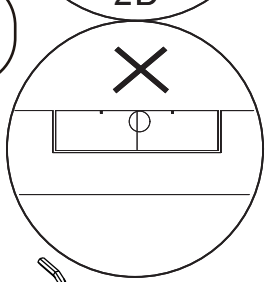
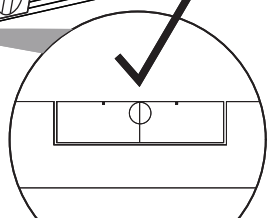


1

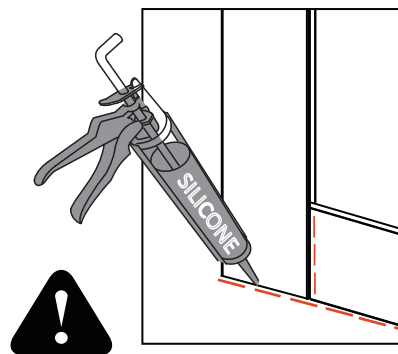
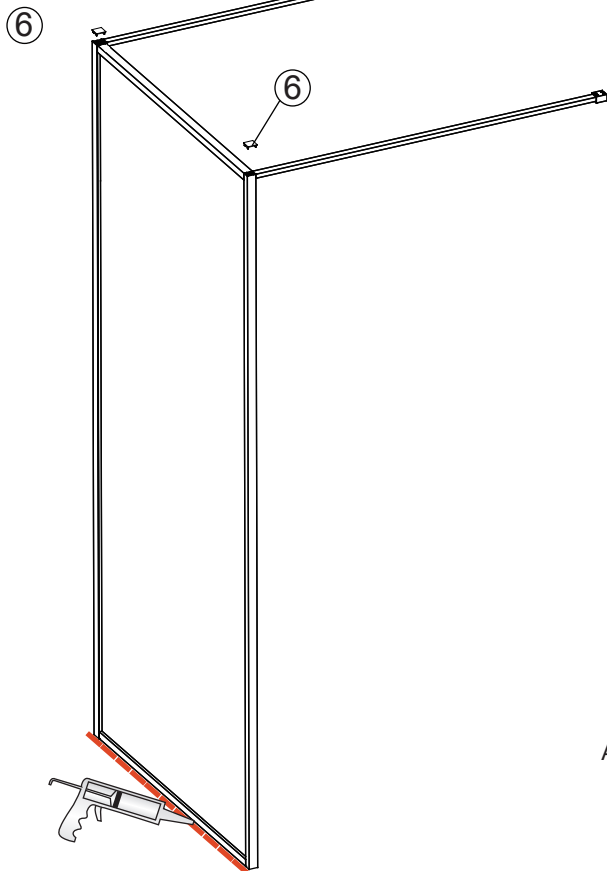
Install support bar



100% level



Seal the shower unit



Using a Neutral cure anti bacterial silicone seal the outside of your enclosure as shown. Seal the the bottom profile between the tray/floor and profile and also vertically up the join between the horizontal and vertical profile.



Allow 24 hours for silicone to dry before use.

	
Merlyn Industries Ltd (MER13)	
CEBSW1.1	
18	
EN 14428	
Shower enclosures with aluminium profiles and safety glass	
Cleanability	: Pass
Impact resistance/ shatter properties	: Pass
Durability	: Pass

To download the Declaration of Performance (DOP) for this product please use the link below.

<http://merlynshowering.com/aftersales-support/dop-certs/>

For further information please contact IRL: 056 7791 555, UK: 08081011429