

Installation Guide

BLKMB7L/R 2 Panel Hinged Bath Screen

IMPORTANT

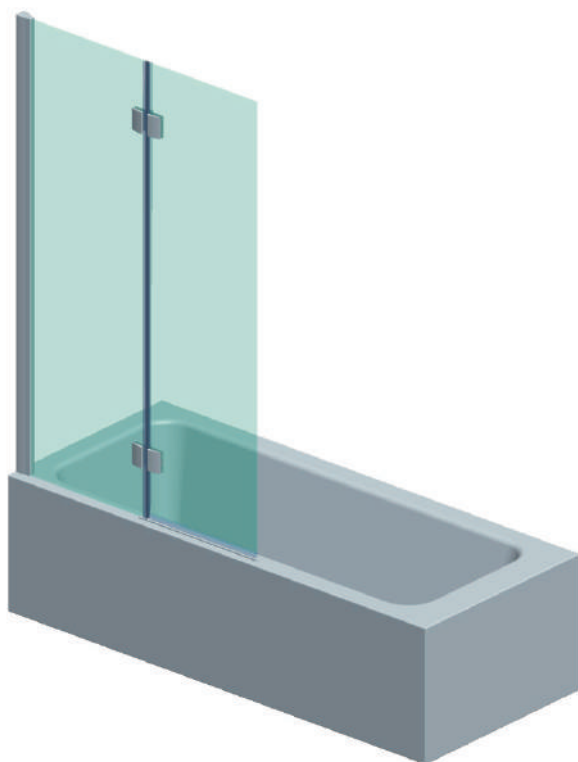
Please read the complete instructions before commencing fitting.

Do Not attempt to install the product unless you can tick all 4 boxes satisfactorily

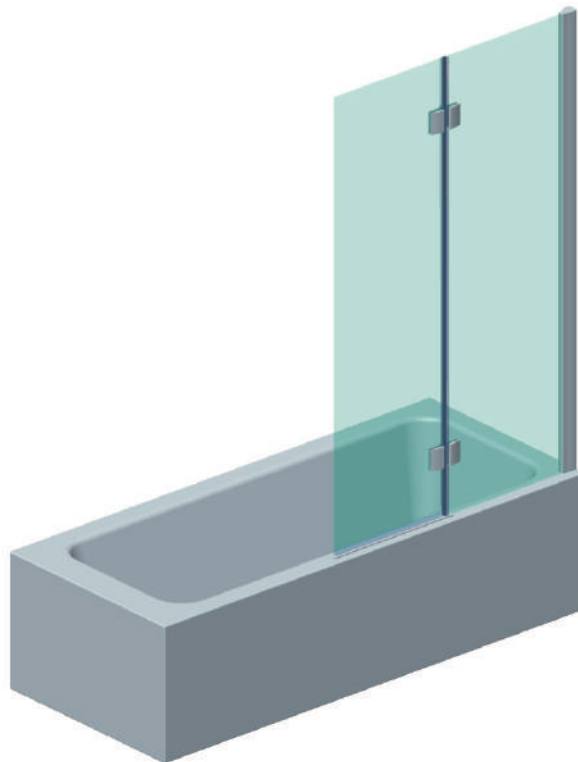
- Check that you have the tools required
- Check the installation site is compatible with the sizes of door supplied
- Check all the enclosure components are present
- Check the installation kit is complete

The wall plugs supplied with the installation kit are for use in solid walls. Hollow or 'stud partition' walls will require alternative fixings. Please consult a hardware supplier for the correct type. It may also be necessary to consult your tiling supplier about the correct method for drilling your tiles

ATTENTION: TAKE EXTREME CARE WHEN HANDLING GLASS. WEAR PROTECTIVE EYEWEAR AND CLOTHING. DO NOT LEAVE THE GLASS ON HARD SURFACES AND AVOID CONTACT BETWEEN THE GLASS EDGES AND HARD SURFACES OR IMPACTS DURING THE INSTALLATION

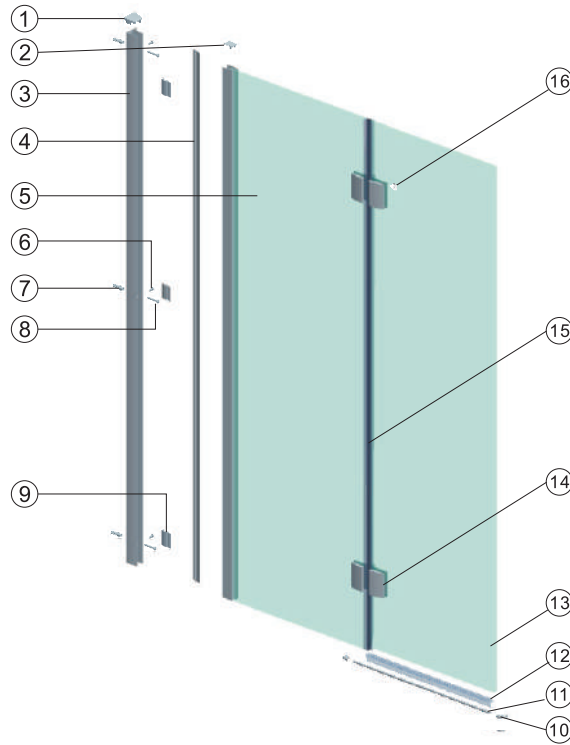


Left Hand



Right Hand

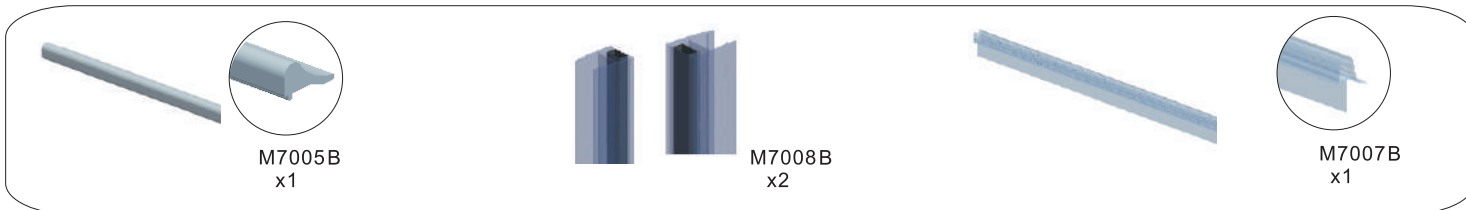
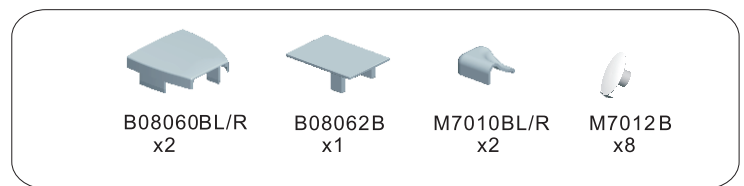
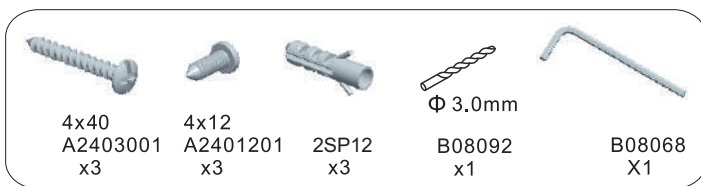
COMPONENTS AND BOX CONTENTS



No.	Description	QTY	Part No.	No.	Description	QTY	Part No.
1	Cover cap for wall profile L/R	1	B08060BL/R	9	Plastic part for cover strip	3	M7009
2	Cover cap for upright profile	1	B08062B	10	Luna rail end cap L/R	2	M7010BL/R
3	Wall profile	1	M7003B	11	Luna rail	1	M7005B
4	Cover strip	1	M7004B	12	Bottom seal	1	M7007B
5	Fixed panel	1		13	Moving panel	1	
6	Screw ST4x12	3	A2401201	14	Hinge	2	M7006B
7	∅6 x 30 wall plug	3	2SP12	15	Vertical magnet seal	1	M7008B
8	Flat head screw ST4x40	3	A2403001	16	Cover cap for hinge	8	M7012B

FIXING KIT COMPONENTS, TOOLS REQUIRED, SITE

Fixing Kit components
parts shown are not to scale



Tools Required

- 6mm masonry drill bit
- Spanner
- Power drill
- Quality Silicone
- Pencil
- Tape Measure
- PH2 Philips Head screw drive
- Spirit level with horizontal and vertical level indicators

IMPORTANT - Installation site

1. Ensure your bath is level before fitting. This screen is not designed to fit on baths with stepped fronts, roll top rims or integral soap dishes.
2. The tiling or other wall finishing should be effectively sealed at the tray edges.

INSTALLATION

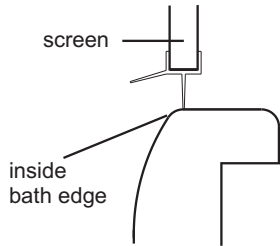


FIG 1

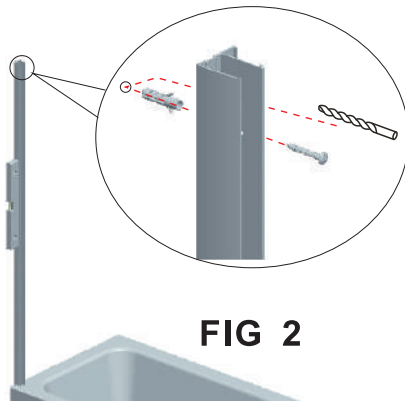


FIG 2

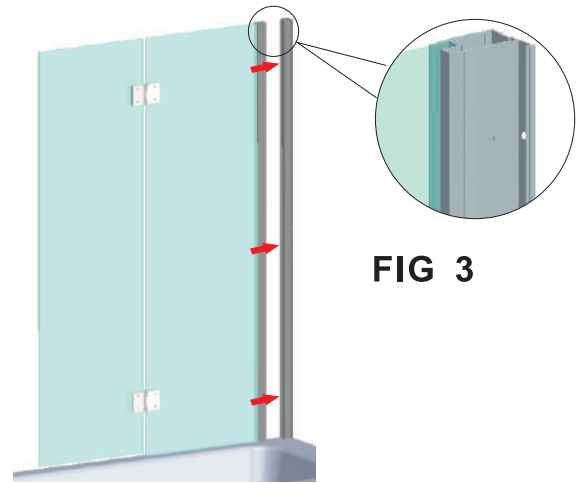


FIG 3

1. Position the wall profile so the seal on the moving panel sits on the inside edge of the bath. **Fig 1.**

2. Plumb the wall profiles using the vertical element of the spirit level. Mark 3 holes, drill with 6mm masonry bit and fit wall plugs. Using the 3 screw fix wall profile to wall. **Fig 2.**

3. Insert the screen into the wall profile. Ensure the bottom edge of the moving panel is parallel to the top surface of the bath. **Fig 3.**

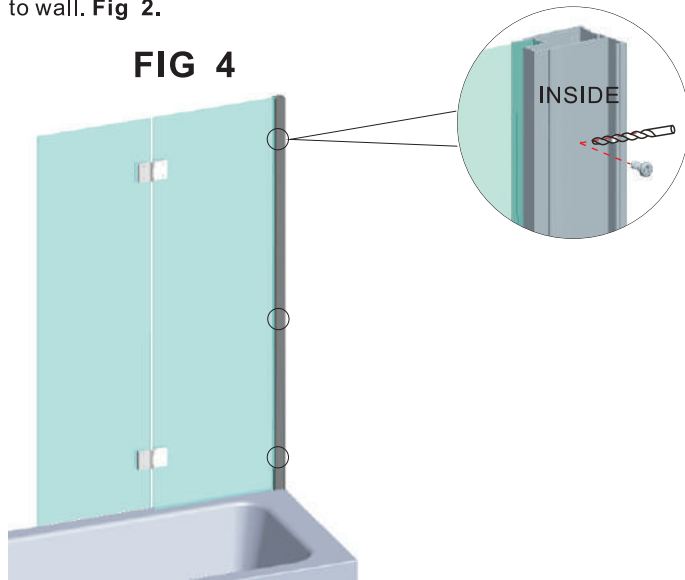


FIG 4

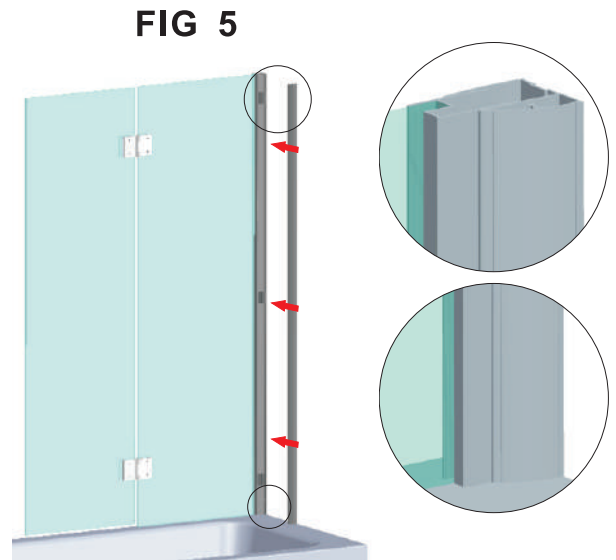


FIG 5

4. Drill 3 holes through the wall profile and fixed panel using a 3.0mm steel drill bit. Using the screws, fix the screen upright to the wall profile in 3 places. **Fig 4.**

5. Attach the cover strip to the wall profile. Starting at the bottom firmly press cover strip into place and gradually work from bottom to top **Fig 5.**

6. Fix the top cover cap (B08062B) to upright profile and top cover cap (B08060B) to wall profile (M7003B). **Fig 6.**

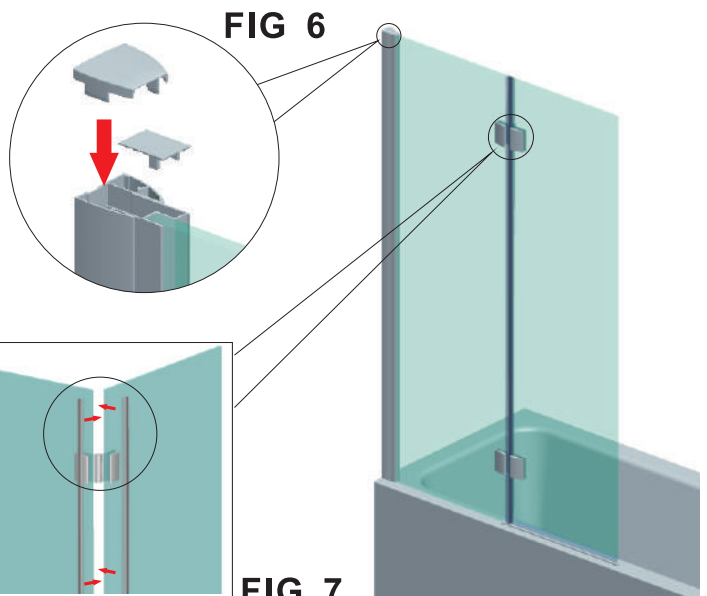


FIG 6

7. Position moving panel at 90 degrees to the fixed panel. Starting at the bottom push on magnet seals fully. Open the moving panel and ensure both seals meet fully and provide a complete seal. If there is a gap push both seals together. **TIP!** Leave a slight gap between the bath top and the bottom of the moving panel seal. **Fig 7.**

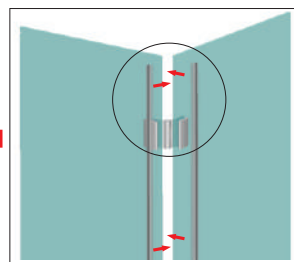
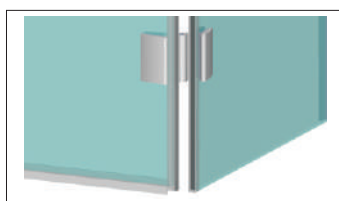


FIG 7

8. Fix the cover cap(M7012B) to both hinge. **Fig 8.**

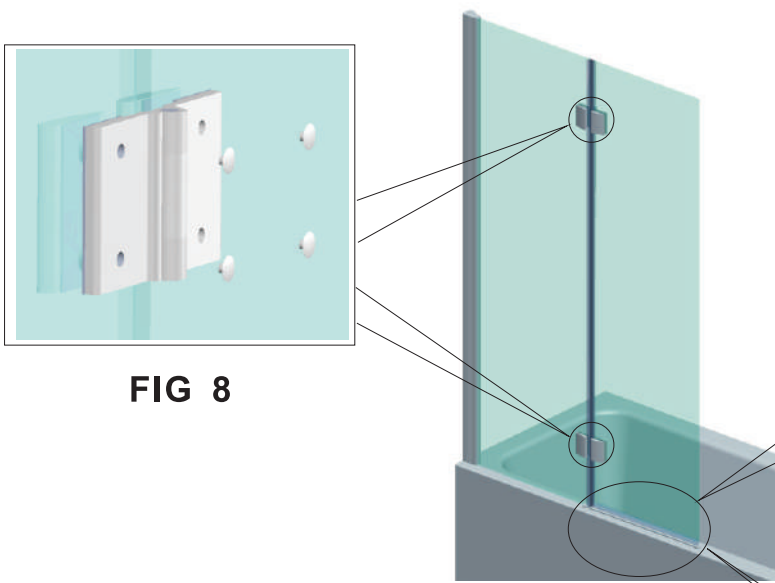


FIG 8

9. Fix the bottom seal. **Fig 9.**

IMPORTANT: Ensure bottom seal is tight to bath top surface along the screen. Keep deflector fin to inside.

FIG 9

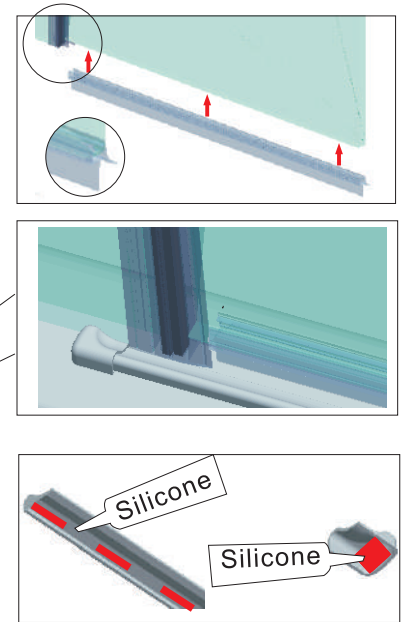
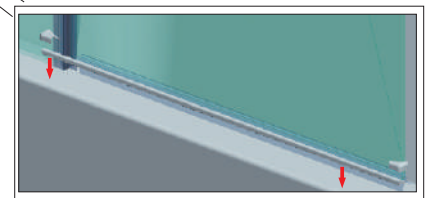
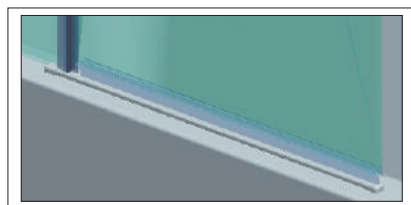


FIG 10



10. Fix the luna rail on top of bath. Put a dab of silicone to bottom of each luna rail end cap (note left & right) and a thin bead of silicone to the bottom of the luna rail. Fit cap to end of fixed panel and carefully place luna rail into end cap. Ensure the luna rail is parallel to the bath edge. **Fig 10.**

11. Sealing. **Fig 11.**

Inside

Seal between the wall and the wall profile.

Outside

Seal between the wall and the wall profile.

From the base of the frame seal approx.50mm between the joint of the wall profile and the frame.

Seal the joint between the bath edge and the frame starting from the wall and finishing just before the bottom seal.

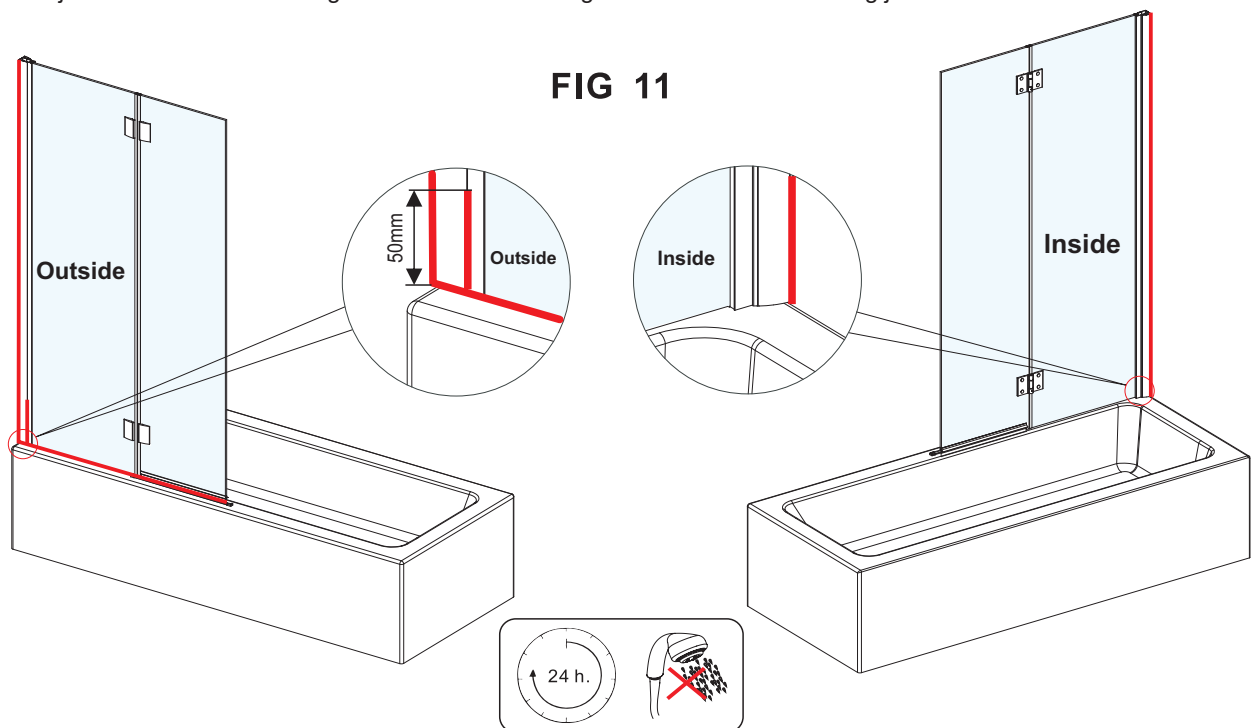


FIG 11