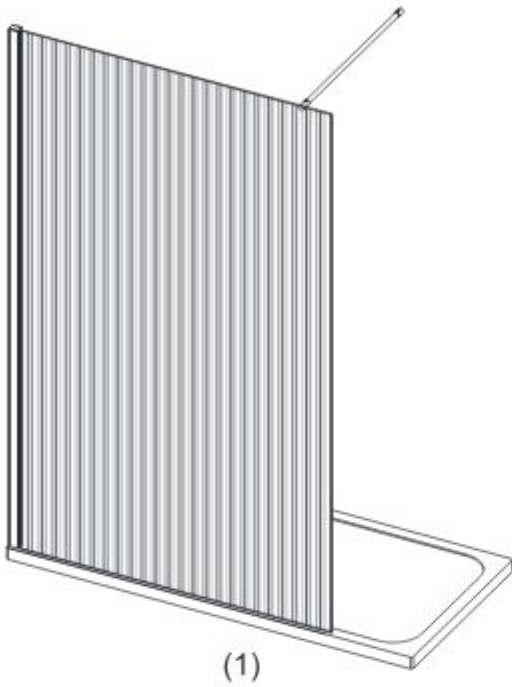


# MERLYN™

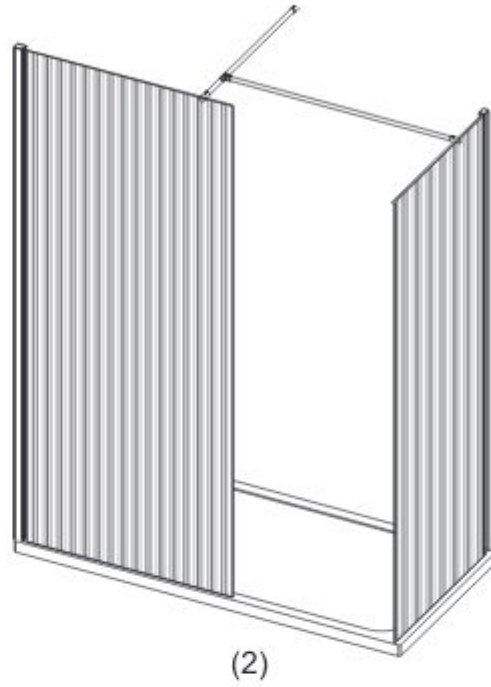
---

## Wetroom Collection

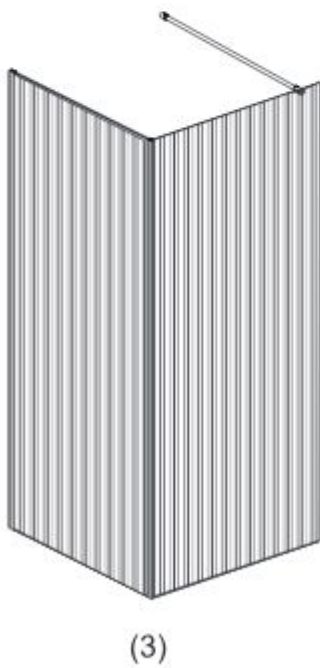
8mm Wetroom Panel



8mm Wetroom End Panel



Corner Panel



### INSTALLATION GUIDE

## IMPORTANT:

Please read the complete instructions  
before commencing fitting.

Make sure the tray is 100% level in all directions. Do Not attempt to install the product unless you can tick all 4 boxes satisfactorily.

- . Check that you have the tools required
- . Check the installation site is compatible with sizes of door supplied
- . Check all the enclosure components are present
- . Check that the installation kit is complete

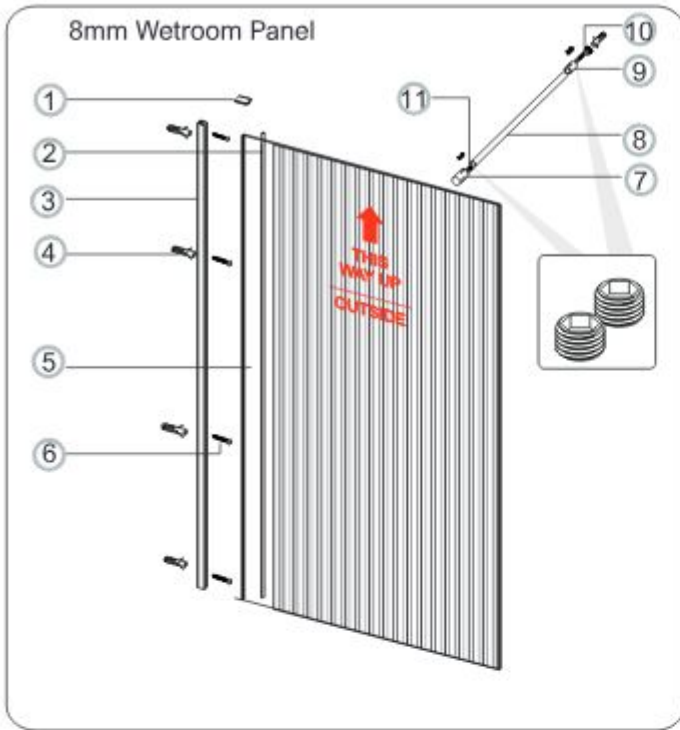
If you install the product in a way that differs from this manual this will void all guarantees. Before installation check that the product meets all your requirements and is not damaged. By proceeding with installation, you accept the condition of the product.

The wall plugs supplied with the installation kit are for use in solid walls. Hollow or 'stud partition' walls will require alternative fixings. Please consult a hardware supplier for the correct type.

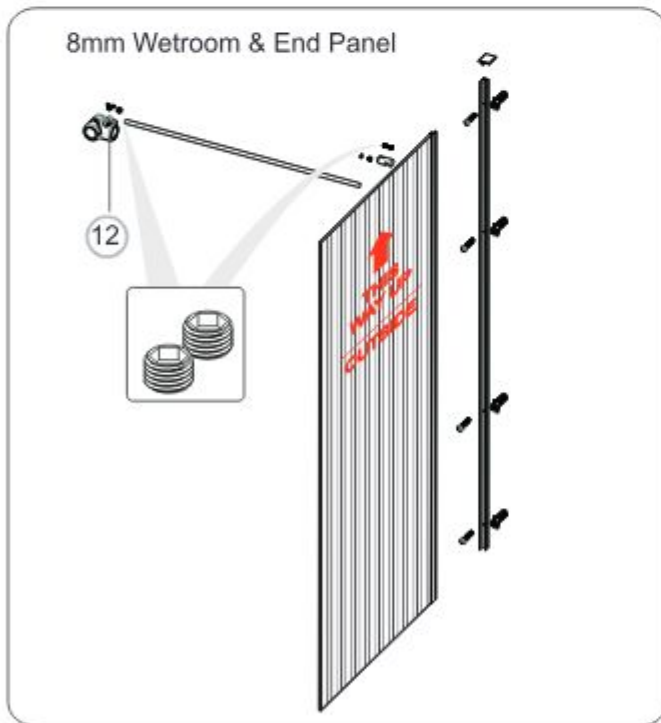
It may also be necessary to consult your tiling supplier about the correct method for drilling your tiles.

**ATTENTION: TAKE EXTREME CARE WHEN HANDLING GLASS, WEAR PROTECTIVE EYEWEAR AND CLOTHING. DO NOT LEAVE THE GLASS ON HARD SURFACES AND AVOID CONTACT BETWEEN THE GLASS EDGES AND HARD SURFACES OR IMPACTS DURING THE INSTALLATION.**

No.	Size Taille Größe Maat	Adjustment Ajustement Anpassung Aanpassing	No.	Size Taille Größe Maat	Adjustment Ajustement Anpassung Aanpassing
(1)(2)(3)	300	275-290	(1)	1000	975-990
(1)(2)(3)	400	375-390	(1)	1100	1075-1090
(1)(2)(3)	500	475-490	(1)	1200	1175-1190
(1)(2)(3)	600	575-590	(1)	1400	1375-1390
(1)(2)(3)	700	675-690	(1)	1600	1575-1590
(1)(2)(3)	760	735-750			
(1)(2)(3)	800	775-790			
(1)(2)(3)	900	875-890			

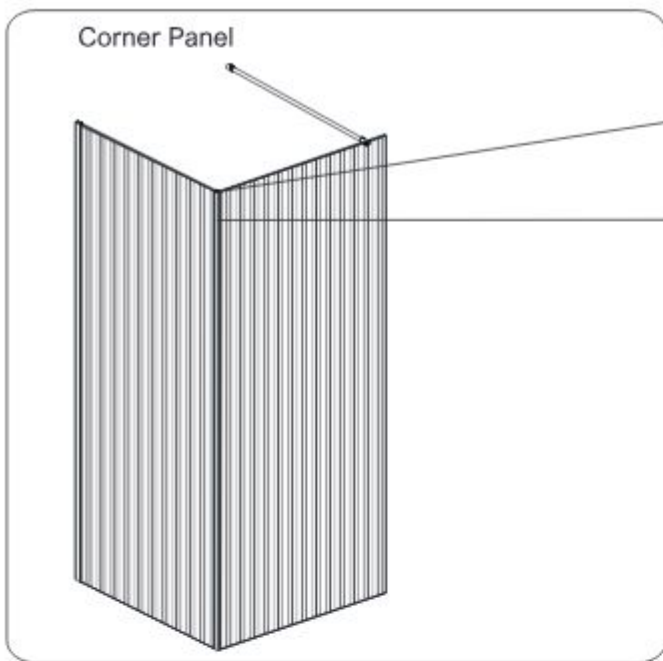


No.	Qty	PART DESCRIPTION	CHROME	MATT BLACK	BRUSHED BRASS	BRUSHED BRONZE
1	1	WALL PROFILE COVER CAP	A04S0028	A04S0028B	N/A	N/A
2	1	WEDGE GASKET	A04S0016	A04S0016B	A04S0032	A04S0032
3	1	WALL PROFILE	A04S0027	A04S0027B	A04S0027BBR	A04S0027BBZ
4	5	WALL PLUG	SP02SP12	SP02SP12	SP02SP12	SP02SP12
5	1	GLASS PANEL	A	A	A	A
6	5	FRAME FIXING ROUND SCREW	SP02SY51	SP02SY51	SP02SY51	SP02SY51
7	1	MERLYN GLASS CLAMP	N125CH	N125MB	N125BBR	N125BBZ
8	1	1000mm ROUND BRACING BAR	SP0N068	SP0N068B	SP0N068BBR	SP0N068BBZ
9	1	WALL BRACKET & GRUB SCREWS	SP0N071	SP0N071B	SP0N071BBR	SP0N071BBZ
10	1	WALL BRACKET SCREW NUT	SP0N072	SP0N072B	SP0N072	SP0N072
11	1	GLASS CLAMP GRUB SCREW	SP0N070	SP0N070B	SP0N070	SP0N070

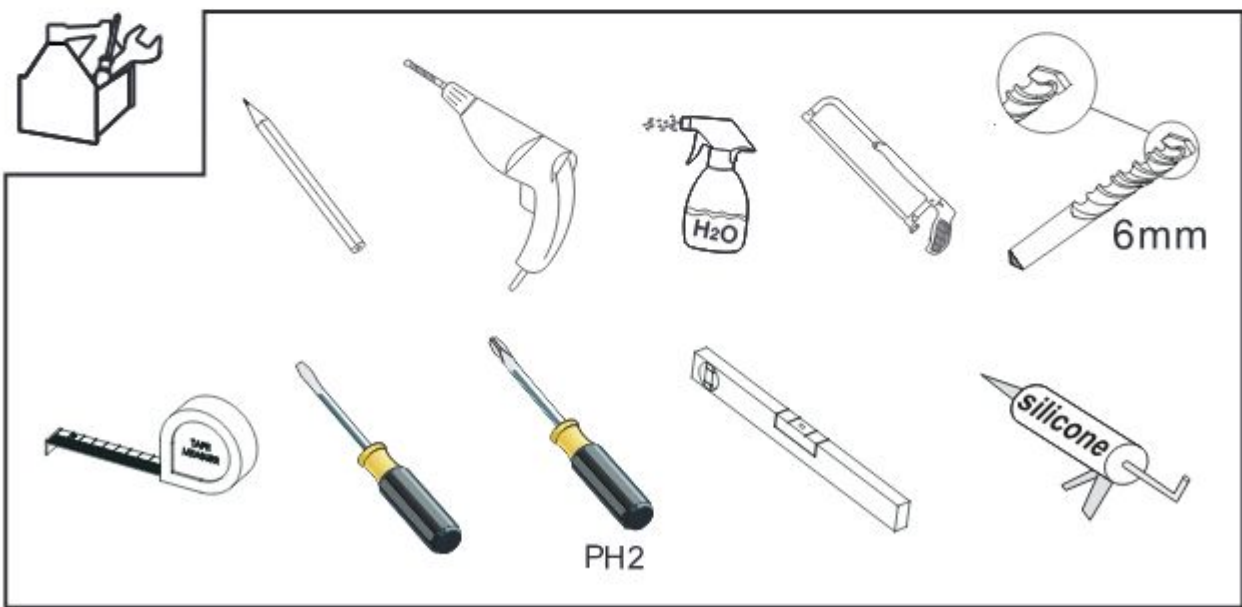


Note: T-piece bracket is supplied with sizes 700,800 & 900mm

No.	Qty	PART DESCRIPTION	CHROME	MATT BLACK	BRUSHED BRASS	BRUSHED BRONZE
12	1	T-SHAPE BRACKET	A04S0010	A04S0010B	A04S0010BBR	A04S0010BBZ

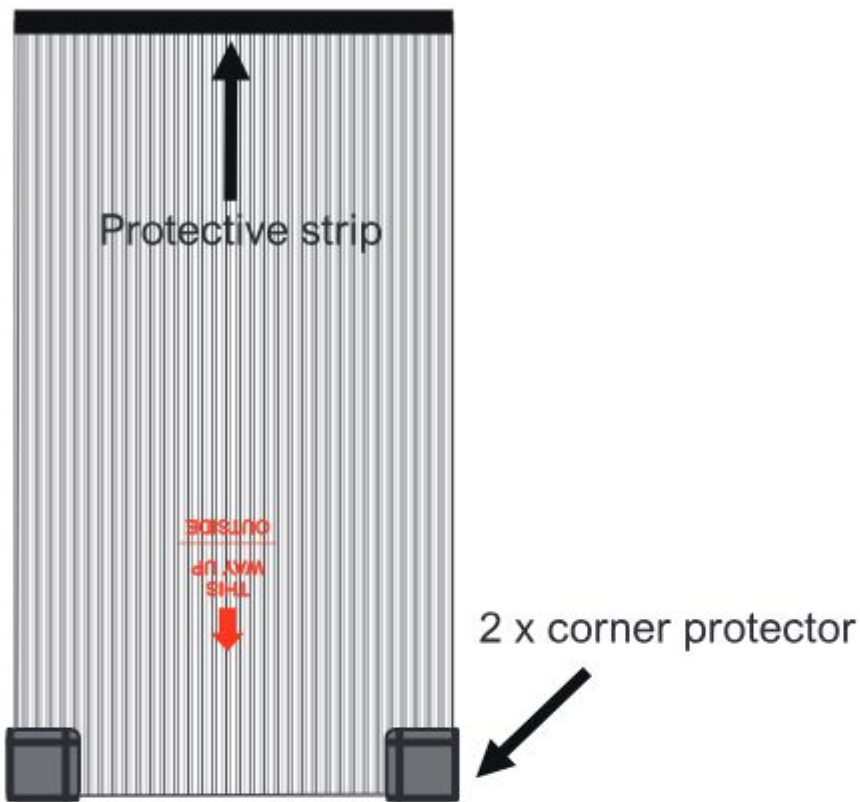


No.	Qty	PART DESCRIPTION	CHROME	MATT BLACK	BRUSHED BRASS	BRUSHED BRONZE
12	1	CORNER POST PROFILE	8WCR	8WCRMB	8WCRBBR	8WCRBBZ
13	2	WEDGE GASKET	A04S0016	A04S0016B	A04S0032	A04S0032

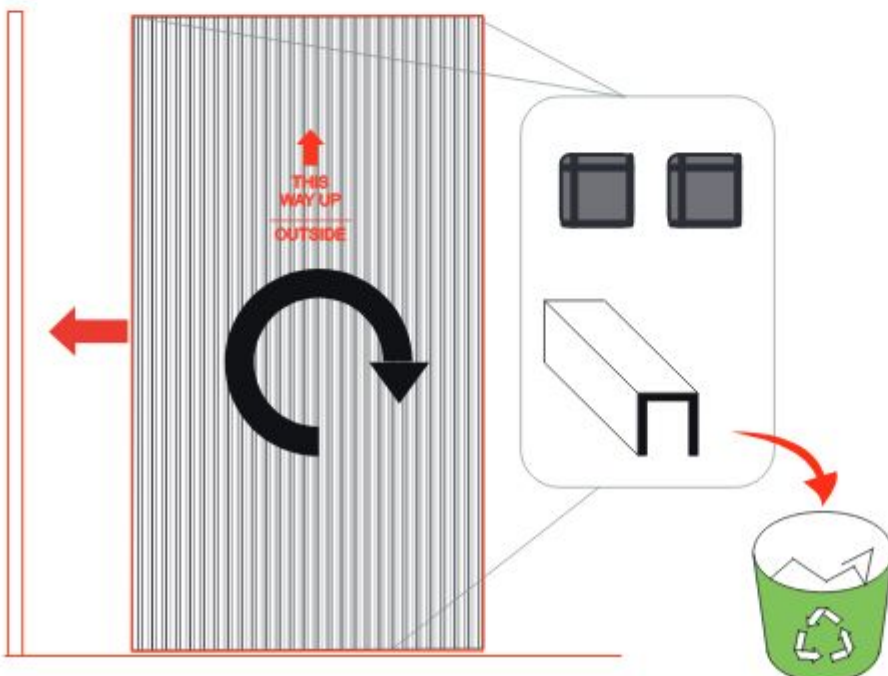


# ATTENTION !!

Note that the glass panel is packed upside down and should be stored this way until final assembly into the wall profile.



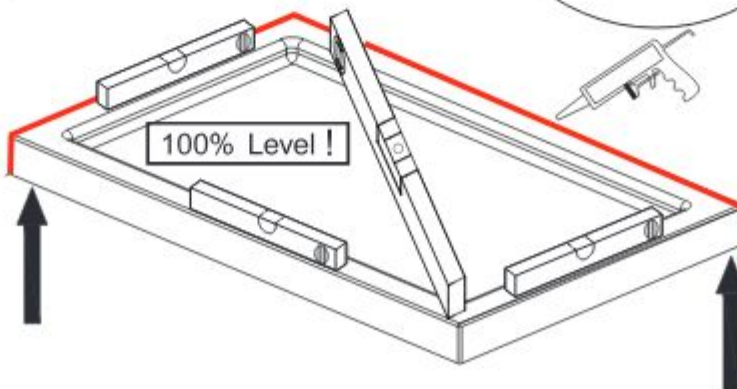
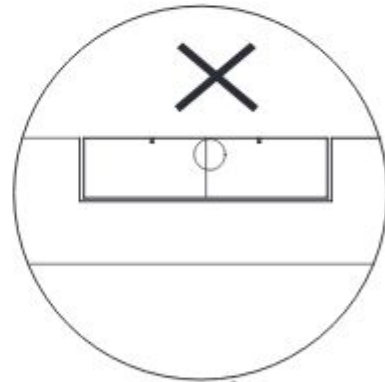
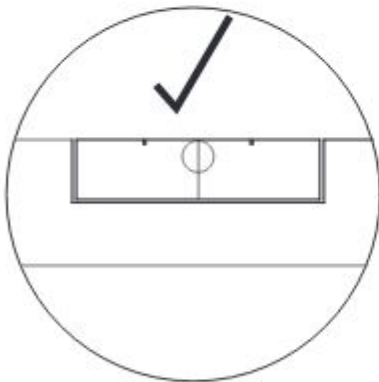
Rotate the panel and remove the protective packaging just prior to assembly into the wall profile.



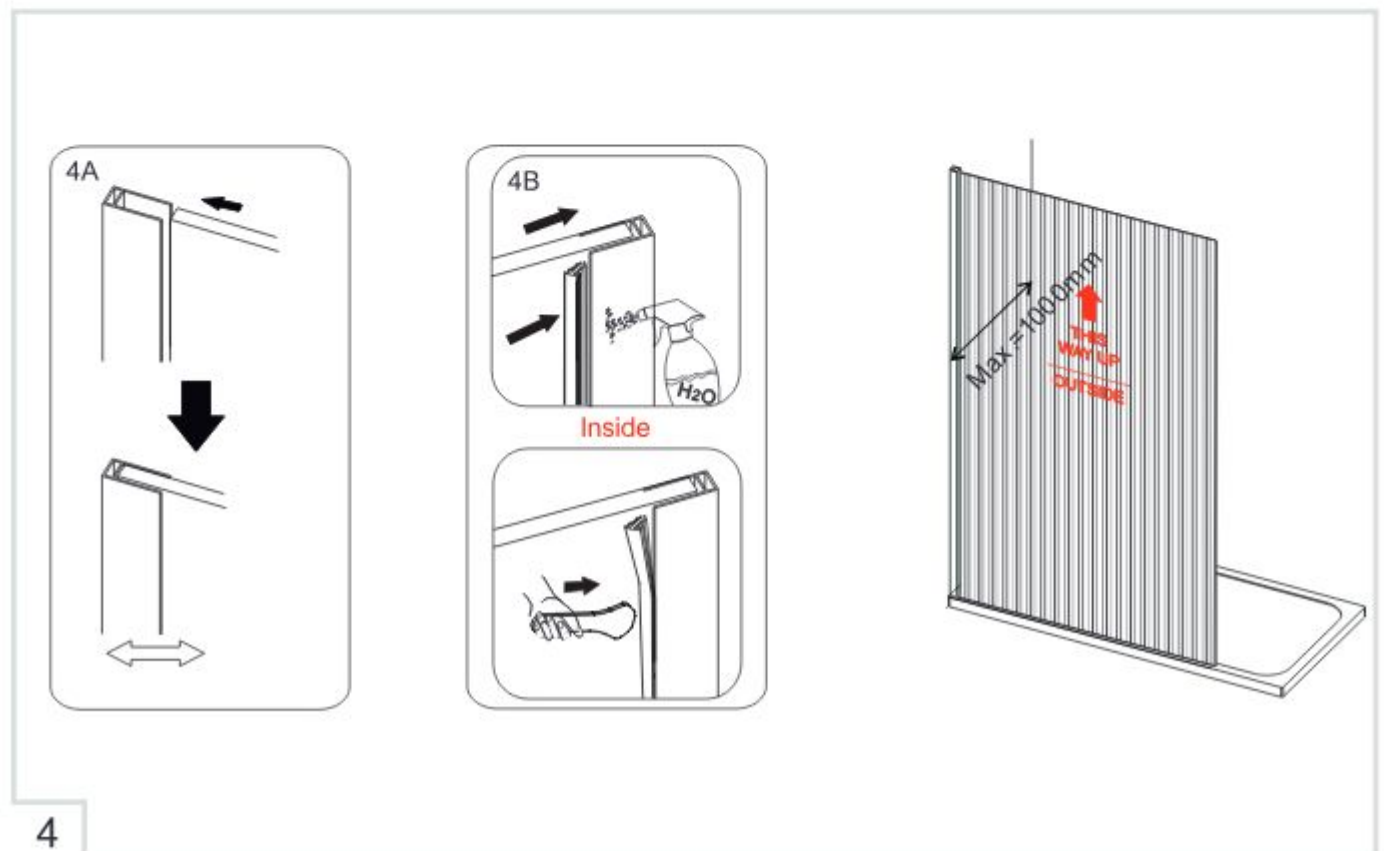
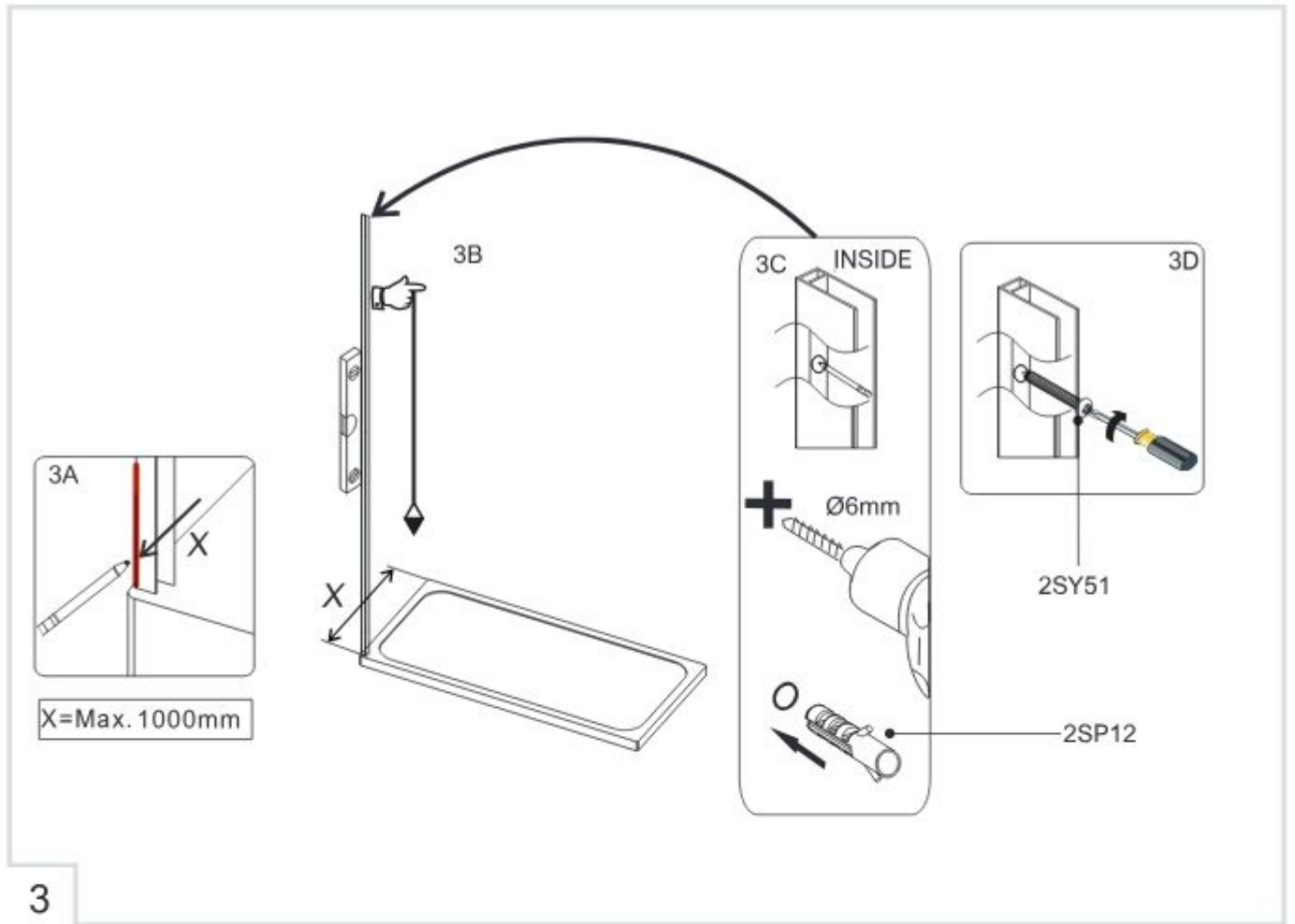
# 8mm Wetroom Panel

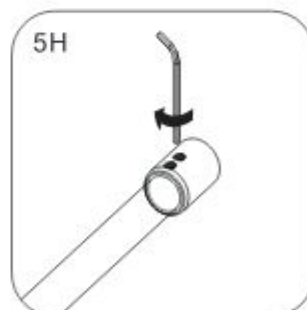
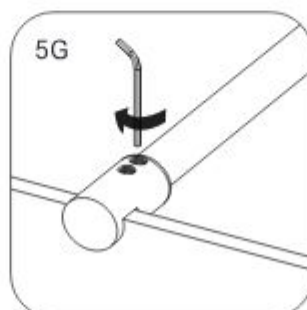
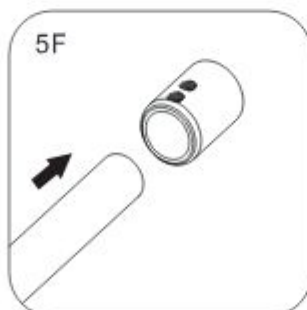
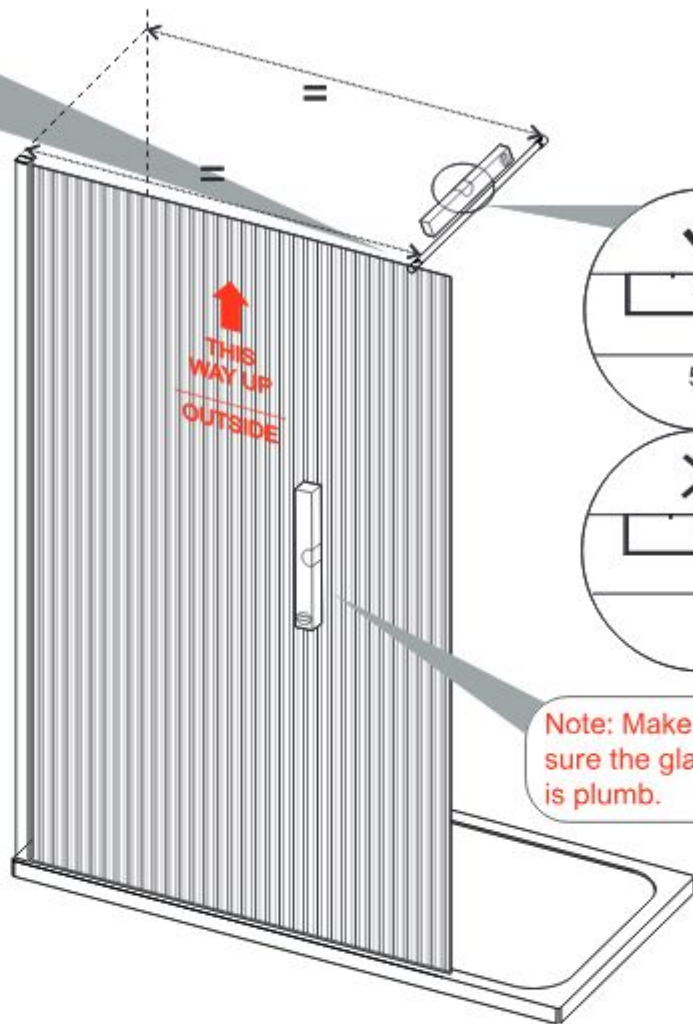
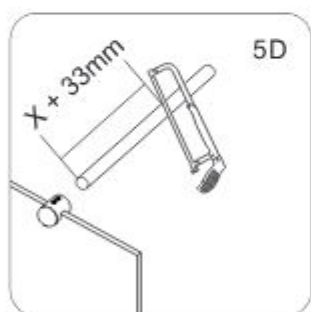
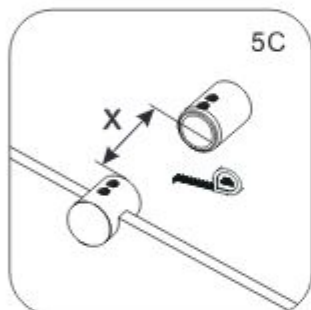
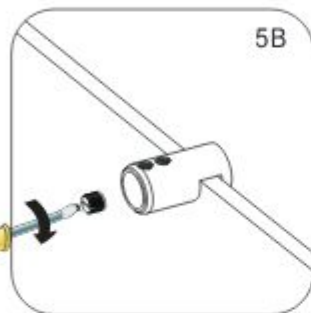
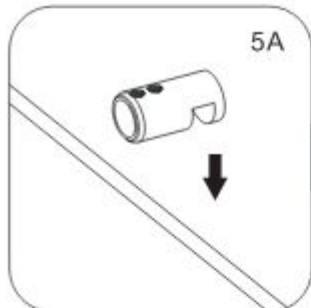


1



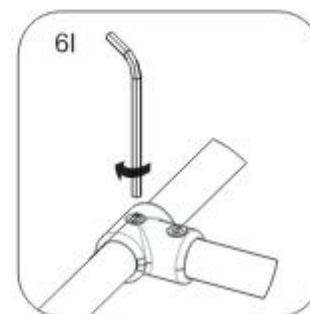
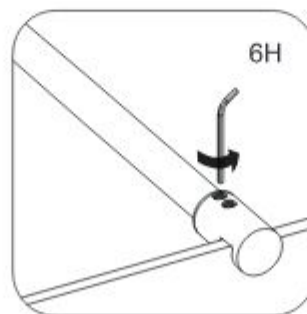
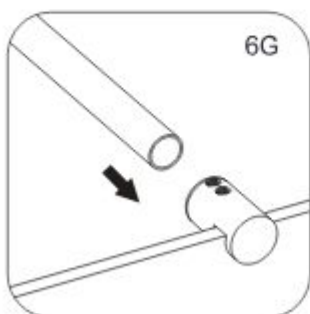
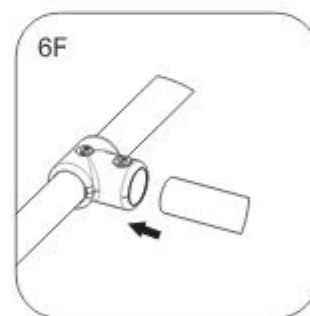
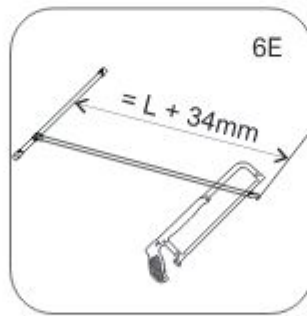
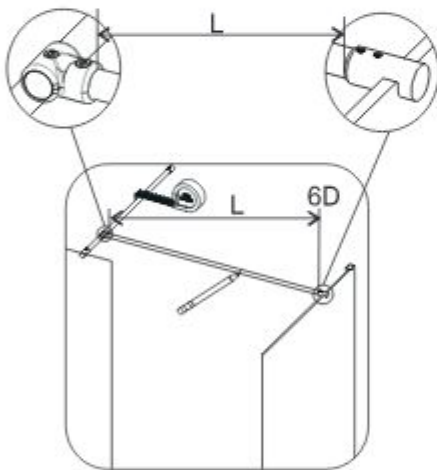
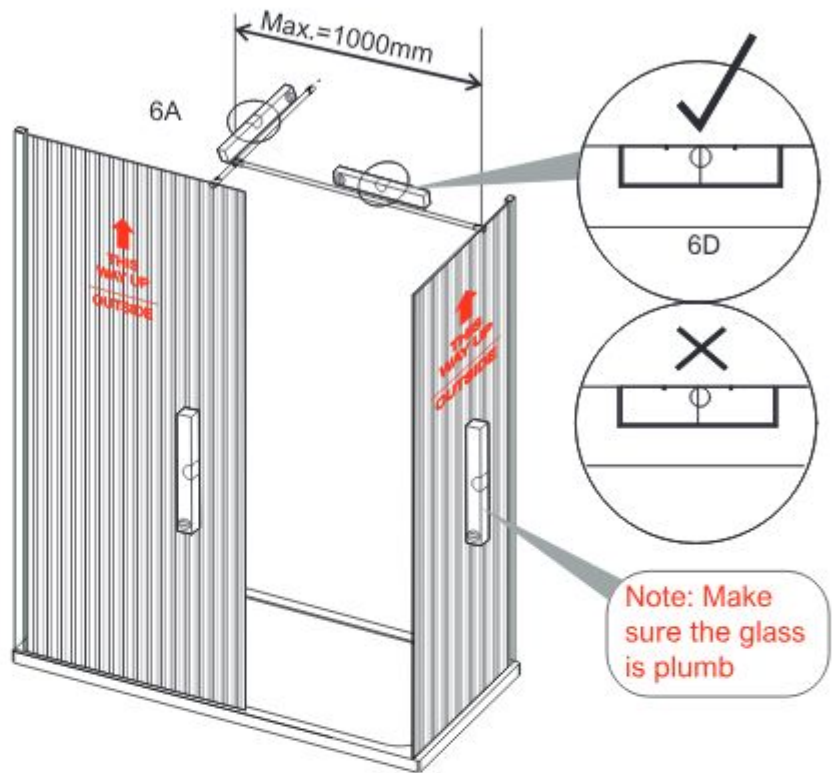
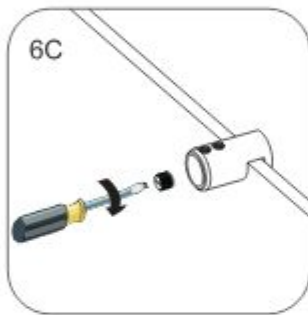
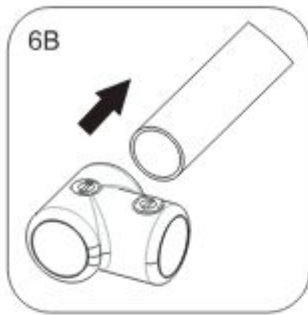
2



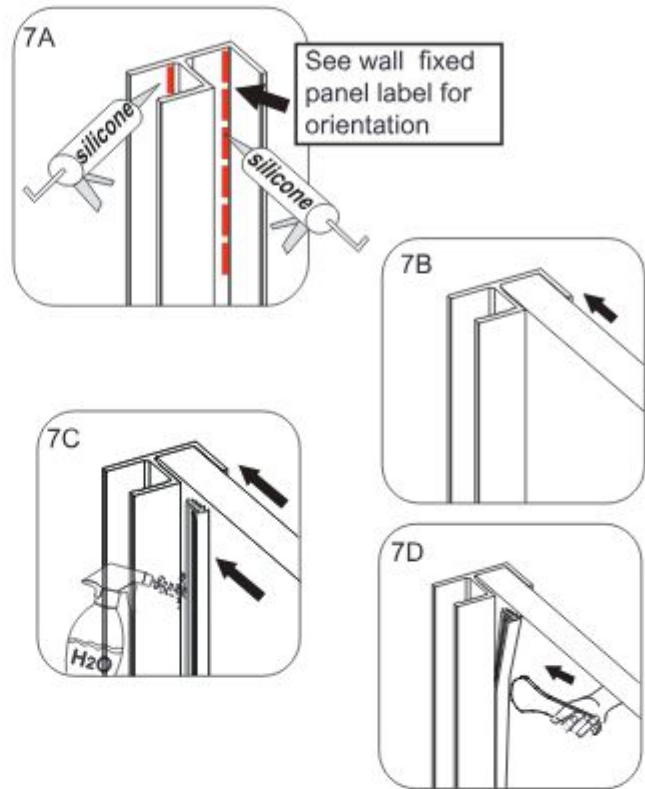
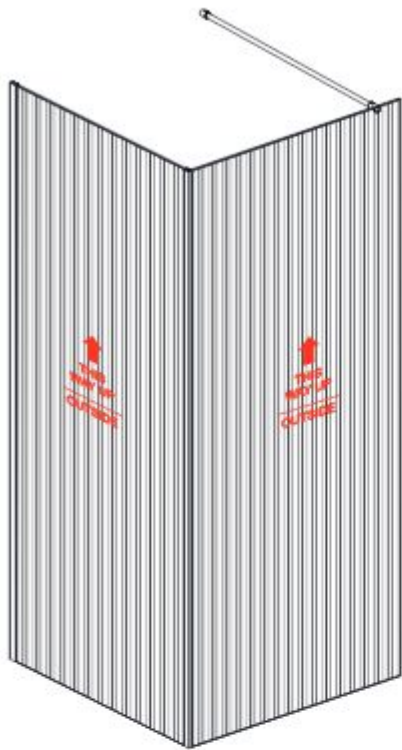




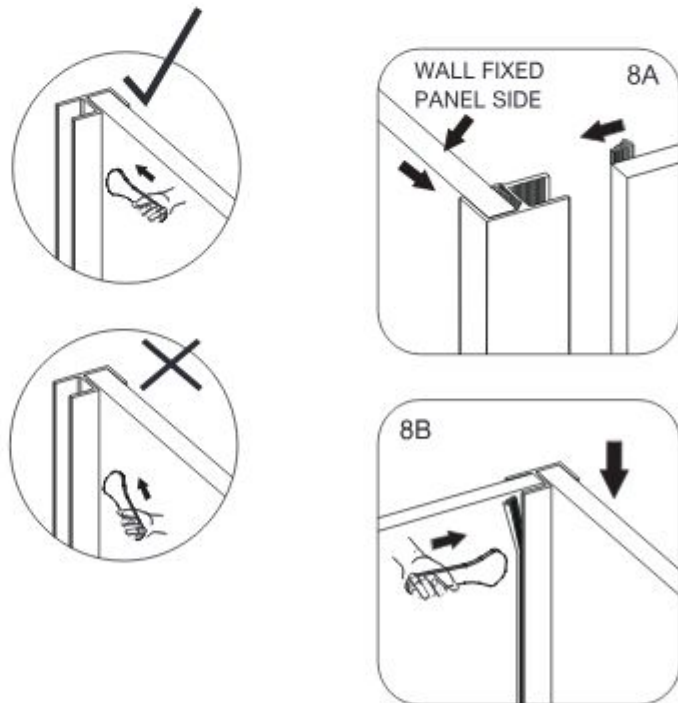
# 8mm Wetroom & End Panel



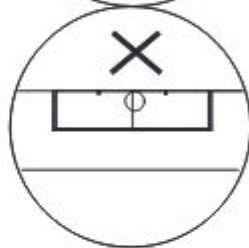
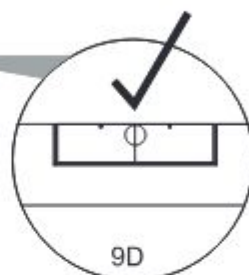
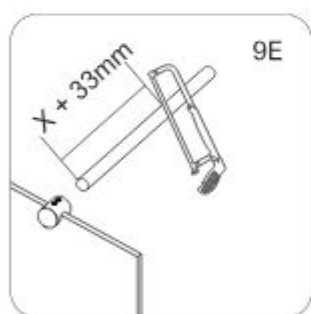
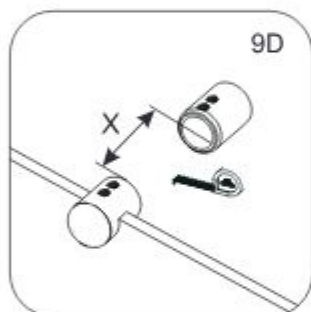
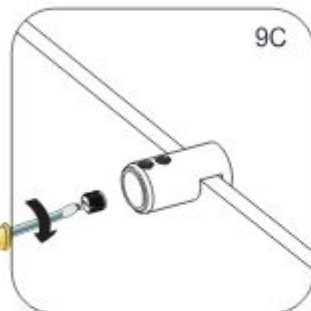
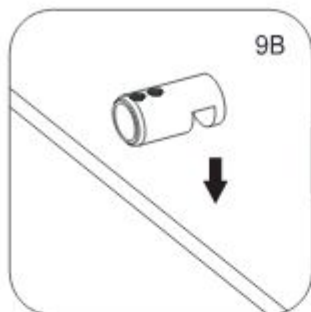
# Corner Panel



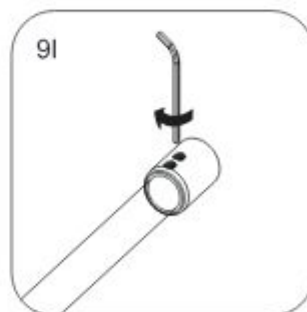
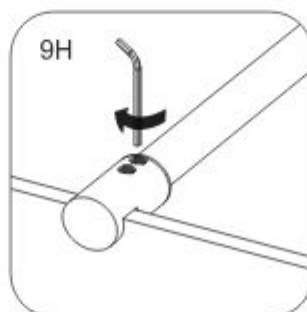
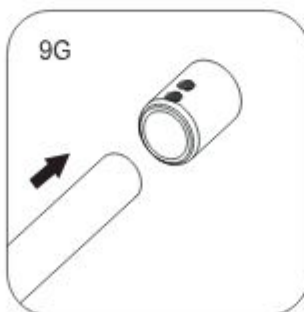
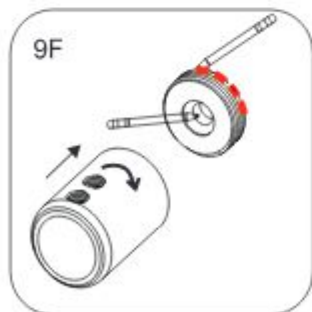
7

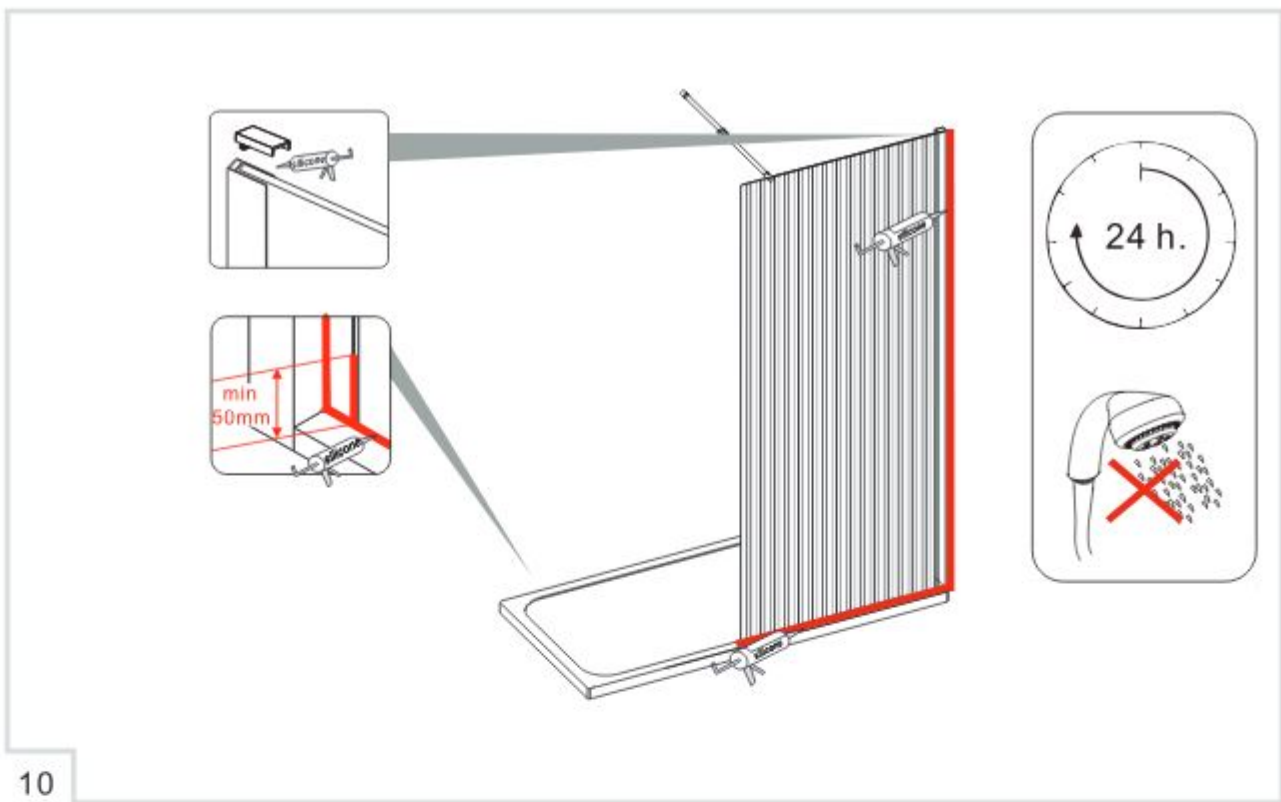


8

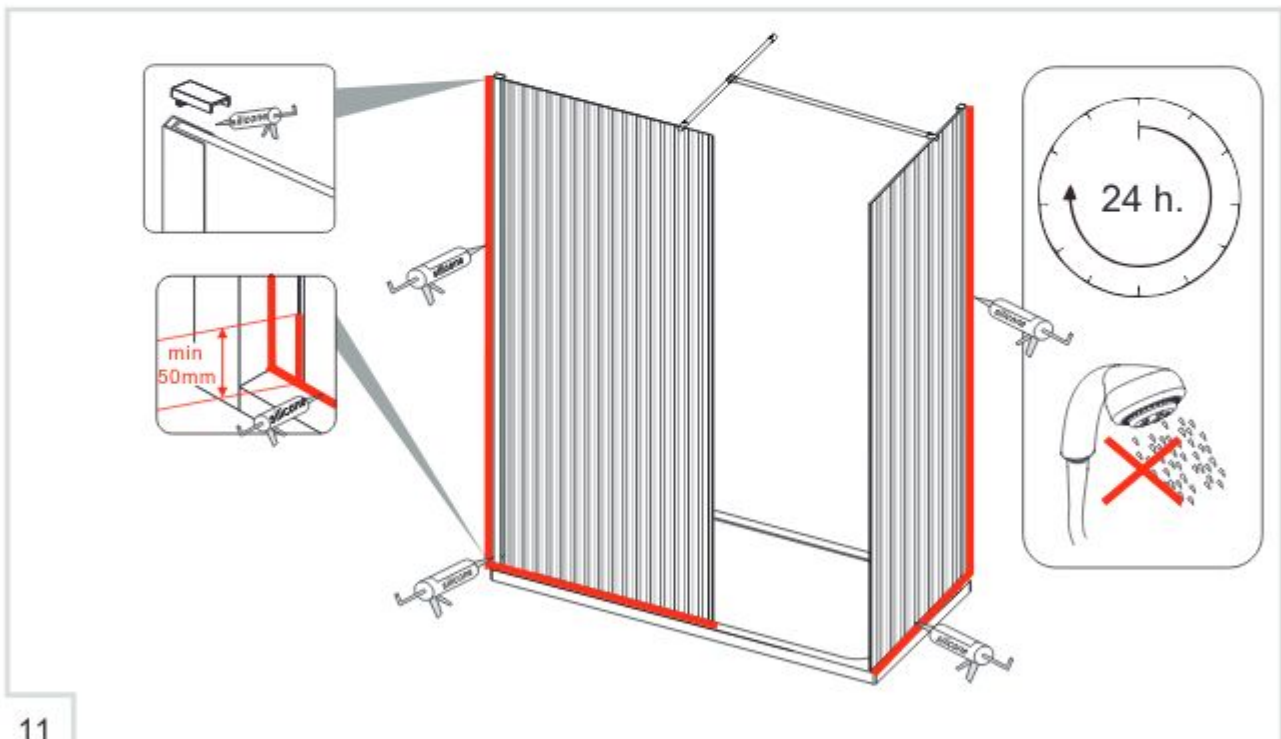


Note: Make sure the glass is plumb.





10



11

Before sealing make sure all surfaces are clean, dry and free from any residue such as grout. Use quality silicone sealant and applicator gun to finish the wetroom panels.

Seal top to bottom on the **OUTSIDE** between the wall and the wall profile. Seal along the bottom on the **OUTSIDE** between the glass/rail/profile and the tray or floor. Seal approx 50mm up between the glass and the wall profile.

**DO NOT USE FOR 24 HOURS!**

To download the Declaration of Performance (DOP) for this product please use the link below.  
<https://medynshowering.com/aftersales-support/dop-certs/>  
 or further information please contact IRL: 0567791555, UK:08081011429