

MERLYN™ Bath Screens

MB14 FIXED PANEL BATH SCREEN

IMPORTANT:

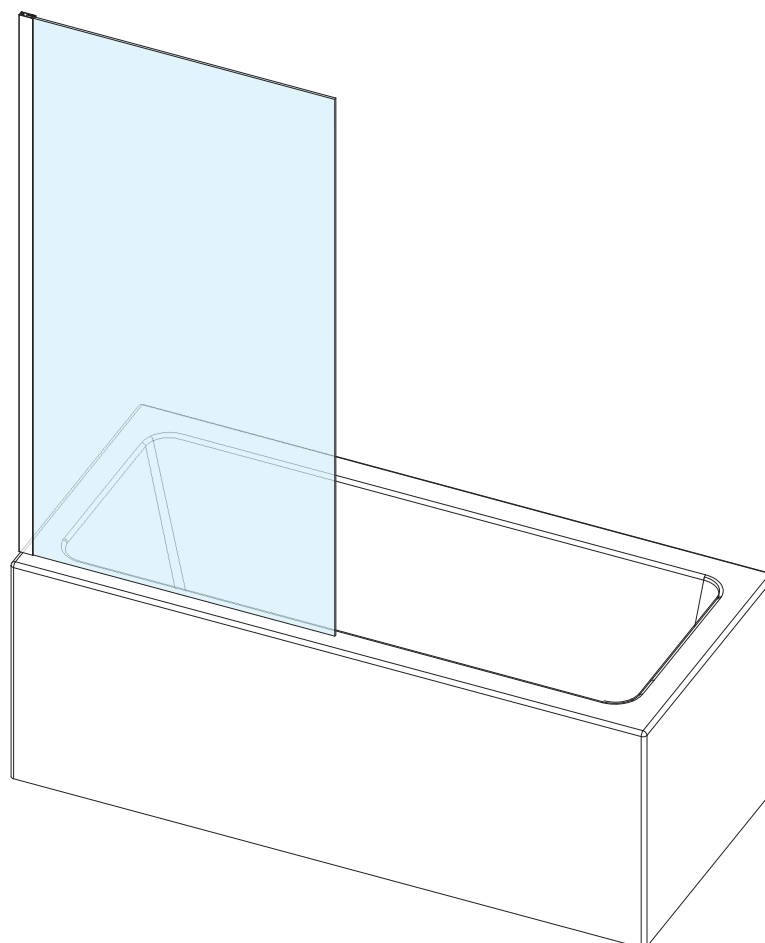
Please read the complete instructions
before commencing fitting.

Do Not attempt to install the product unless you can tick all 4 boxes satisfactorily.

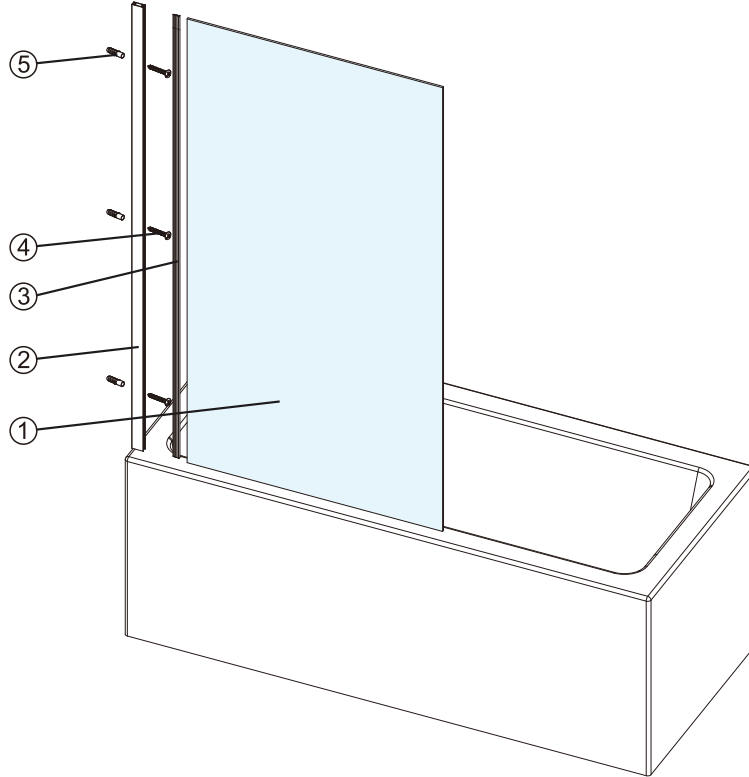
- Check that you have the tools required
- Check the installation site is compatible with the size of bath screen supplied
- Check all the bath screen components are present
- Check the installation kit is complete

If you install the product in a way that differs from this manual this will void all guarantees. Before installation check that the product meets all your requirements and is not damaged. By proceeding with installation, you accept the condition of the product.

The wall plugs supplied with the installation kit are for use in solid walls. Hollow or 'stud partition' walls will require alternative fixings. Please consult a hardware supplier for the correct type. It may also be necessary to consult your tiling supplier about the correct method for drilling your tiles.

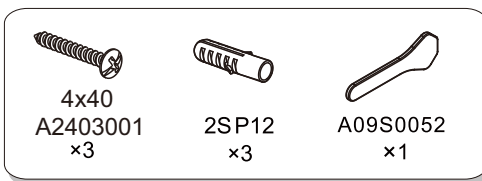


COMPONENTS AND BOX CONTENTS



No.	Qty	PART DESCRIPTION	MATT BLACK	BRUSHED BRASS	BRUSHED BRONZE
1	1	GlassPanel	A	A	A
2	1	Wall Profile	SP0MBS11MB	SP0MBS11BBR	SP0MBS11BBZ
3	1	Wedge Gasket	SP0MOBY020B	SP0MOBY020	SP0MOBY020
4	3	Wall Screw ST4x40mm	A2403001	A2403001	A2403001
5	3	Wall Plug Ø6	SP02SP12	SP02SP12	SP02SP12

Fixing Kit components



NOTE:

Matt Black Colour Finish = BLK/ MB
 Brushed Brass Colour Finish = BBR
 Brushed Bronze Colour Finish = BBZ

Tools Required

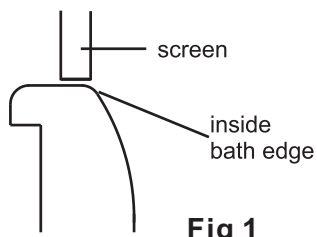
- 6mm Masonry drill bit
- Power Drill
- Quality Silicone
- Pencil
- Tape Measure
- PH2 Phillips Head screwdriver
- Spirit Level with horizontal and vertical indicators

IMPORTANT – Installation Site

- 1.Ensure your bath is level before fitting. This screen is not designed to fit on baths with stepped fronts, roll top rims or integral soap dishes.
- 2.The tiling or other wall finishing should be effectively sealed at the bath edges

INSTALLATION

1. Position the wall profile so the fixed panel A sits on the inside edge of the bath Fig 1.



2. Plumb the wall profile using the vertical element of the sprit level. Mark 3 holes, drill with 6mm masonry bit and fit the wall plugs 2SP12. Using the 3 screws A2403001, fix the wall profile to the wall, Fig 2.

3. Insert the glass panel into the wall profile. NOTE: Max adjustment if the glass panel in the wall profile is 15mm, Fig 3.

4. Insert the wedge gasket to the inside of the wall profile using A09S0052. Start at the bottom, pushing the seal in fully, Fig 4.

Fig 2

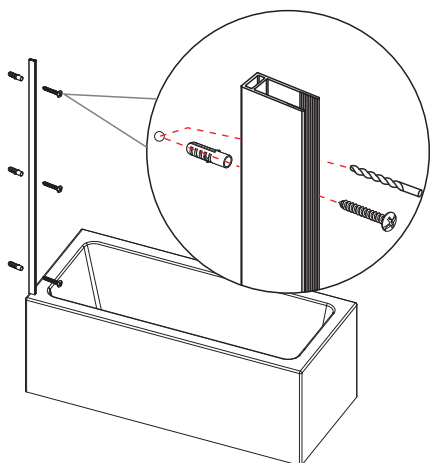


Fig 3

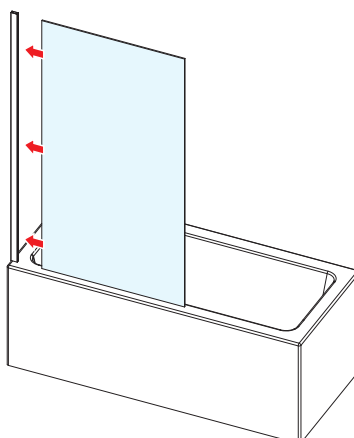
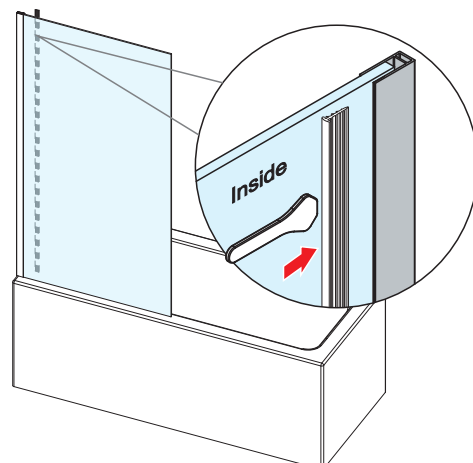


Fig 4

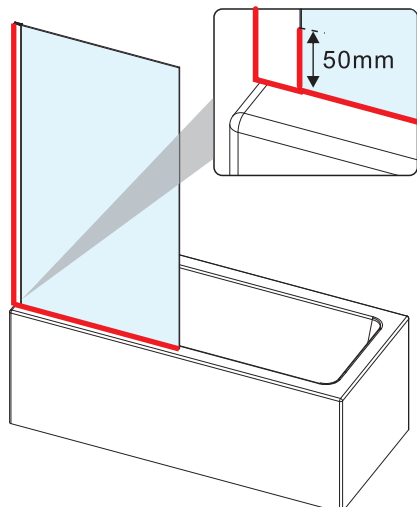


5. Before sealing make sure all surfaces are clean, dry and free from any residue such as grout. Use quality silicone sealant and applicator gun to finish the bath screen.

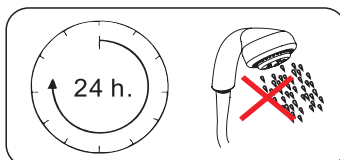
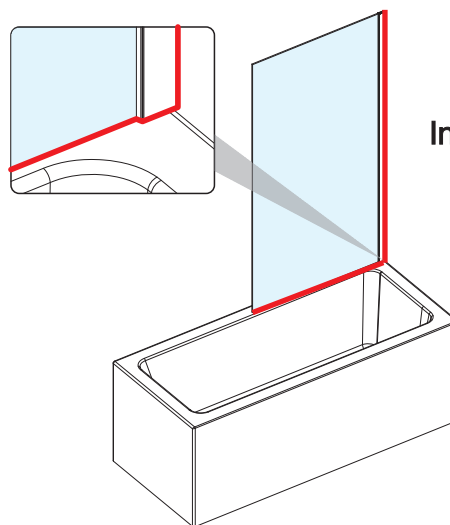
Inside: Seal top to bottom between the wall and the wall profile.

Outside: Seal top to bottom between the wall and the wall profile. From the base of the frame seal up approx. 50mm between the joint of the wall profile and the glass. Seal the joint along the bath edge and the frame starting from the wall and finishing just before the bottom seal.

Outside



Inside



DO NOT USE FOR 24 HOURS !