

Installation Guide

MB2 Single Square Bath screen

Important

Please familiarise yourself with the fitting instructions before commencing fitting.

- 1 Check that you have the tools required
- 2 Check that the installation site is compatible with size of screen supplied
- 3 Check all the bath screen components
- 4 Check that the installation kit is complete

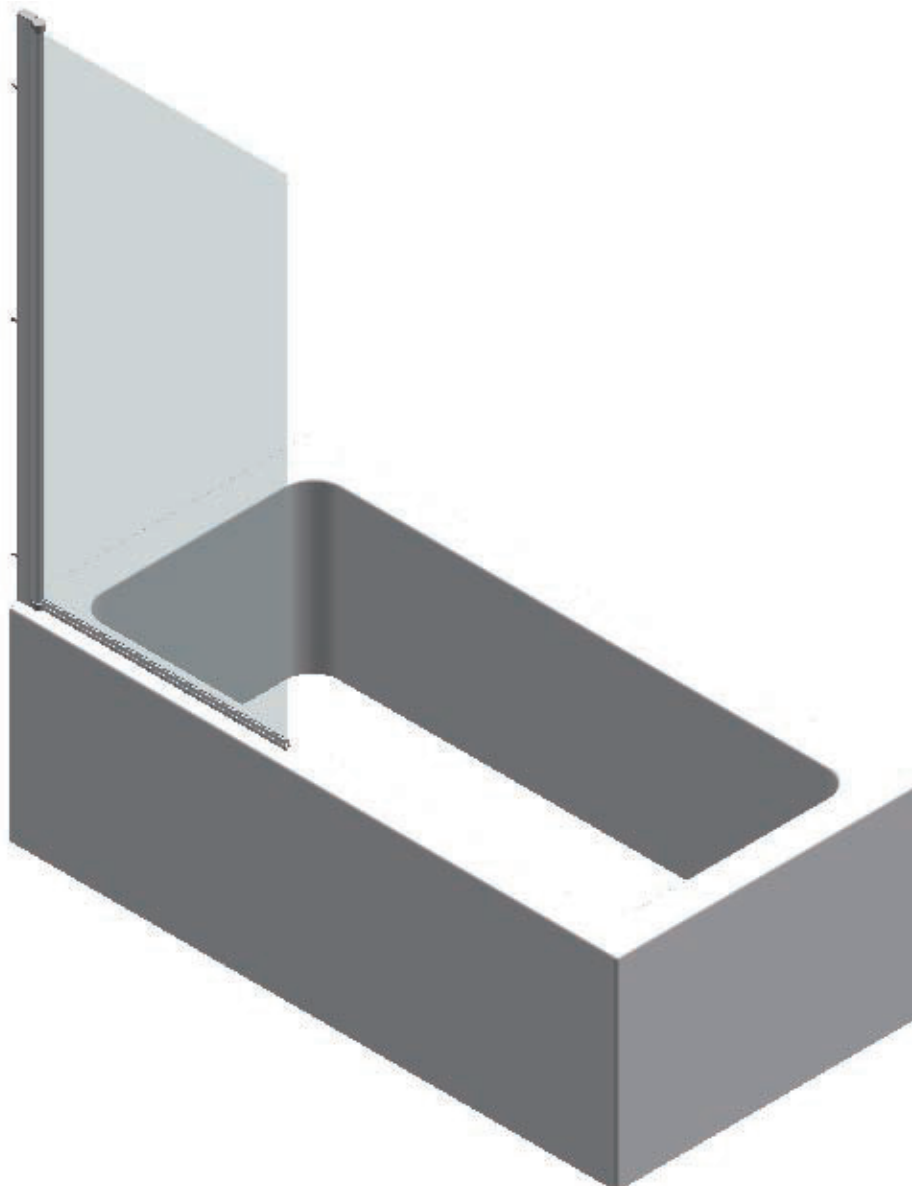
DO NOT attempt to install the product unless you can tick **ALL 4** boxed as satisfactory.

The wall plugs supplied with the installation kit are for use in solid walls. Hollow or "stud - partition" walls will require alternative fixings. Please consult a hardware supplier for the correct type.

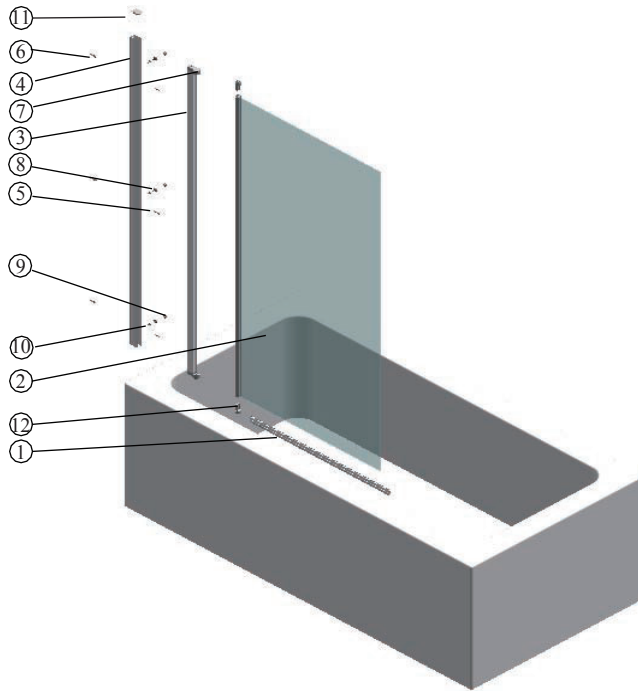
It may also be necessary to consult your tiling supplier about the correct method for drilling your tiles.

USE SAFETY EYEWEAR WHEN DRILLING

Any parts missing or damaged must be reported to your supplier within 5 days of purchase. Inspect fitting area before fitting. No claims will be accepted after product had been installed.



COMPONENTS AND BOX CONTENTS

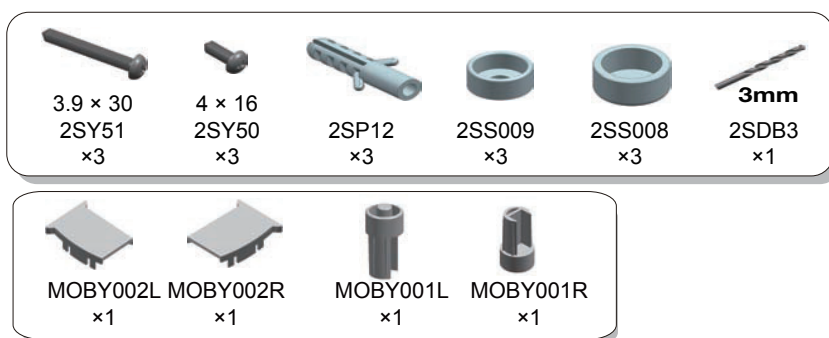


| No. | Description | Qty | Part No. | No. | Description | Qty | Part No. |
|-----|--------------------|-----|----------|-----|----------------------|-----|------------|
| 1 | Clear Seal | 1 | MOBY003 | 7 | Bracket A | 2 | BSYS021L/R |
| 2 | Moving Glass Panel | 1 | A | 8 | Screw (4x16mm) | 3 | 2SY50 |
| 3 | Hinge post | 1 | S030C | 9 | Screw Cover Cap | 3 | 2SS008 |
| 4 | Wall Profile | 1 | LR8387C | 10 | Screw Cover Cap Clip | 3 | 2SS009 |
| 5 | Screw(3.9 x 30mm) | 3 | 2SY51 | 11 | Wall profile cover | 2 | MOBY002L/R |
| 6 | Wall Plug | 3 | 2SP12 | 12 | Bracket B | 2 | MOBY001L/R |

FIXING KIT COMPONENTS, TOOLS REQUIRED, SITE CONDITIONS

Fixing Kit components

parts shown are not to scale



Tools required

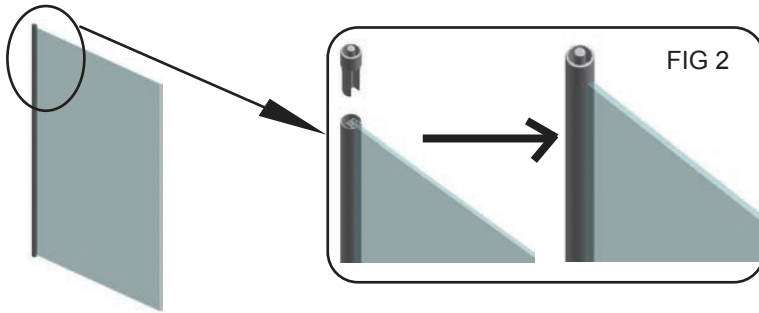
- 6mm Masonry drill bit
- Power drill
- Quality silicone
- Pencil
- **Tape measure**
- #2 Philips head screw driver
- Spirit level with horizontal and vertical level indicators

IMPORTANT - Installation Site

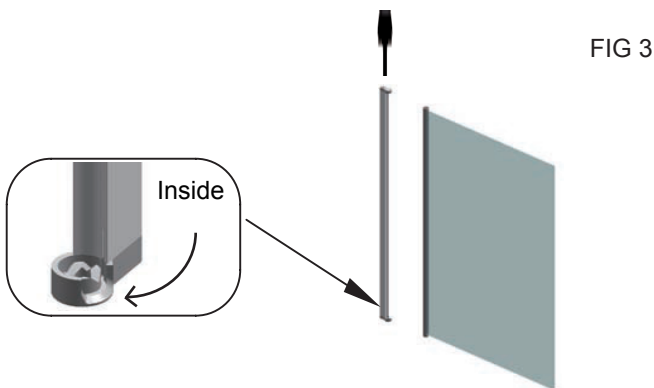
1. Ensure your bath is level before fitting. This screen is not designed to fit on baths with stepped fronts, roll top rims or integral soap dishes.
2. The tiling or other wall finishing should be effectively sealed at the bath edges.

INSTALLATION

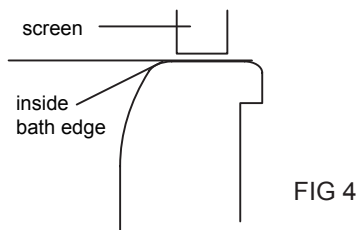
1. Silicone on flat piece of bracket B **MOBY001L/R** , and then insert into the round upright profile.



2. Unscrew one of the brackets A **BSYS021** and insert the moving panel **A**,reattached the brackets **A**. Ensure the brackets **BSYS021** are facing in the correct direction. Fig 3.
NOTE:Ensure when screen is opened and closed it rises up (i.e. rising butt hinge is only on one end).



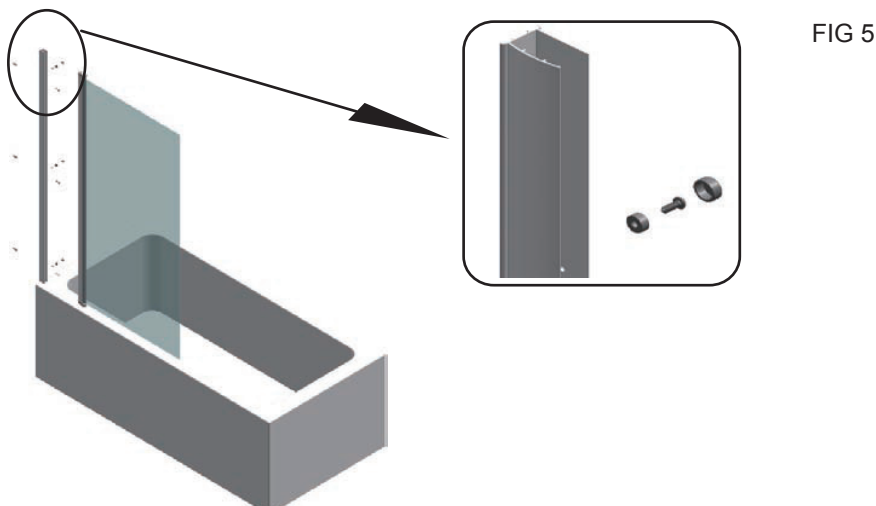
3. Position the wall profile **LR8387C** so the seal on the moving panel sits on the inside edge of the bath. Fig 4.



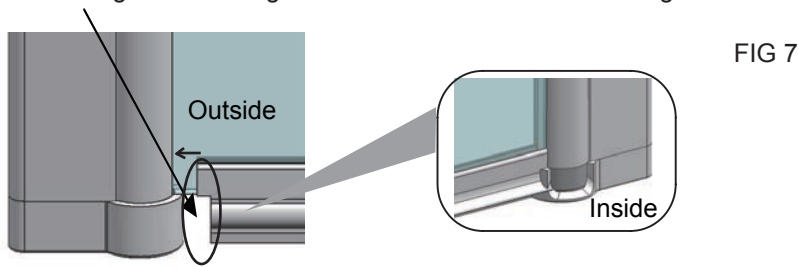
4. Plumb the wall profiles **LR8387C** using the vertical element of the spirit level. Mark 3 holes, drill with 6mm masonry bit and fit wall plugs **2SP12**. Using the 3 Screw **2SY51**, fix wall profiles to wall. Fig 5.

NOTE: Only silicone the wall profile after fixing to the wall (see sealing section).
Do not silicone on the back of the wall profile before fixing to the wall.

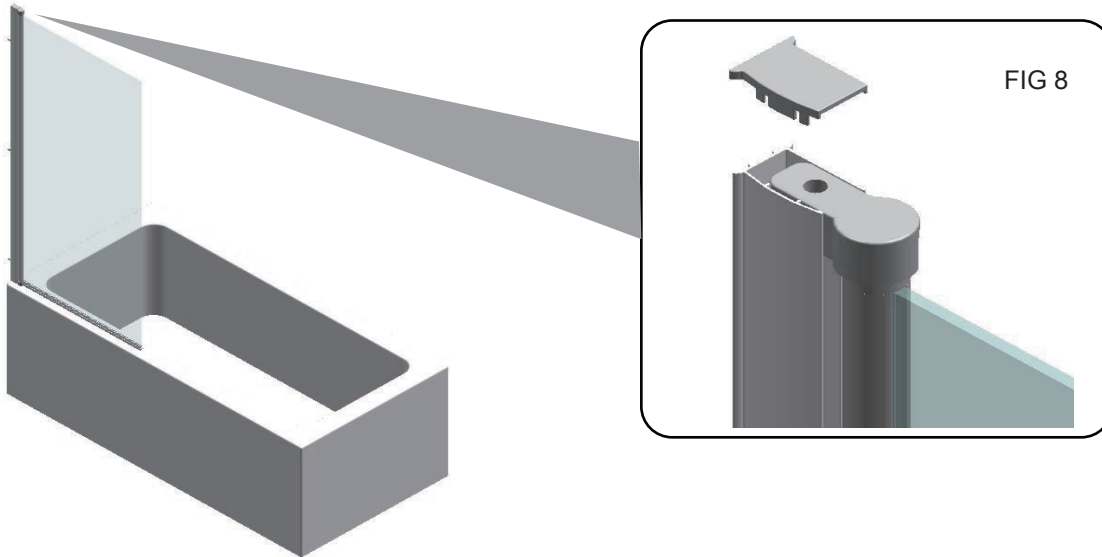
5. Insert the screen into the wall profile. Ensure the bottom seal on the moving panel **A** is parallel to the top surface of the bath.
6. Drill 3 holes through the wall profile and fixed panel using a 3mm steel drill bit. Using the Screws **2SY50**, and screw cover caps **2SS008** and screw cover caps clips **2SS009**, fix the hinge upright to the wall profile in 3 places.Fig 5.



7. Ensure the deflector on the seal is positioned on the inside. Make a cut on one of the bottom corners of the seal to ensure a correct fit against the hinge bracket – see circled area in. Fig 7



8. Fix the wall profile cover **MOBY002L/R**. FIG 8



Sealing. Fig 6

Inside(dashed line):

When installation is complete seal the joint between the wall profile and the wall, top to bottom on the inside only. DO NOT SEAL where the wall profile sits on the Bath.

Outside (full line)

From outside the screen, SEAL where the wall profile and hinge bracket sit on the bath. Seal 50mm up where the wall profile meets the wall and where the hinge upright and the wall profile over lap.

