

# PRODUCT DATA SHEET

## Montana Bath Shower Mixer Chrome

Product Code: MON-001



**SCUDO**  
BEAUTIFUL BATHROOMS

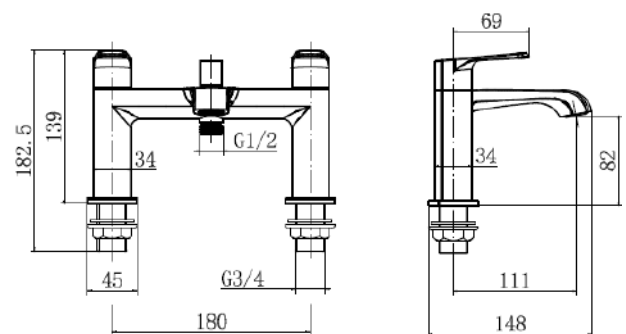
0330 124 7290

sales@scudo.co.uk - www.scudo.co.uk

Scudo is the trading name of Harrison Bathrooms Ltd. Whilst we endeavour to ensure that the product information is accurate we accept no liability for any information given. All images are for illustration purposes only. Product images and specification are subject to change. Measurement are in millimetres and are nominal.

Product Name	MON-001
Product Description	Montana Bath Shower Mixer Chrome
<b>Product Transportation</b>	
Barcode	5060991258366
Country of origin	CH
Commodity code	8481801190
<b>Product Measurements</b>	
Product Weight	2.2KG
Product Width	148mm
Product Height	182.5mm
Product Length	224mm
<b>Primary Packed Measurements</b>	
Packaged Weight	2.7KG
Packed Height	250mm
Packed Width	210mm
Packed Length	155mm

<b>General Information</b>	
Construction Material	Brass
Installation type	Deck Mounted
Colour / Finish	Silver
<b>Tap / Shower Attributes</b>	
WRAS Approved	TBC
TMV Approved	TBC
Minimum Operating Pressure (bar)	0.5
Maximum Operating Pressure (bar)	5
Flexible Tails Included	Yes
Number of tap holes required	1
Handle Type	Lever
Swivel Spout	No
Inlet Connection	3/4
Outlet Connection	N/a
Tap Hole Diameter (mm)	35
Tap Type description	Bath Shower Mixer
Includes Waste	No
Valve / Cartridge Type	35mm
<b>Flow Rates</b>	
0.2bar (l/min)	3
0.5bar (l/min)	4.8
1bar (l/min)	7.2
2bar (l/min)	10.9
3bar (l/min)	14.4
5bar (l/min)	21.2



**Dimensions**  
(measurements in mm)



### LIFETIME GUARANTEE

We are confident in our products and we want our customer to be, we proudly give a lifetime guarantee on our taps and showers, further details can be found on our website