

PRODUCT DATA SHEET

Montana Mini Mono Basin Mixer

Gunmetal

Product Code: MON-015



SCUDO
BEAUTIFUL BATHROOMS

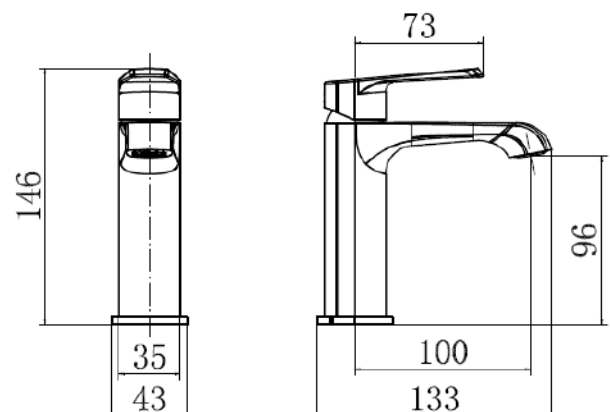
0330 124 7290

sales@scudo.co.uk - www.scudo.co.uk

Scudo is the trading name of Harrison Bathrooms Ltd. Whilst we endeavour to ensure that the product information is accurate we accept no liability for any information given. All images are for illustration purposes only. Product images and specification are subject to change. Measurement are in millimetres and are nominal.

Product Name	MON-015
Product Description	Montana Mini Mono Basin Mixer Gunmetal
Product Transportation	
Barcode	5060991258502
Country of origin	CH
Commodity code	8481801190
Product Measurements	
Product Weight	0.8KG
Product Width	35mm
Product Height	146mm
Product Length	133mm
Primary Packed Measurements	
Packaged Weight	1.3KG
Packed Height	70mm
Packed Width	150mm
Packed Length	180mm

General Information	
Construction Material	Brass
Installation type	Deck Mounted
Colour / Finish	Gunmetal
Tap / Shower Attributes	
WRAS Approved	TBC
TMV Approved	TBC
Minimum Operating Pressure (bar)	0.5
Maximum Operating Pressure (bar)	5
Flexible Tails Included	Yes
Number of tap holes required	1
Handle Type	Lever
Swivel Spout	No
Inlet Connection	1/2
Outlet Connection	N/a
Tap Hole Diameter (mm)	35
Tap Type description	Mini Mono Basin Mixer
Includes Waste	No
Valve / Cartridge Type	35mm
Flow Rates	
0.2bar (l/min)	2.7
0.5bar (l/min)	4
1bar (l/min)	5.5
2bar (l/min)	7.7
3bar (l/min)	9.4
5bar (l/min)	12.1



Dimensions
(measurements in mm)



LIFETIME GUARANTEE

We are confident in our products and we want our customer to be, we proudly give a lifetime guarantee on our taps and showers, further details can be found on our website