

PRODUCT DATA SHEET

Montana Tall Mono Basin Mixer

Chrome

Product Code: MON-016



SCUDO
BEAUTIFUL BATHROOMS

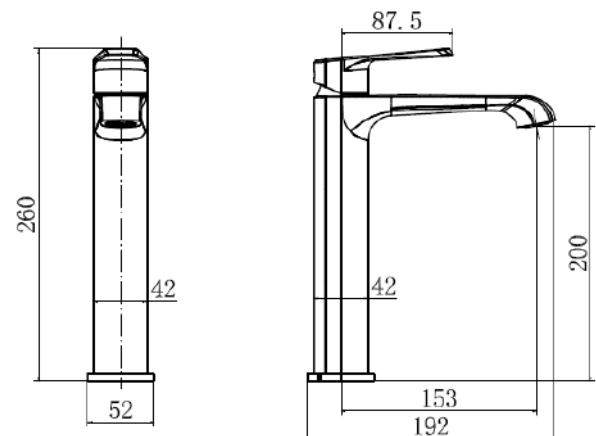
0330 124 7290

sales@scudo.co.uk - www.scudo.co.uk

Scudo is the trading name of Harrison Bathrooms Ltd. Whilst we endeavour to ensure that the product information is accurate we accept no liability for any information given. All images are for illustration purposes only. Product images and specification are subject to change. Measurement are in millimetres and are nominal.

Product Name	MON-016
Product Description	Montana Tall Mono Basin Mixer Chrome
Product Transportation	
Barcode	5060991258519
Country of origin	CH
Commodity code	8481801190
Product Measurements	
Product Weight	1.4KG
Product Width	42mm
Product Height	260mm
Product Length	192mm
Primary Packed Measurements	
Packaged Weight	1.9KG
Packed Height	320mm
Packed Width	210mm
Packed Length	75mm

General Information	
Construction Material	Brass
Installation type	Deck Mounted
Colour / Finish	Chrome
Tap / Shower Attributes	
WRAS Approved	TBC
TMV Approved	TBC
Minimum Operating Pressure (bar)	0.5
Maximum Operating Pressure (bar)	5
Flexible Tails Included	Yes
Number of tap holes required	1
Handle Type	Lever
Swivel Spout	No
Inlet Connection	1/2
Outlet Connection	N/a
Tap Hole Diameter (mm)	35
Tap Type description	Tall Basin Mono Mixer
Includes Waste	No
Valve / Cartridge Type	35mm
Flow Rates	
0.2bar (l/min)	4.4
0.5bar (l/min)	6.8
1bar (l/min)	9.5
2bar (l/min)	13.3
3bar (l/min)	16.3
5bar (l/min)	21



Dimensions
(measurements in mm)



LIFETIME GUARANTEE

We are confident in our products and we want our customer to be, we proudly give a lifetime guarantee on our taps and showers, further details can be found on our website