

# PRODUCT DATA SHEET

## Montana Bath Filler Matte Black

Product Code: MON-022



**SCUDO**  
BEAUTIFUL BATHROOMS

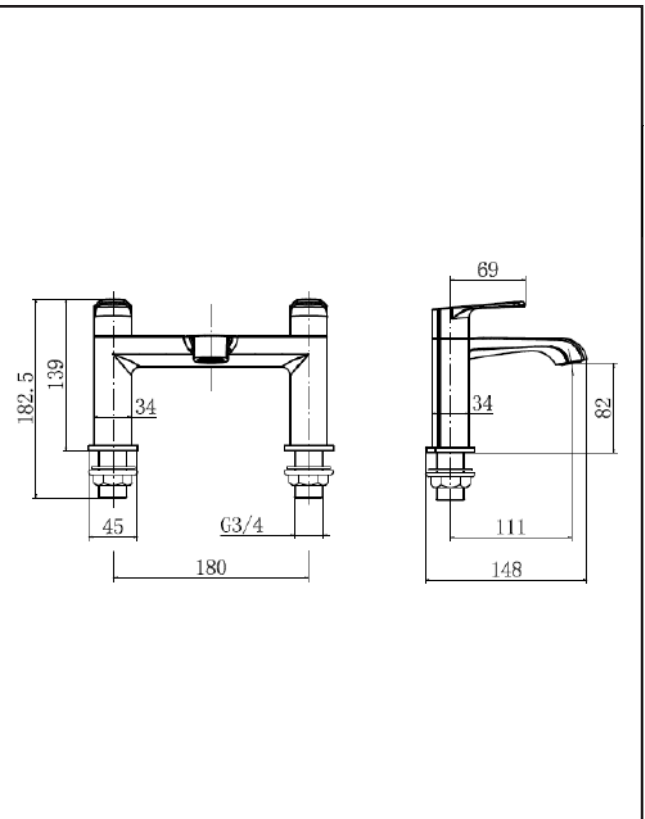
0330 124 7290

sales@scudo.co.uk - www.scudo.co.uk

Scudo is the trading name of Harrison Bathrooms Ltd. Whilst we endeavour to ensure that the product information is accurate we accept no liability for any information given. All images are for illustration purposes only. Product images and specification are subject to change. Measurement are in millimetres and are nominal.

|                                    |                                 |
|------------------------------------|---------------------------------|
| Product Name                       | MON-022                         |
| Product Description                | Montana Bath Filler Matte Black |
| <b>Product Transportation</b>      |                                 |
| Barcode                            | 5060991258571                   |
| Country of origin                  | CH                              |
| Commodity code                     | 8481801190                      |
| <b>Product Measurements</b>        |                                 |
| Product Weight                     | 1.7KG                           |
| Product Width                      | 214mm                           |
| Product Height                     | 139mm                           |
| Product Length                     | 148mm                           |
| <b>Primary Packed Measurements</b> |                                 |
| Packaged Weight                    | 2.2KG                           |
| Packed Height                      | 155mm                           |
| Packed Width                       | 210mm                           |
| Packed Length                      | 250mm                           |

|                                  |                       |
|----------------------------------|-----------------------|
| <b>General Information</b>       |                       |
| Construction Material            | Brass                 |
| Installation type                | Deck Mounted          |
| Colour / Finish                  | Matte Black           |
| <b>Tap / Shower Attributes</b>   |                       |
| WRAS Approved                    | TBC                   |
| TMV Approved                     | TBC                   |
| Minimum Operating Pressure (bar) | 0.5                   |
| Maximum Operating Pressure (bar) | 5                     |
| Flexible Tails Included          | Yes                   |
| Number of tap holes required     | 2                     |
| Handle Type                      | Lever                 |
| Swivel Spout                     | No                    |
| Inlet Connection                 | 1/2                   |
| Outlet Connection                | N/a                   |
| Tap Hole Diameter (mm)           | 35                    |
| Tap Type description             | Bath Filler           |
| Includes Waste                   | No                    |
| Valve / Cartridge Type           | 1/4 Turn ceramic disk |
| <b>Flow Rates</b>                |                       |
| 0.2bar (l/min)                   | 8.3                   |
| 0.5bar (l/min)                   | 12.5                  |
| 1bar (l/min)                     | 17.2                  |
| 2bar (l/min)                     | 24.1                  |
| 3bar (l/min)                     | 29.5                  |
| 5bar (l/min)                     | 38.3                  |



**Dimensions**  
(measurements in mm)



### LIFETIME GUARANTEE

We are confident in our products and we want our customer to be, we proudly give a lifetime guarantee on our taps and showers, further details can be found on our website