

# MZ SNK EF GM

## MONZA Tap Range Monza Easyfit Mono Sink Mixer Gun Metal



### Features:

- Unique patented top fix design, for simple installation from above the sink.
- Simply drop and twist the top fix base into the tap hole from above, and lock into place with the Allen key provided.
- Two supplied isolation valves and flexi tails mean you can connect to the water supply at this point and isolate the base.
- Push the tap on to the base and secure into position with the supplied Easyfit tool and screws.
- Everything you need in the box including an Allen key, isolation valves, Top Fix Easyfit base, Easyfit tool and flexi tails
- Swivel spout for easy use
- Long life 1/4 turn ceramic disc valves for added durability and smooth control.
- High quality metal fixings for security and durability
- Also available in other finishes.
- 10 year parts and 1 year labour guarantee for peace of mind.

### Product Certifications:



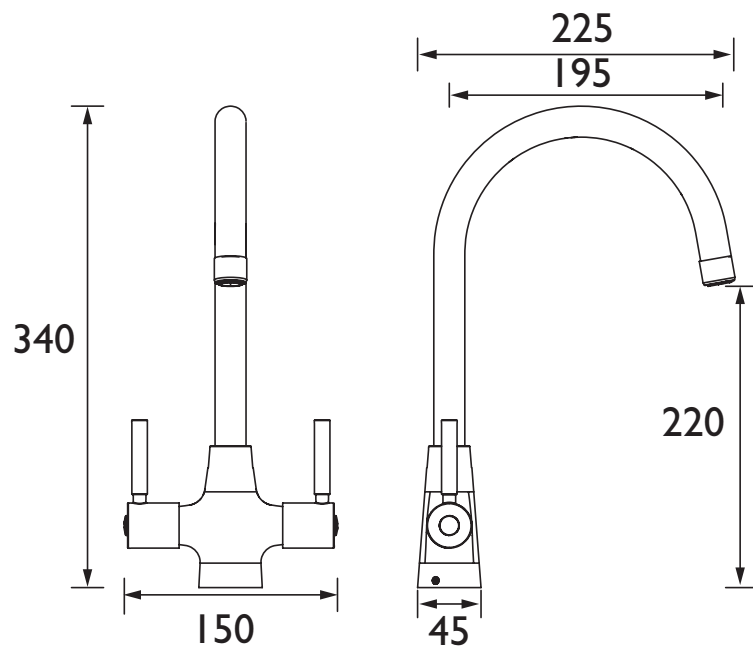
WRAS Cert. Number: 2012928  
WRAS Expiry Date: 31/12/2025



### Specification

|                                   |                                   |
|-----------------------------------|-----------------------------------|
| Product Type:                     | Kitchen Taps                      |
| Main Construction Material:       | Brass                             |
| Mount Type:                       | Deck Mounted                      |
| Handle Type:                      | Lever Handles                     |
| Connection Inlet:                 | 1/2" BSP Flexible Tails           |
| Connection Outlet:                | M24 Aerator                       |
| Number of Tap Holes:              | 1                                 |
| Valve/Cartridge Type:             | 1/2" Ceramic Disc Valve           |
| Plumbing System Requirements:     | Suitable for all plumbing systems |
| Minimum Dynamic Pressure (bar):   | 0.3 bar                           |
| Maximum Dynamic Pressure (bar):   | 5.0 bar                           |
| Maximum Hot Water Temperature °C: | 60°C                              |
| Maximum Static Pressure (bar):    | 10 bar                            |
| Flow Type:                        | Single Flow                       |
| Isolation Included:               | Yes                               |

### Dimensions (measurements in mm)



### Flow Rates (l/min)

| System Pressure (bar) | 0.3 | 0.5 | 1  | 2    | 3    | 5    |
|-----------------------|-----|-----|----|------|------|------|
| MZ SNK EF GM (mixed)  | 9.5 | 13  | 19 | 27.4 | 33.7 | 43.7 |

## TECHNICAL DATA SHEET



# BRISTAN

D2