

PNE EFSNK BB

PINE Tap Range Pine Easyfit Mono Sink Mixer Brushed Brass



Features:

- Eco Start technology saves energy by having cold water as the default central start position of the tap handle. Hot water is only activated when the tap lever is moved from the central position, so your boiler is not unnecessarily fired up
- With the added reassurance of Thermaclick technology for family safety, a mid-point click indicating a comfortable handwashing temperature
- Unique patented top fix design, for simple installation from above the sink
- Simply drop and twist the top fix base into the tap hole from above, and lock into place with the Allen key provided
- Two supplied isolation valves and flexi tails mean you can connect to the water supply at this point and isolate the base
- Push the tap on to the base and secure into position with the supplied Easyfit tool and screws

Product Certifications:



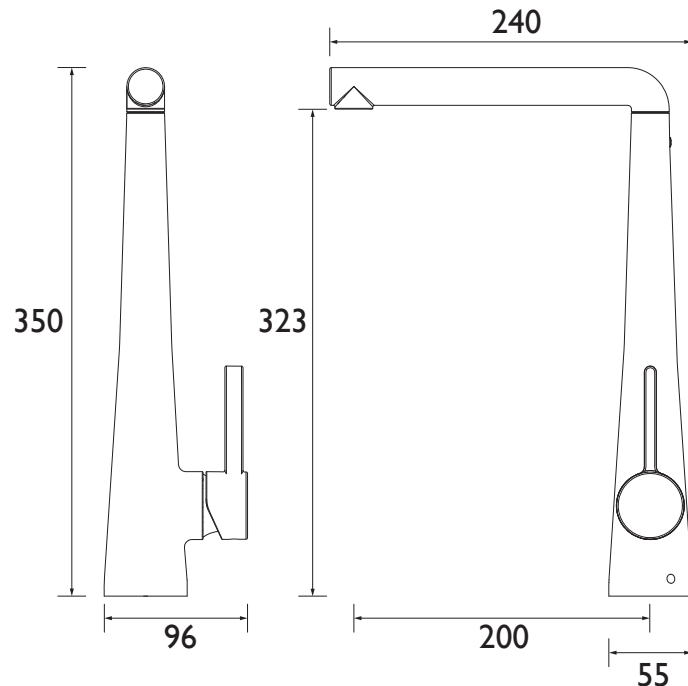
WRAS Certificate No: 240403009
WRAS Expiry Date: 30/04/2029



Specification

Product Type:	Kitchen Taps
Main Construction Material:	Brass
Mount Type:	Deck
Handle Type:	Peg Lever
Connection Inlet:	1/2" BSP Flexible Tails
Connection Outlet:	Recessed M21.5 8L/M Aerator
Number of Tap Holes:	1
Valve/Cartridge Type:	Thermaclick 35mm Eco Start Mirror Stepped Cartridge
Plumbing System Requirements:	Suitable for all plumbing systems
Minimum Dynamic Pressure (bar):	0.3 bar
Maximum Dynamic Pressure (bar):	5 bar
Maximum Hot Water Temperature °C:	65°C
Maximum Static Pressure (bar):	10 bar
Flow Type:	Single Flow
Isolation Included:	Yes

Dimensions (measurements in mm)



Flow Rates (l/min)

System Pressure (bar)	0.3	0.5	1	2	3	5
PNE EFSNK BB (mixed)	2.9	3.8	5.5	7.8	8.1	8.1

TECHNICAL DATA SHEET



BRISTAN

D3.1