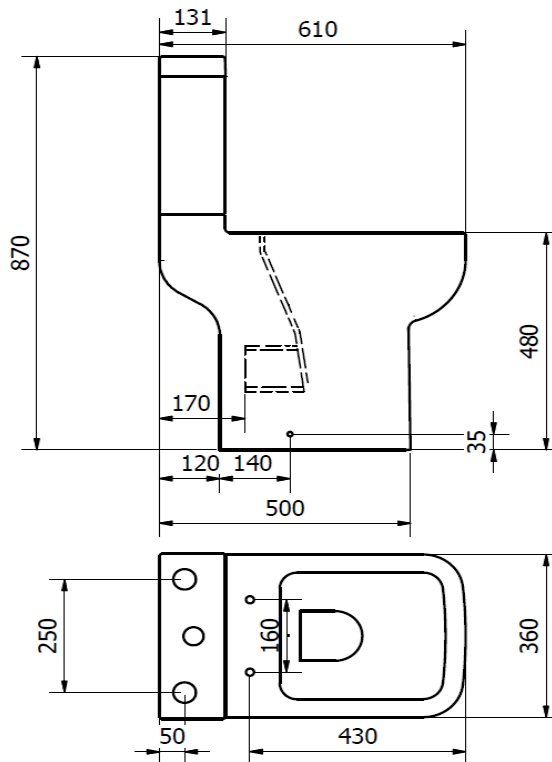
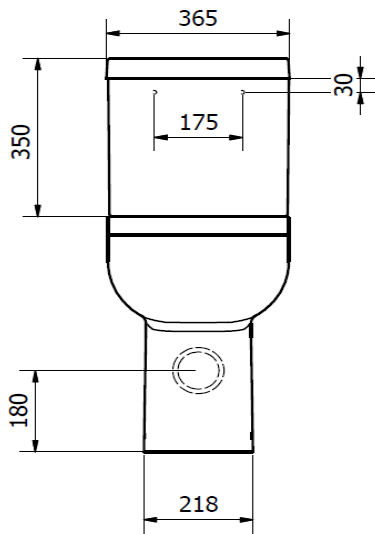


OPTIONS 600 COMFORT HEIGHT PAN, SEAT & CISTERN

ILLUSTRATION: OPTIONS C/C PAN & CISTERN
**CODE: C/C WC PAN - POT089OP
 C/C CISTERN - POT600SE
 SOFT CLOSE SEAT -
 POT082OP PREMIUM S/C
 SEAT - POT084OP**
COLOUR: WHITE

WEIGHT:	WC PAN	CISTERN	SEAT	P SEAT
NET:	33.5 KG	11 KG	1.4 KG	2.3 KG
GROSS:	35.0 KG	12 KG	1.6 KG	2.5 KG

**STANDARDS: BS EN 997 WCs
 BS EN 14055 FLUSHING CISTERNS
 BS 3402**
**NOTES:
 VITREOUS CHINA
 WATER SAVING 6/4 LITRE FLUSH
 SOFT CLOSE SEAT WITH QUICK RELEASE TOP FIX HINGE**

BOX SIZES :- WC PAN = 390 X 550 X 640 mm / CISTERN = 1155 X 380 X 390 mm / SEAT = 450 X 370 X 55 mm