

# SPR EFSNK C

## SPRUCE Tap Range Spruce Easyfit Mono Sink Mixer Chrome



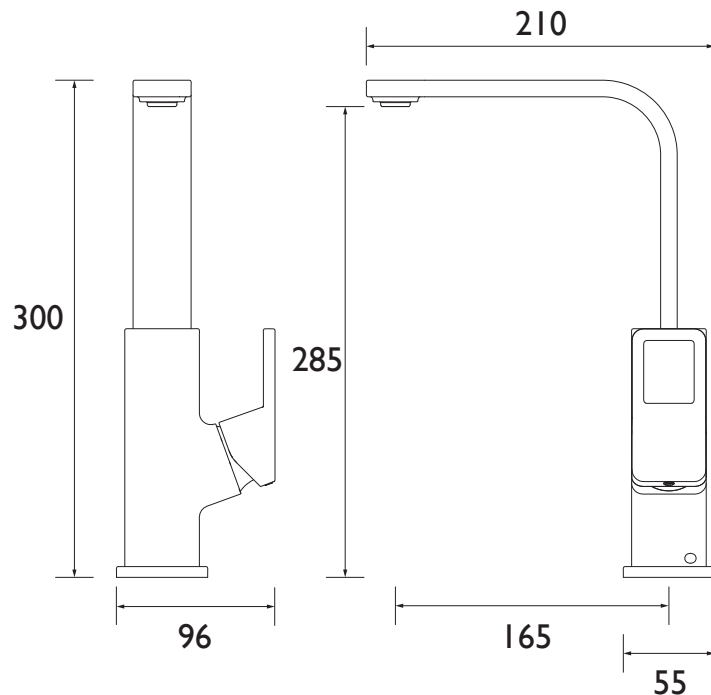
### Specification

<b>Product Type:</b>	Kitchen Taps
<b>Main Construction Material:</b>	Brass
<b>Mount Type:</b>	Deck
<b>Handle Type:</b>	Loop
<b>Connection Inlet:</b>	1/2" BSP Flexible Tails
<b>Connection Outlet:</b>	Housed M22 8L/M Aerator
<b>Number of Tap Holes:</b>	1
<b>Valve/Cartridge Type:</b>	Thermaclick 35mm Eco Start Mirror Stepped Cartridge
<b>Plumbing System Requirements:</b>	Suitable for all plumbing systems
<b>Minimum Dynamic Pressure (bar):</b>	0.3 bar
<b>Maximum Dynamic Pressure (bar):</b>	5 bar
<b>Maximum Hot Water Temperature °C:</b>	65°C
<b>Maximum Static Pressure (bar):</b>	10 bar
<b>Flow Type:</b>	Single Flow
<b>Isolation Included:</b>	Yes

### Features:

- Eco Start technology saves energy by having cold water as the default central start position of the tap handle. Hot water is only activated when the tap lever is moved from the central position, so your boiler is not unnecessarily fired up
- With the added reassurance of Thermaclick technology for family safety, a mid-point click indicating a comfortable handwashing temperature
- Unique patented top fix design, for simple installation from above the sink
- Simply drop and twist the top fix base into the tap hole from above, and lock into place with the Allen key provided
- Two supplied isolation valves and flexi tails mean you can connect to the water supply at this point and isolate the base
- Push the tap on to the base and secure into position with the supplied Easyfit tool and screws

### Dimensions (measurements in mm)



### Product Certifications:



WRAS Certificate No: 240403010  
WRAS Expiry Date: 30/04/2029



### Flow Rates (l/min)

System Pressure (bar)	0.3	0.5	1	2	3	5
SPR EFSNK C (mixed)	2.8	3.9	5.3	7.1	8	8.7

## TECHNICAL DATA SHEET



# BRISTAN

D3.1