

Please read and follow these instructions carefully and retain for future reference

## Before You Start

- The product should only be installed by a suitably qualified / competent / experienced bathroom installer.
- Check the contents of the pack for defects before installation. The supplier will not accept any refitting costs if faulty product has been fitted.
- The furniture should only be installed in a well ventilated bathroom at a distance from bath / showers to avoid splashing. It should also be protected from any shower / handset spray by a shower screen or similar.
- Make sure the unit and basin are secured to a suitably strong / reinforced wall to ensure stability.

## CAUTION

- Take care when using power tools near water - the use of a residual current device (RCD) is recommended.
- Beware of hidden pipes or cables.
- Wear suitable eye protection when drilling.
- Take care when drilling tiled surfaces as the drill might slip. We recommend using a piece of masking tape to prevent the drill from wandering.

## Aftercare

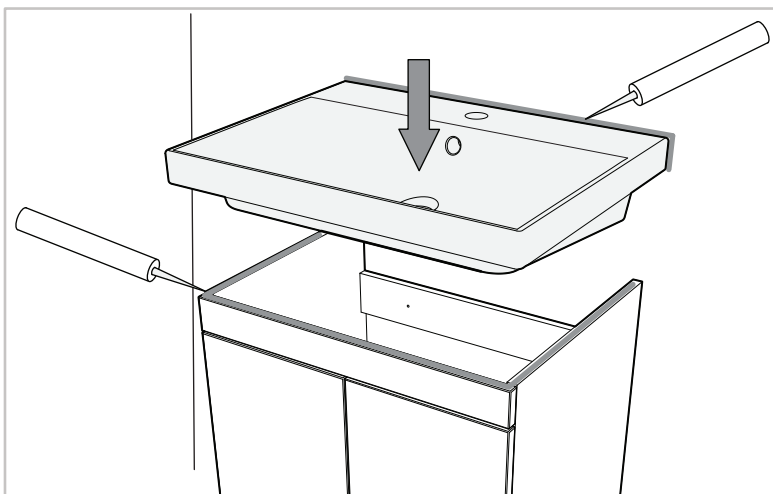
### Do ✓

- Wipe away any water splashes or condensation after use. Excessive exposure to water or sitting water will damage the furniture.
- Clean with a soft damp cloth with a mild detergent only. Surface should then be fully dried using a soft lint free cloth.
- A suitable limescale remover can be used on the BASIN ONLY if required but MUST be tested on an inconspicuous area of the basin.

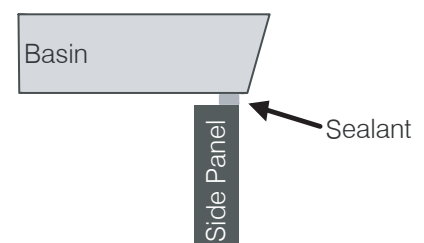
### Don't ✗

- Scrub or scour any part of the furniture or basin.
- Use furniture polish.
- Use abrasive or bleaching cleaning agents.
- Allow hot or sharp objects to contact the furniture or basin.

## Countertop Basin Fitting Instructions



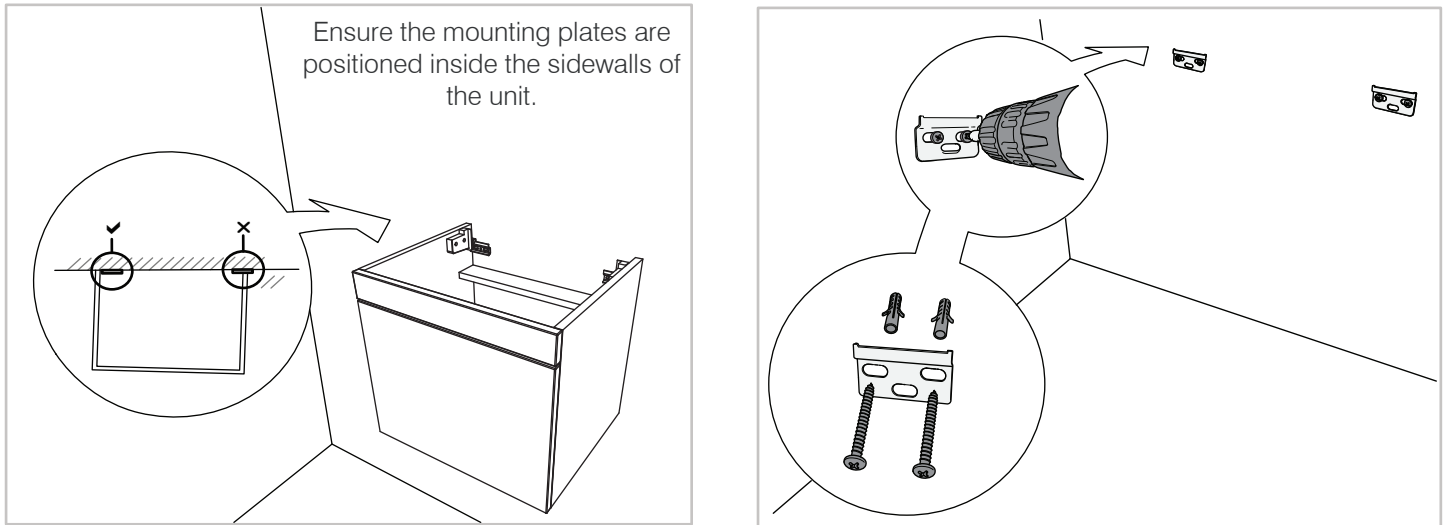
- Once the basin is plumbed in, finish by securing to the washstand or wall with a silicone sealant (not supplied). This creates a water tight seal and prevents damage.
- Ensure silicone / sealant sits on outer edge of furniture to prevent any water pooling, see below diagram for positioning.



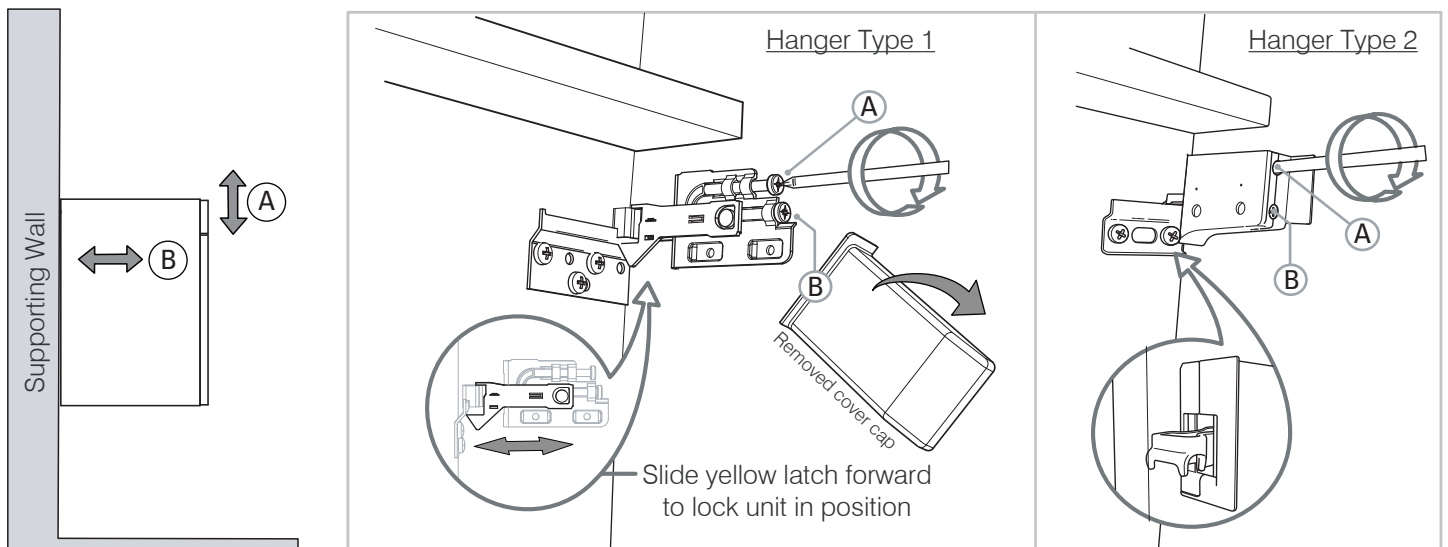
## Wall Mounted Installation

For wall hanging units: **WARNING** in order to prevent falling down this product must be used with the wall attachment device provided.

Follow installation and adjustment guide below for wall mounted units:



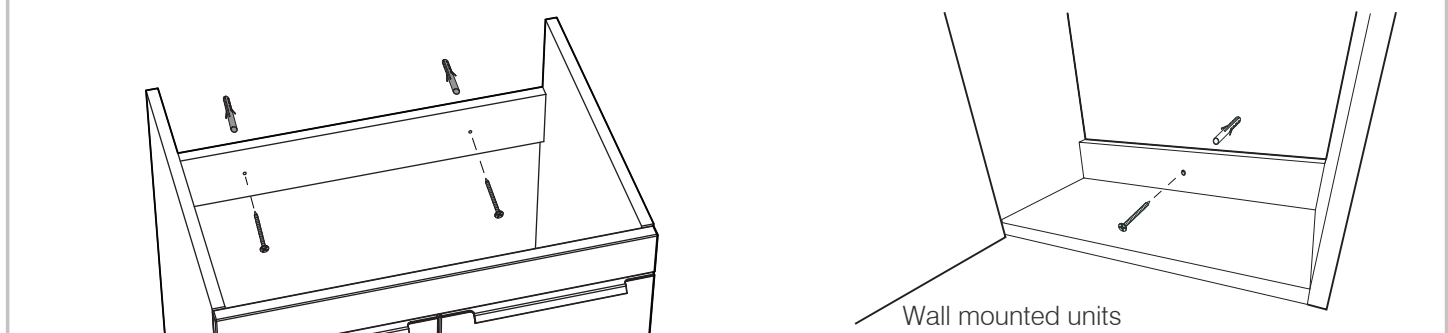
## Wall Mounted Adjustment



## Fixing Unit to Wall

For floor standing units intended to be attached to the building: **WARNING** in order to prevent overturning this product must be used with the wall attachment device provided.

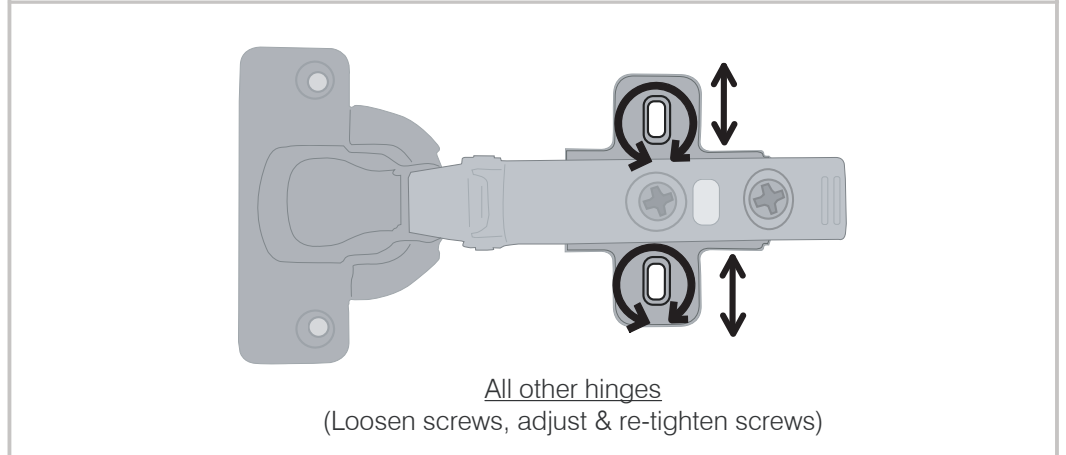
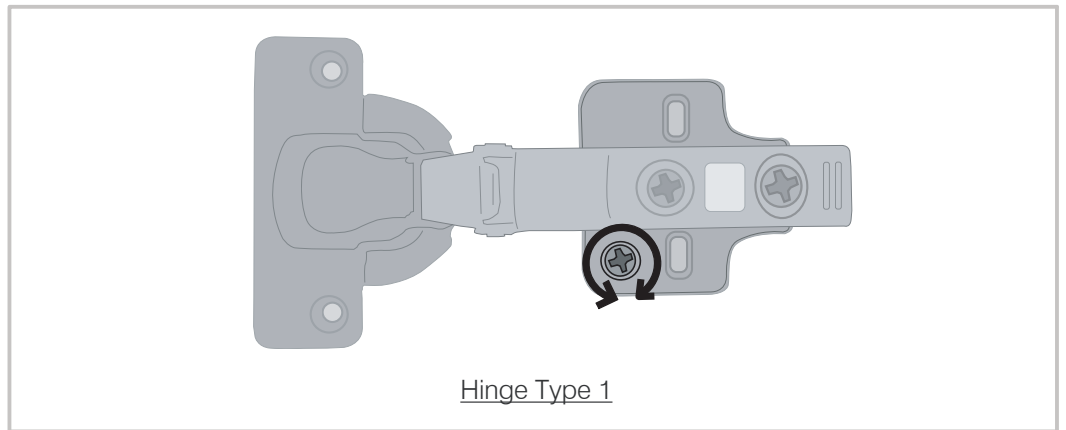
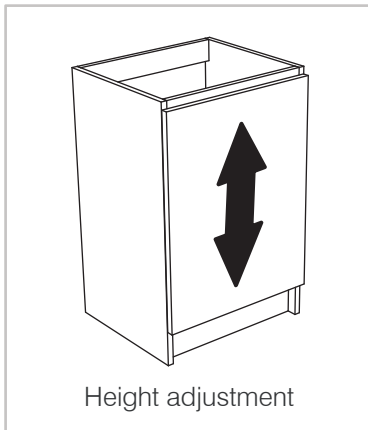
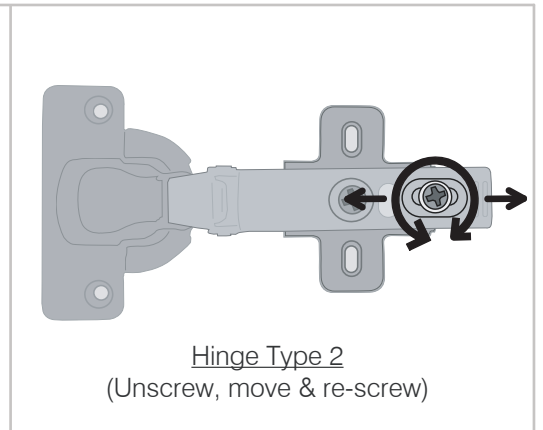
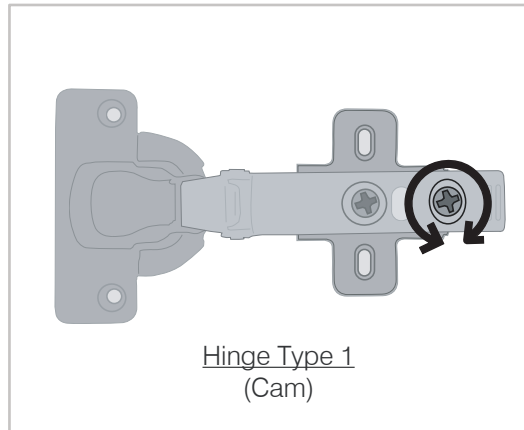
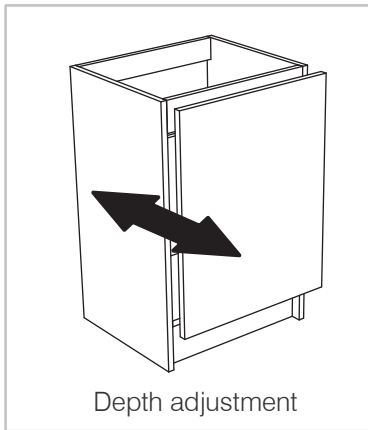
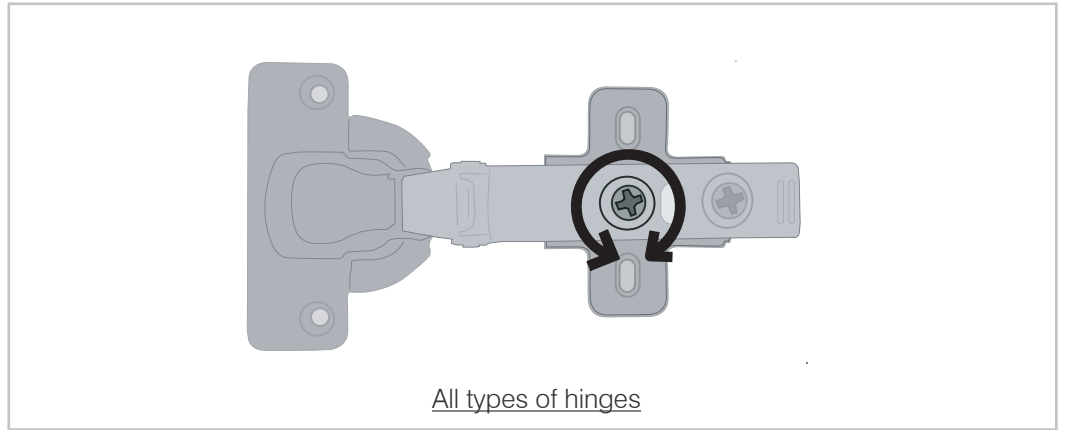
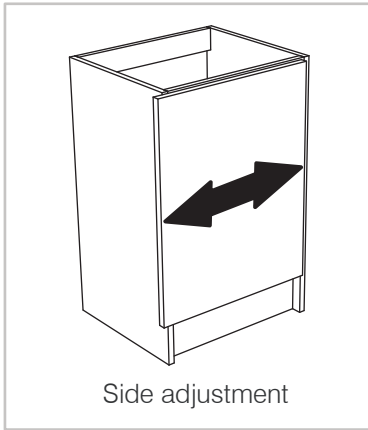
Attach to the wall using suitable fixings. If the wallmounted unit includes lower fixing points – the unit should be additionally secured to the wall via these points using suitable fixings after setting up hanging devices.



# Door Hinge Adjustment

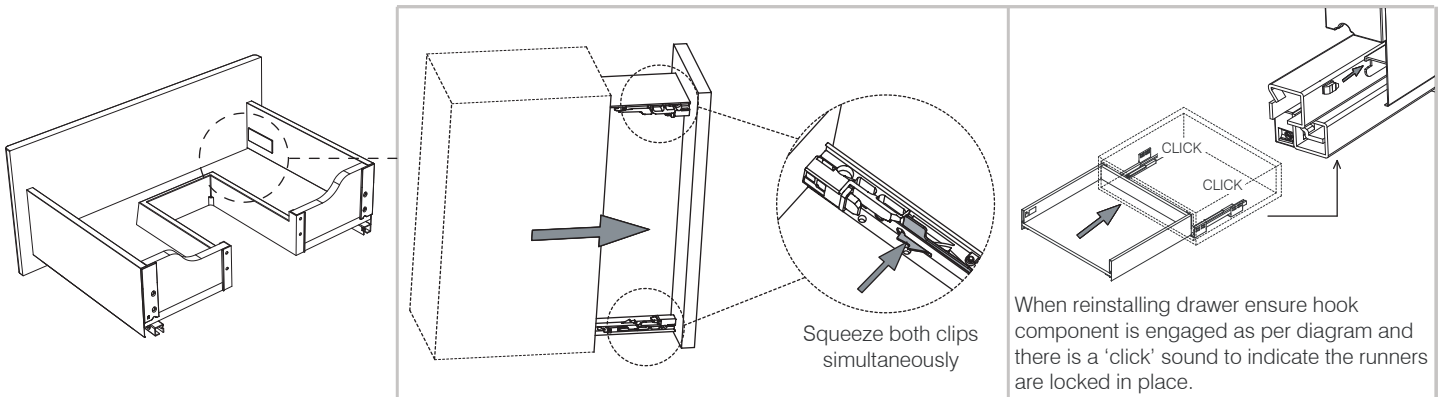
ROPER RHODES®

Follow adjustment guide below for door hinges, ensuring correct type is selected:

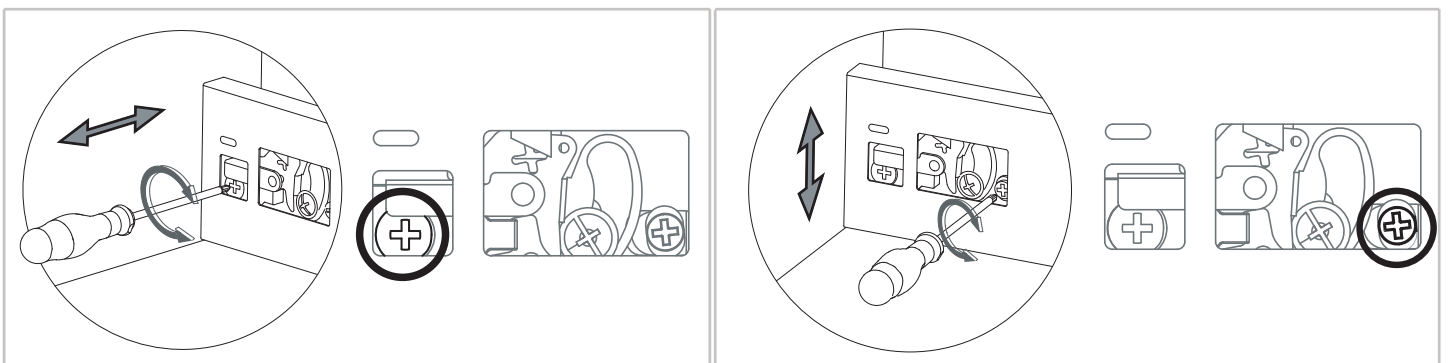
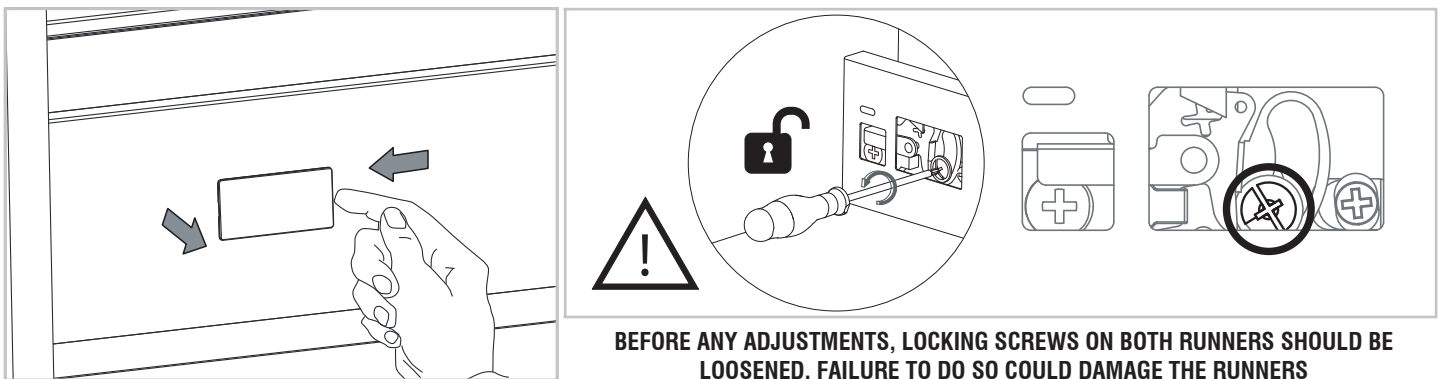


## Drawer Type One

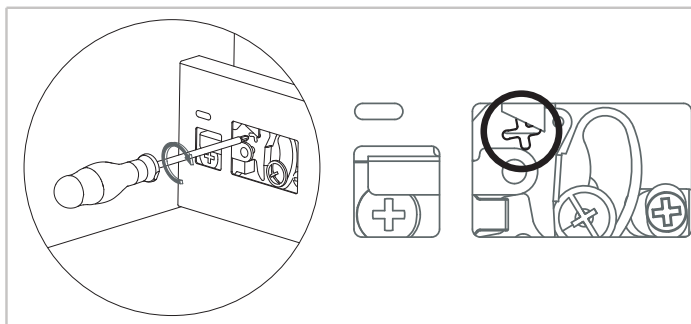
### Removing Drawer



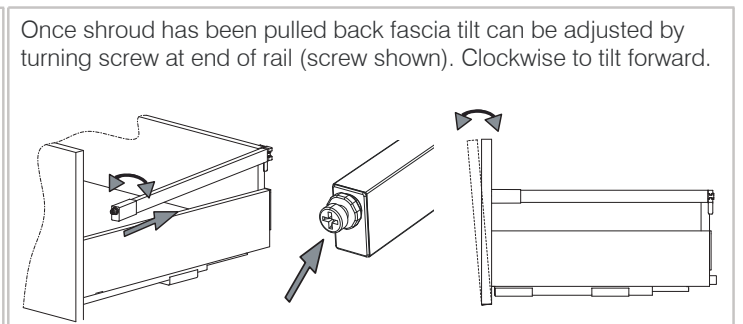
### Drawer Front Adjustment



### Removing Fascia



### Support Rail Adjustment



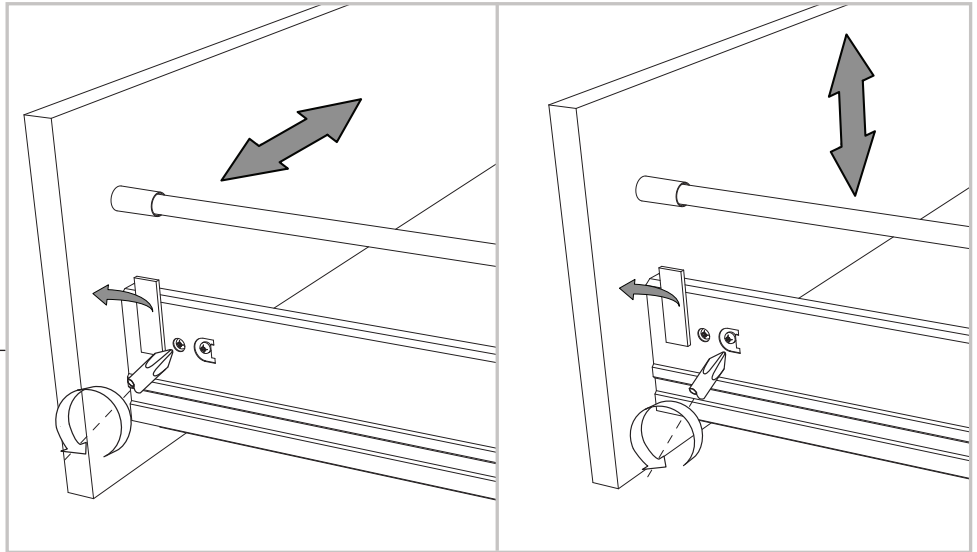
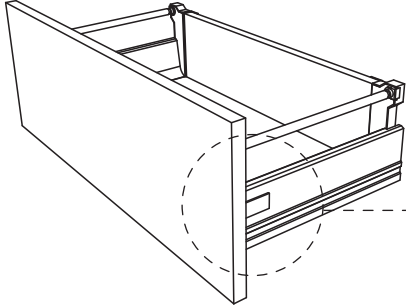
**ONCE ALL ADJUSTMENTS MADE - RE-TIGHTEN LOCKING SCREWS AND REPLACE COVER CAPS**

For additional instruction on drawer adjustment follow QR code link

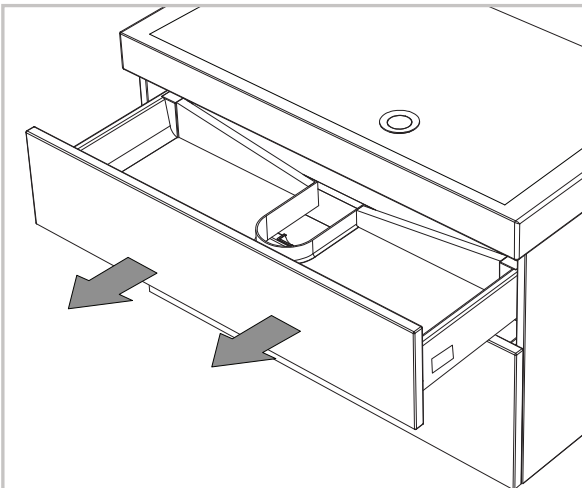


## Drawer Type Two

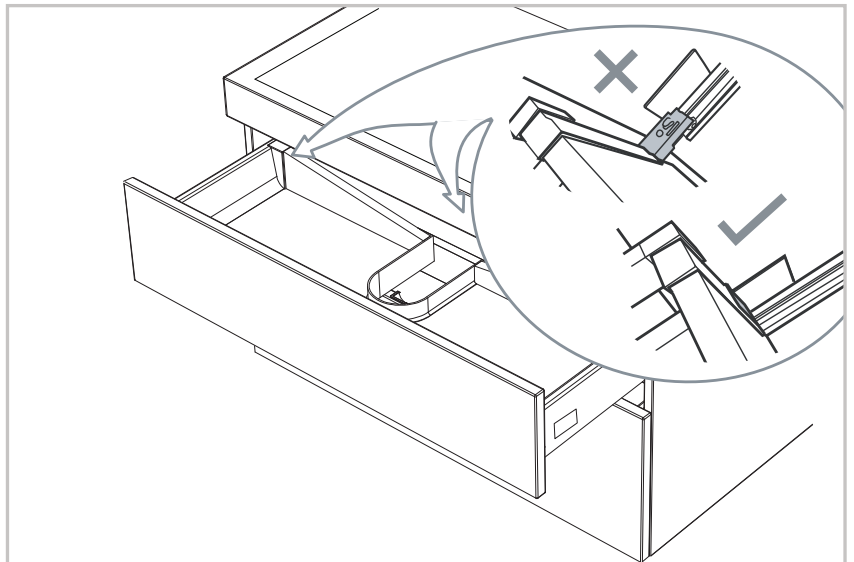
### Drawer Fascia Adjustment



### Removing Drawer

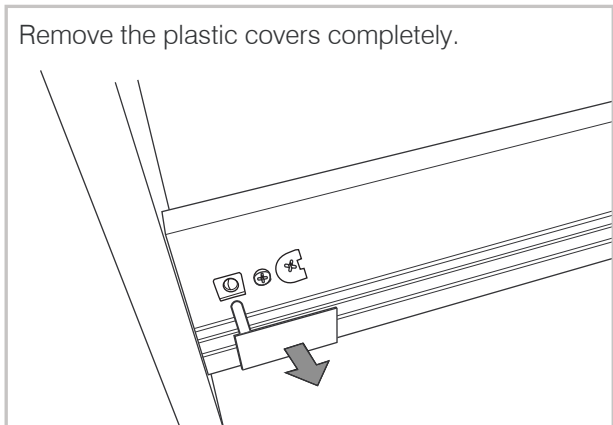


While supporting both the front and back of the drawer, pull the drawer forwards with a short sharp pull until it is fully removed from the runners.

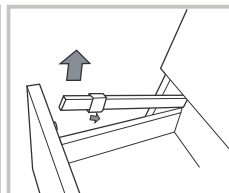


\*Click\* drawer back in position to ensure correct engagement. Drawer mechanism at back of drawer is flush and not protruding.

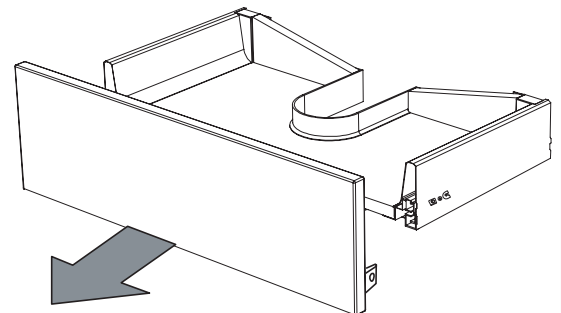
### Removing Fascia



Remove the plastic covers completely.

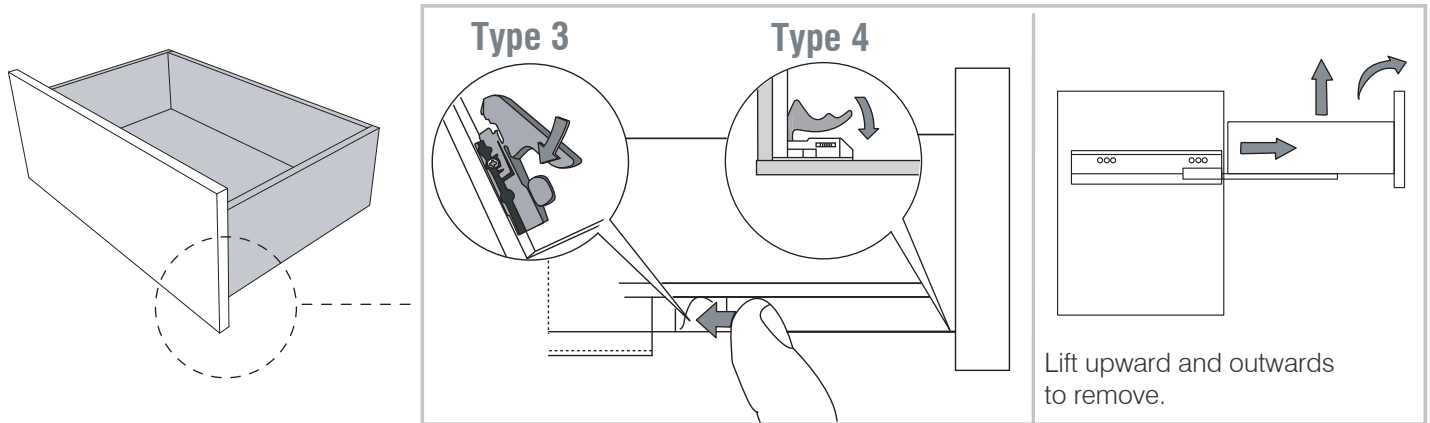


If present, release support rail connection.

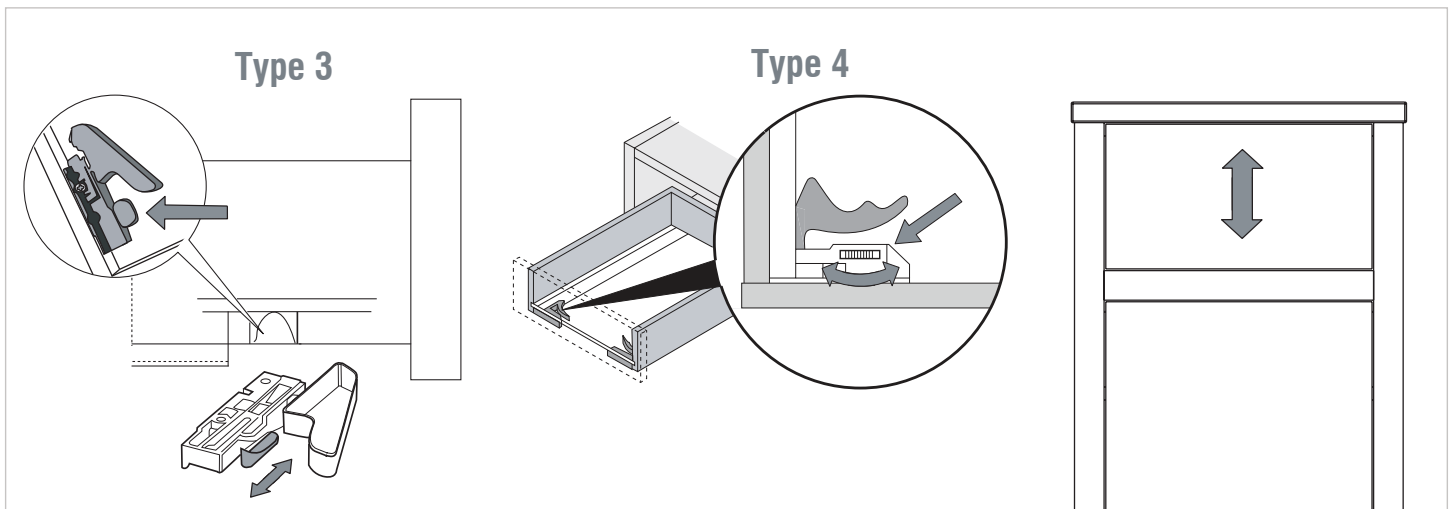


## Drawer Type Three & Four

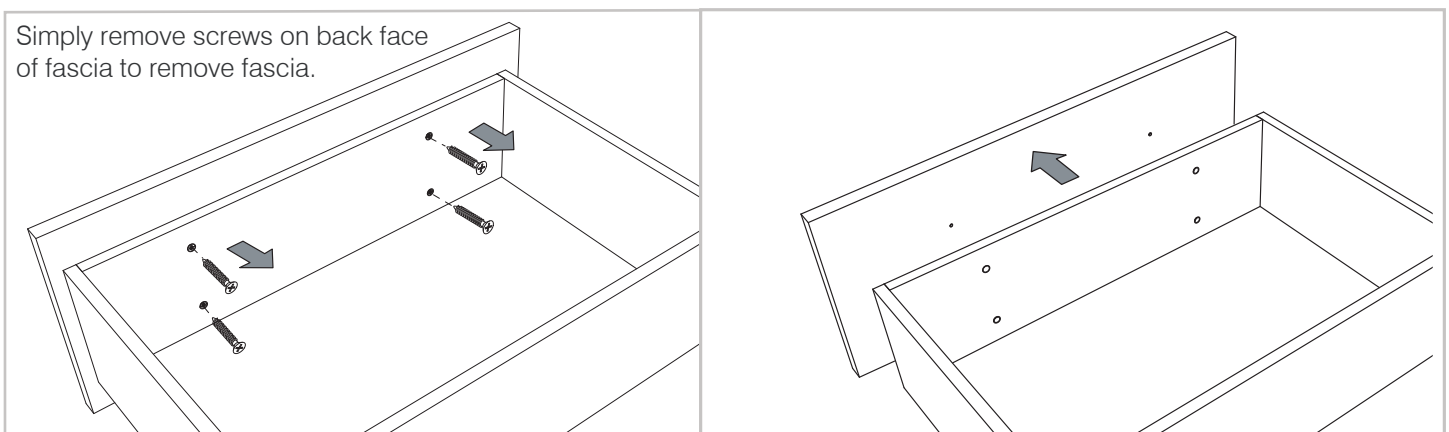
### Removing Drawer



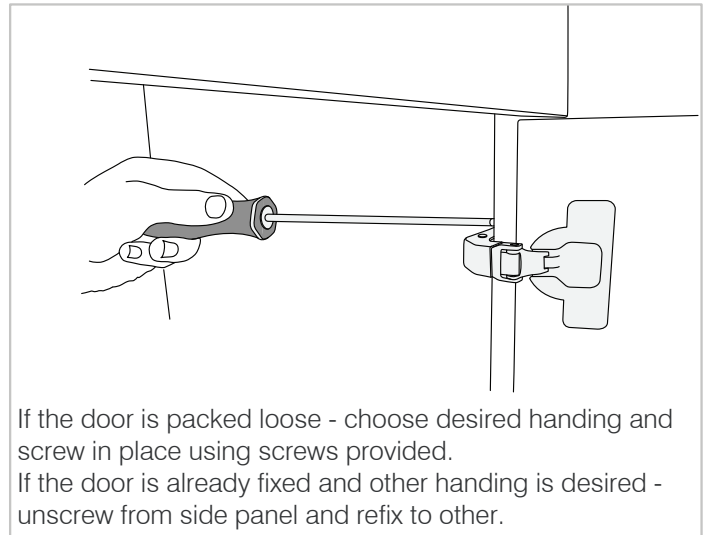
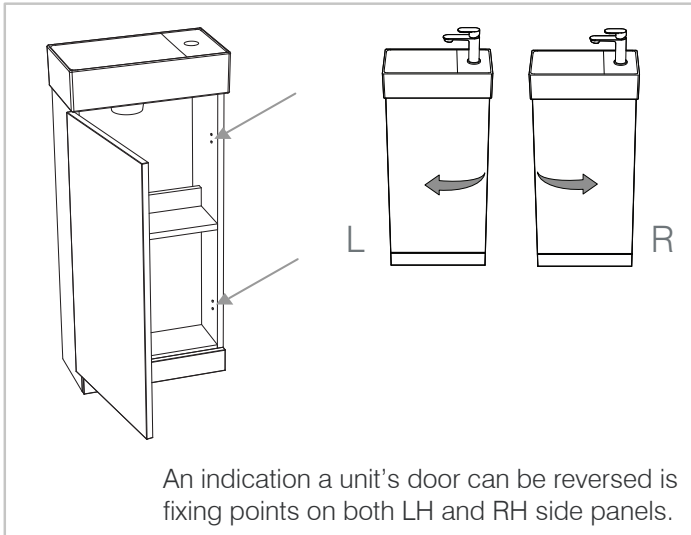
### Drawer Fascia Adjustment



### Removing Fascia (Type 3 only)



Some units have the added feature of door reversing to suit installation location.

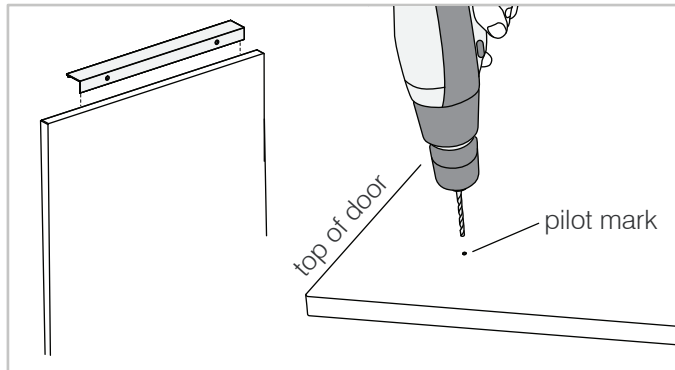


## Handle Installation

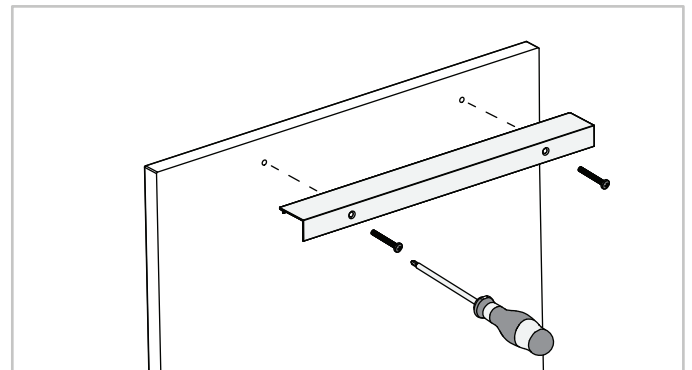
If fascia does not have pre-installed handles or pre-drilled handles holes follow below instructions for handle installation.

ON REVERSIBLE DOORS - Please double check handle drilling location after handing is chosen so that handle is at the top of the door.

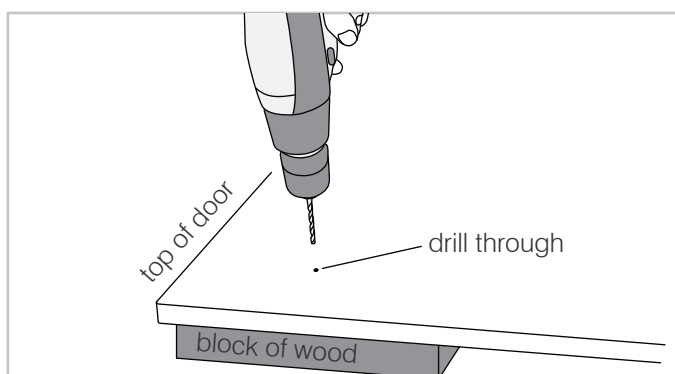
### Top Mounted Handles



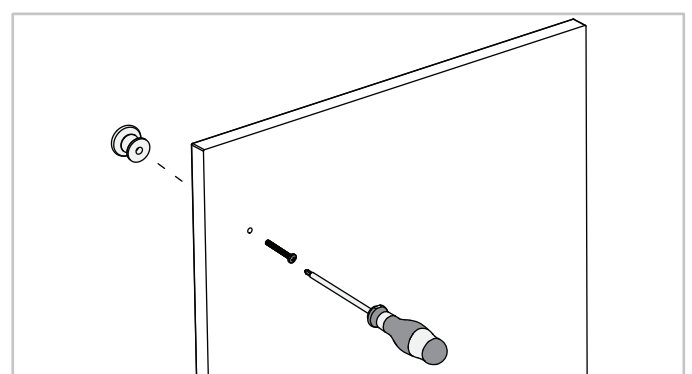
Place chosen handle onto top edge of fascia panel.



### Surface Mounted Handles

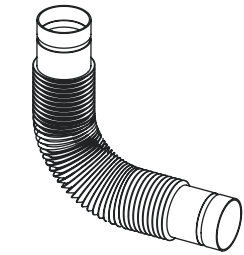


Block of wood or similar prevents breakout of the finish on the other side of the panel

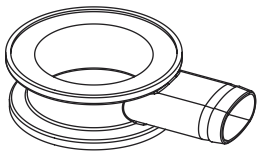


# External Overflow Fitting (Isocast basins only) ROPER RHODES®

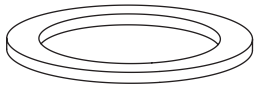
Follow below diagrams to install external overflow kit to isocast basins.  
All components provided in kit are listed below:



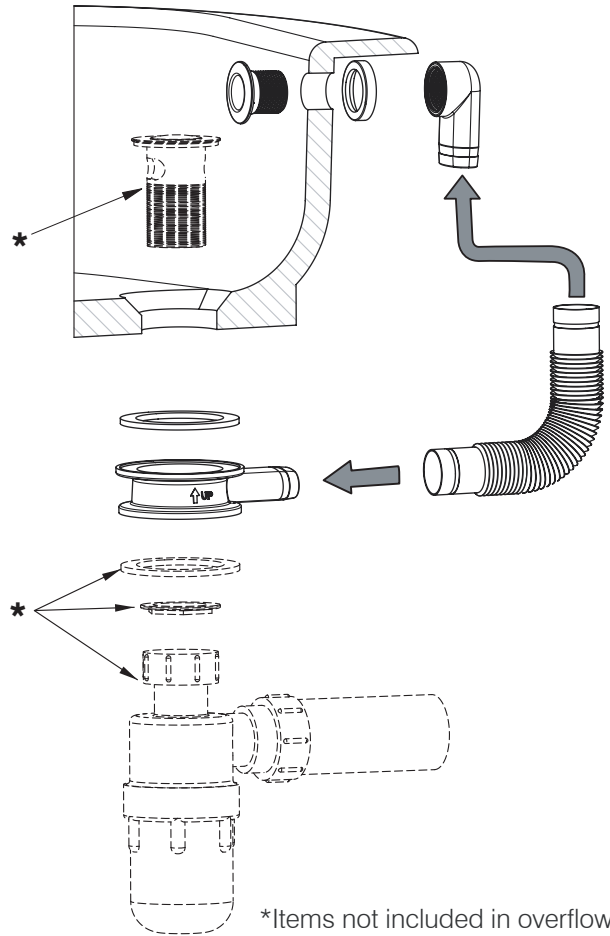
1. Flexible hose



2. Overflow adapter/ spacer



3. Gasket (1 Qty.)



\*Items not included in overflow kit

## Installation note

Ensure overflow tube is installed with only one bend and that the bend isn't below the basin waste level.

