

TD WORDHH04 C

Accessories Traditional Wall Outlet Handset Holder Bracket with Round Bevelled Plate Chrome



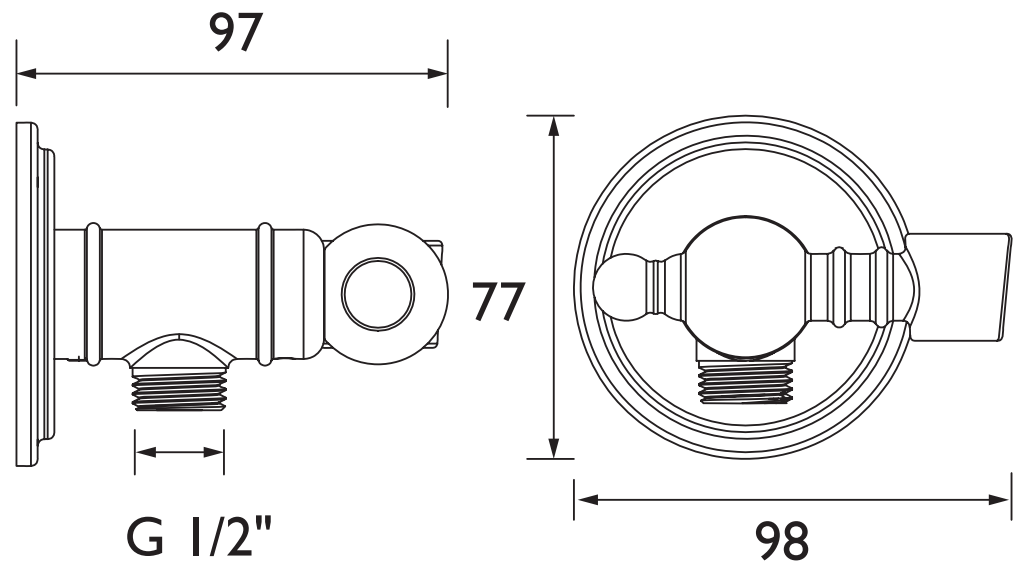
Specification

Main Construction Material:	Brass, Zinc Alloy
Connection Inlet:	15mm Compression
Connection Outlet:	G 1/2"
Contemporary or Traditional:	Traditional
Finish Colour:	Chrome
Isolation Included:	No
Left or Right Handed:	Both

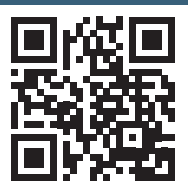
Features:

- Unique outlet designed with Bristan's Wall Mount technology
- Chrome plated to BS EN 248:2002
- Used to connect a hose to a concealed shower valve
- Adds a subtle classical touch to your traditional bathroom
- Shower wall outlet and handset holder in one

Dimensions (measurements in mm)



For more products, visit our website:
<http://www.bristan.com>



TECHNICAL
DATA
SHEET



BRISTAN

D1