

PRODUCT DATA SHEET

Burlington[®]



PRODUCT CODE

FC5B

RANGE

Furniture

DESCRIPTION

Curved Basin Unit 650 Doors Matt Blue

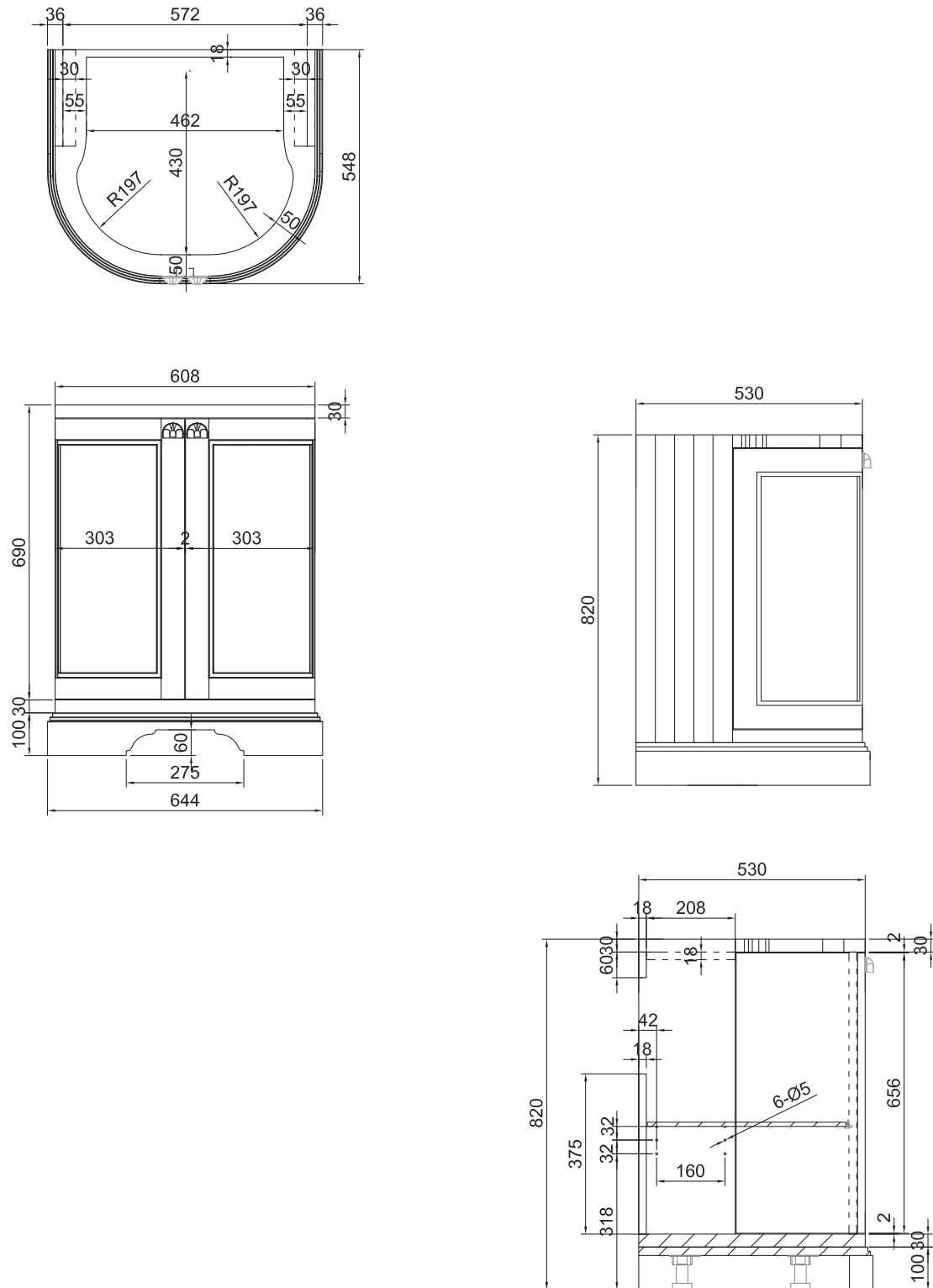
CATEGORY	Furniture
WARRANTY DETAILS	10 Years
COLOUR	Matt Blue
FINISH APPLICATION	Lacquered
PRIMARY MATERIAL	MDF
INSTALL TYPE	Floor Mounted
PRODUCT WIDTH MM	644
PRODUCT HEIGHT MM	820
PRODUCT LENGTH MM	530
PRODUCT NET WEIGHT KG	35
STANDARDS	EN14749:2016

WALL HANGERS	Yes
ADJUSTABLE FEET	Yes

TECHNICAL DIMENSIONS

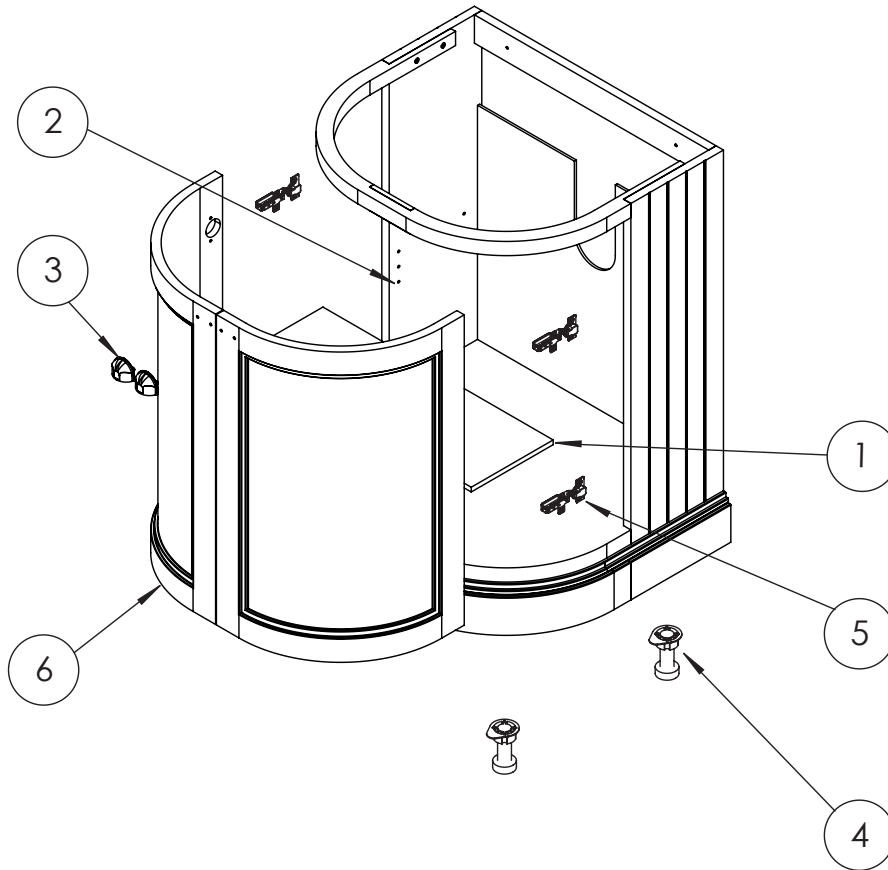
Dimensions in mm unless otherwise specified.

Tolerances (per material type) apply.



SPARES LIST

Only the parts labelled are available as spares.



NUMBER	PART CODE	DESCRIPTION
1	SP1828	Glass shelf for FC5
2	SP1829	Glass shelf fixings for FC5 5pcs
3	SP653	1x handle 2x screws 2x washers Burlington
4	SP669	Burl. Spare adjustable leg for floor unit
5	SP674	Burl. Spare hinges for curved door (pair)
6	SPFC1CP-B	curve panel for FC1B
	SPFC1CP-G	Burl.Spare curve door for FC1G, FC2G, etc
	SPFC1CP-MG-LH	Burlington Curve Door LH for FC1MG/FC2MG/FC3MG/FC4MG
	SPFC1CP-MG-RH	Burlington Curve Door RH for FC1MG/FC2MG/FC3MG/FC4MG
	SPFC1CP-W	CURVE PANEL FOR FC1W,FC2W,FC4W