

HOU ES BAS BLK

HOURLASS Tap Range Hourglass Eco Start Basin Mixer Black



Features:

- Eco Start technology saves energy by having cold water as the default central start position of the tap handle. Hot water is only activated when the tap lever is moved from the central position, so your boiler is not unnecessarily fired up.
- This tap has a flow regulator, which limits the flow of water to 5 litres per minute, reducing the amount of water you use.
- Everything you need in the box including flexible tails and clicker/pop-up waste so nothing to buy separately.
- Long life ceramic cartridge for added durability and smooth control.
- Robust metal fixing nut to secure the tap in place reducing the risk of loosening over time.

Product Certifications:



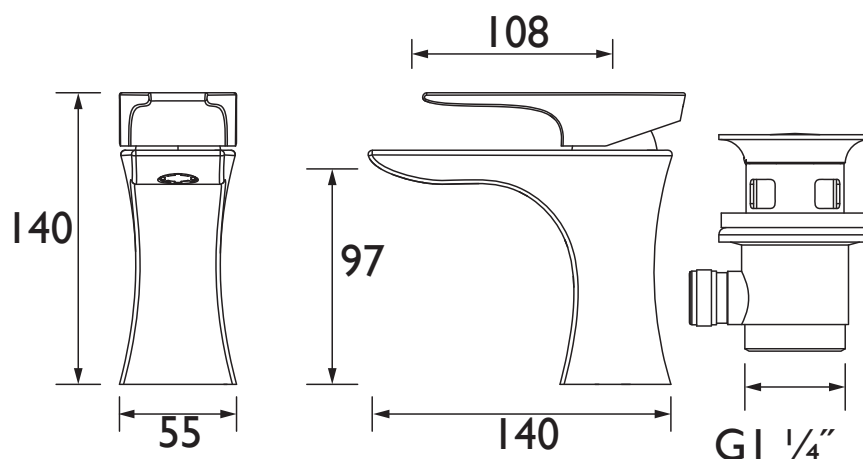
For more products, visit our website:
<http://www.bristan.com>



Specification

Product Type:	Bathroom Taps
Main Construction Material:	Brass
Mount Type:	Deck
Handle Type:	Lever
Connection Inlet:	1/2" BSP Flexible Tails
Connection Outlet:	M24 5lpm Flow Limiter
Number of Tap Holes:	1
Valve/Cartridge Type:	35mm Eco-Start Cartridge
Plumbing System Requirements:	Suitable for all plumbing systems
Minimum Dynamic Pressure (bar):	0.5 bar
Maximum Dynamic Pressure (bar):	5 bar
Maximum Hot Water Temperature °C:	65°C
Maximum Static Pressure (bar):	10 bar
Flow Type:	Single
Isolation Included:	No

Dimensions (measurements in mm)



Flow Rates (l/min)

System Pressure (bar)	0.5	1	2	3	5
HOU ES BAS BB (mixed)	5	5	5	5	5

TECHNICAL DATA SHEET



BRISTAN

D1