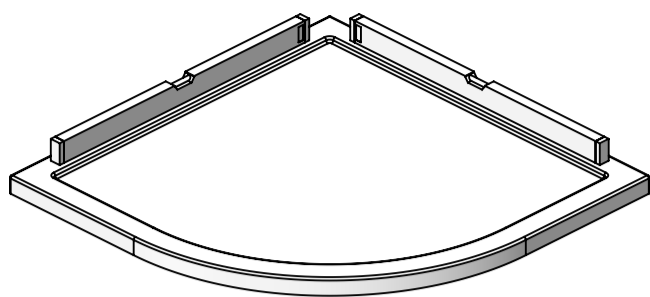
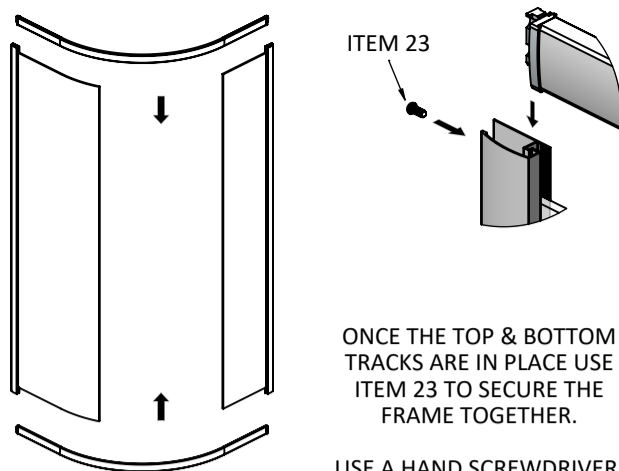


1



ENSURE THE TRAY IS LEVEL IN ALL PLANES.

2



SLIDE THE TOP & BOTTOM TRACKS INTO THE GLASS PROFILES UNTIL FLUSH.

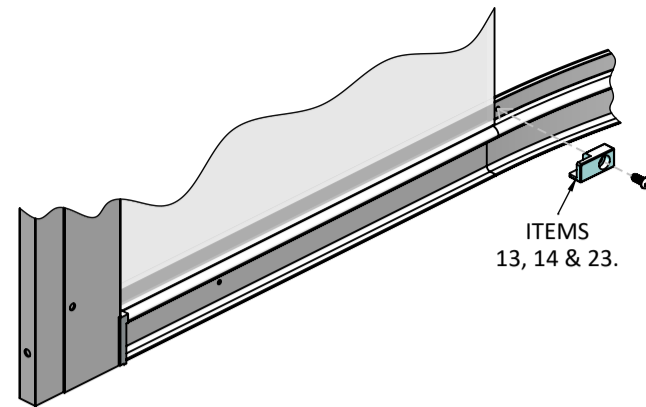
ONCE THE TOP & BOTTOM TRACKS ARE IN PLACE USE ITEM 23 TO SECURE THE FRAME TOGETHER.

USE A HAND SCREWDRIVER, DO NOT OVERTIGHTEN.

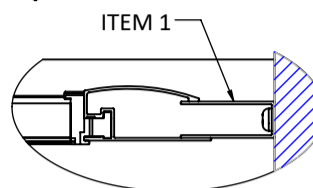
NOTE : THE DOOR CLOSURES TOWARDS THE STRAIGHT GLASS PANEL.

3

FIT THE BOTTOM GLASS CLIP UNDER THE GLASS (ITEMS 13 & 14). ONLY TIGHTEN THE SCREW, ITEM 23, PART WAY. FIT THE TOP GLASS CLIP AND TIGHTEN ALL SCREWS.



ITEMS 13, 14 & 23.

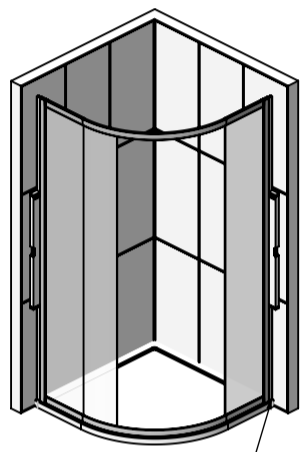


PLEASE NOTE: PARTIALLY INSERT THE WALL PROFILES INTO THE FIXED GLASS PROFILE. DO NOT PUSH THEM ALL THE WAY IN AS THIS MAY SCRATCH THE PROFILES.

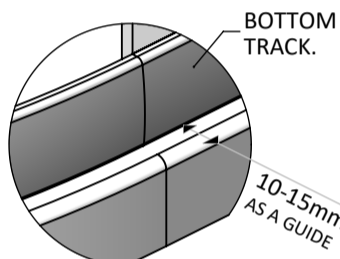
4

IMPORTANT

OFFER THE FRAME ONTO THE TRAY FIRST. SET THE CURVED FACE OF THE TRACK 10-15mm BACK FROM THE CURVED FACE OF THE TRAY (AS A GUIDE). MAKE SURE THE WALL PROFILES REACH THE WALL. IF THEY DON'T, MOVE THE QUAD FURTHER BACK ONTO THE TRAY EVENLY. NOW MARK THE WALL PROFILE POSITION WITH A PENCIL AND REMOVE THE FRAME.



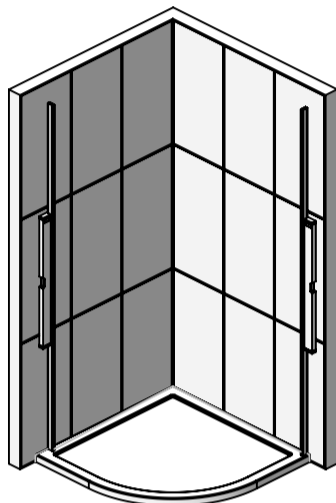
MARK POSITION WITH A PENCIL.



BOTTOM TRACK.

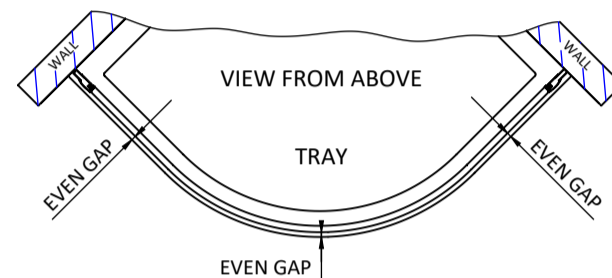
10-15mm AS A GUIDE

5



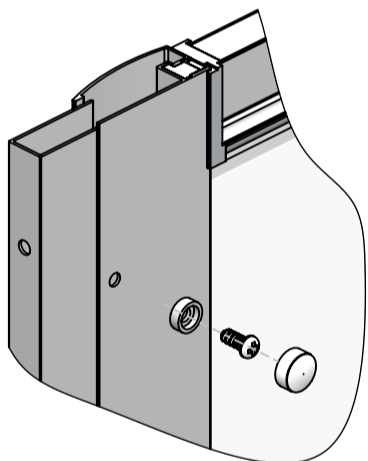
MAKE SURE THE WALL PROFILES ARE TRUE WITH A SPIRIT LEVEL. MARK THROUGH THE FIXING HOLES WITH A PENCIL. REMOVE PROFILES, DRILL AND PLUG THE WALLS (ITEMS 24). THE WALL PLUGS SUPPLIED MAY NOT BE SUITABLE FOR YOUR SUBSTRATE, USE SUITABLE FIXINGS. FIX THE WALL PROFILES IN PLACE USING ITEM 22.

6



FIT THE FRAME OVER THE WALL PROFILES, ADJUSTING THE FRAME UNTIL THERE'S AN EVEN GAP BETWEEN THE FRONT EDGE OF THE TRAY AND BOTTOM TRACK. THERE SHOULD ALSO BE AN EQUAL AMOUNT OF FRAME IN EACH WALL PROFILE. ENSURE THE FRAME IS TRUE AND SQUARE ON BOTH SIDES BEFORE IT IS FIXED IN PLACE, USE A SPIRIT LEVEL ON THE EDGE OF THE FIXED GLASS PANEL TO VERIFY.

7



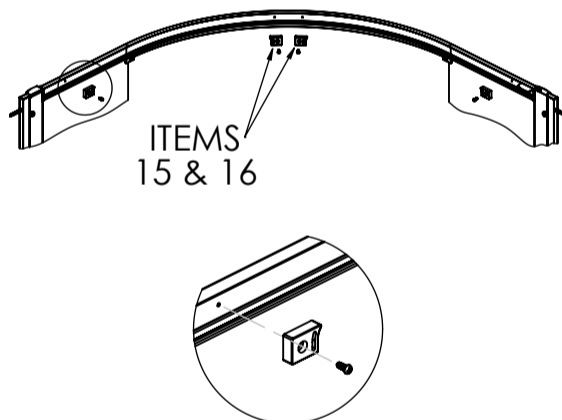
WHEN THE FRAME IS READY TO BE FIXED, DRILL THROUGH THE HOLES IN THE GLASS PROFILE WITH A 3mm DRILL BIT.

MAKE SURE YOU ONLY DRILL ONE WALL THICKNESS.

THEN FIX THE FRAME USING ITEMS 20, 21 & 23.

DON'T OVER TIGHTEN SCREWS.

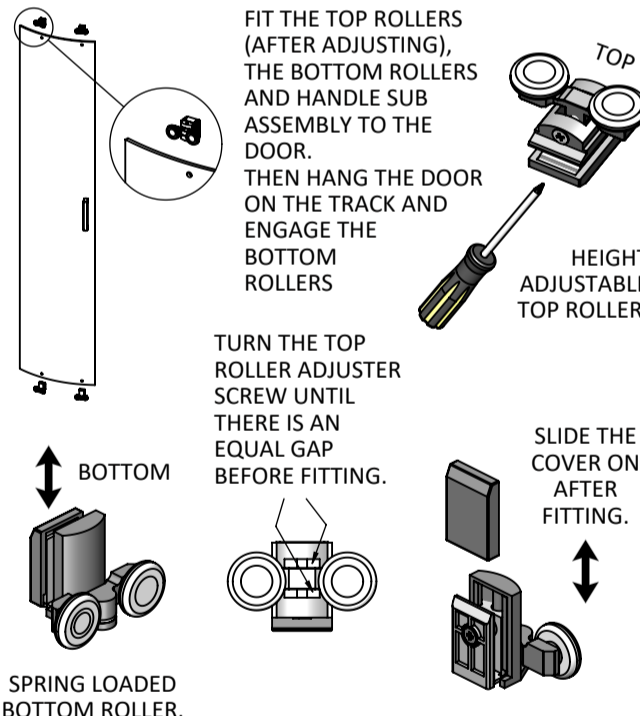
8



ITEMS 15 & 16

FIT THE BUMP STOPS (ITEMS 15 & 16) TO THE TOP AND BOTTOM TRACKS WITH ITEM 23. DO NOT OVERTIGHTEN THE SCREWS, OTHERWISE THE SCREW WILL SHOW THROUGH ON THE FRONT FACE OF THE TRACK.

9



FIT THE TOP ROLLERS (AFTER ADJUSTING), THE BOTTOM ROLLERS AND HANDLE SUB ASSEMBLY TO THE DOOR. THEN HANG THE DOOR ON THE TRACK AND ENGAGE THE BOTTOM ROLLERS

TURN THE TOP ROLLER ADJUSTER SCREW UNTIL THERE IS AN EQUAL GAP BEFORE FITTING.

HEIGHT ADJUSTABLE TOP ROLLER.

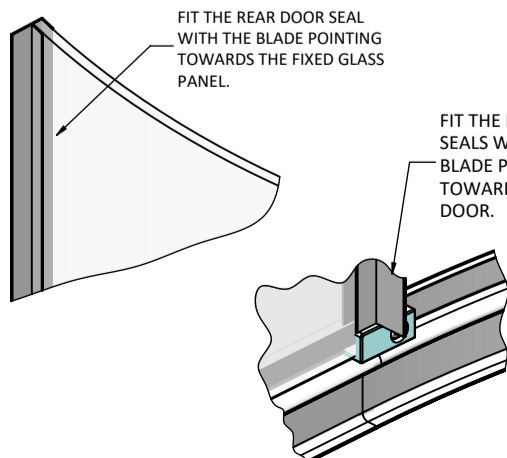
SLIDE THE COVER ON AFTER FITTING.

SPRING LOADED BOTTOM ROLLER.

10

CUT THE VERTICAL PVC SEALS TO LENGTH AS FOLLOWS, IF NECESSARY: (THESE SIZES ARE BASED ON AN 1900mm ENCLOSURE)

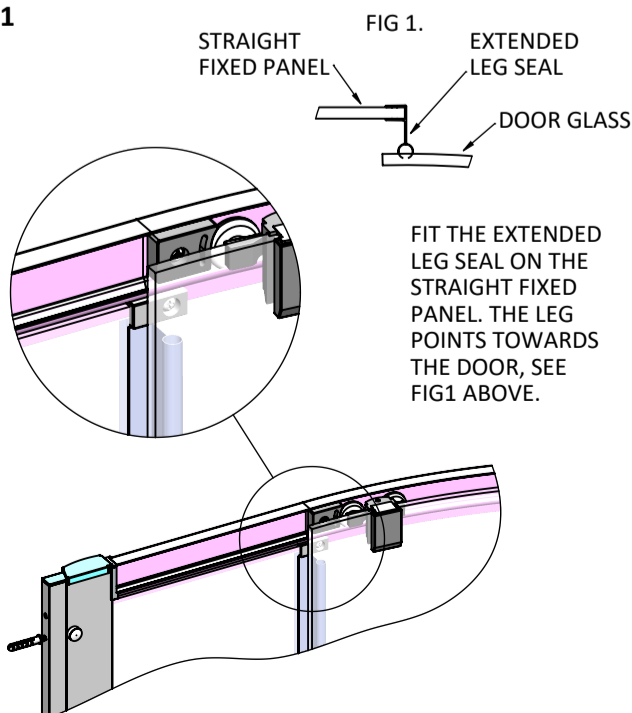
DOOR REAR SEAL = 1883mm.
CURVED FIXED PANEL SEAL = 1818mm
STRAIGHT FIXED PANEL SEAL - EXTENDED LEG = 1818mm



FIT THE REAR DOOR SEAL WITH THE BLADE POINTING TOWARDS THE FIXED GLASS PANEL.

FIT THE FIXED GLASS SEALS WITH THE BLADE POINTING TOWARDS THE DOOR.

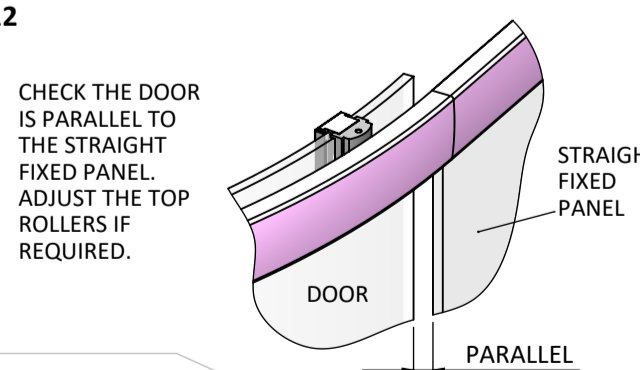
11



STRAIGHT FIXED PANEL
EXTENDED LEG SEAL
DOOR GLASS

FIT THE EXTENDED LEG SEAL ON THE STRAIGHT FIXED PANEL. THE LEG POINTS TOWARDS THE DOOR, SEE FIG1 ABOVE.

12



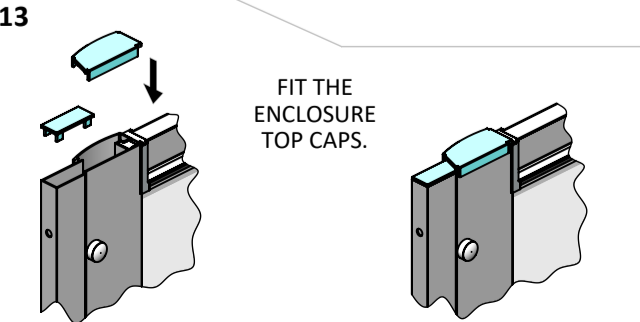
CHECK THE DOOR IS PARALLEL TO THE STRAIGHT FIXED PANEL. ADJUST THE TOP ROLLERS IF REQUIRED.

STRAIGHT FIXED PANEL

DOOR

PARALLEL

13



FIT THE ENCLOSURE TOP CAPS.

EXTERNALLY SILICONE SEAL THE WALL PROFILES WHERE THEY MEET THE WALL AND THE BOTTOM PROFILE WHERE IT MEETS THE TRAY. ALL IN A CONTINUOUS BEAD.

ALSO SILICONE SEAL THE PLASTIC MOULDINGS AND 150mm HIGH AS SHOWN IN THE DETAILED VIEW BELOW.

DO NOT SILICONE INSIDE THE ENCLOSURE.

ALLOW THE SILICONE AT LEAST 24 HOURS TO FULLY CURE.

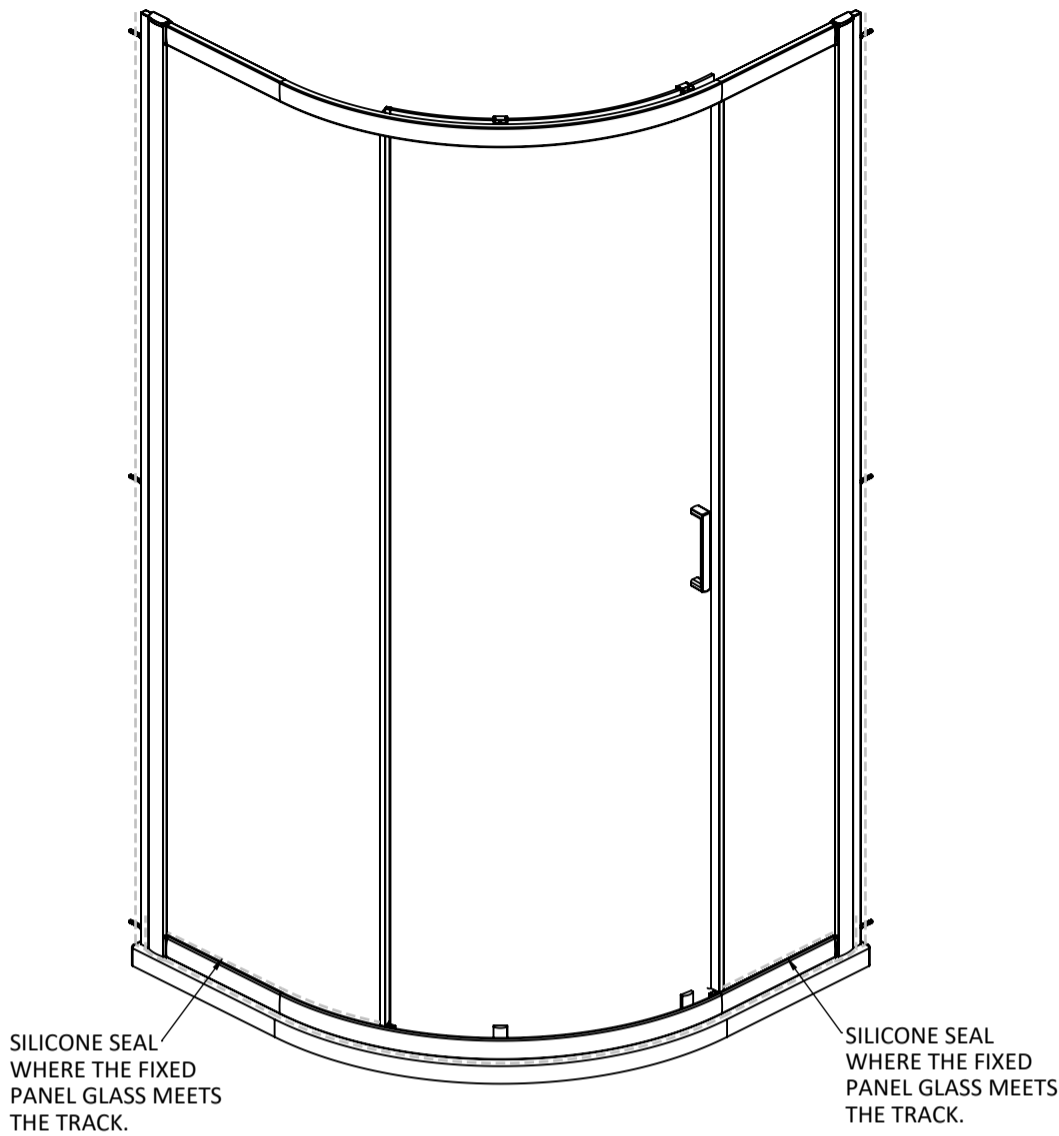
AFTERCARE - ENSURE YOU CLEAN YOUR PRODUCT USING A MILD DETERGENT DILUTED IN WATER, REMOVING ANY RESIDUE WITH A SOFT DAMP CLOTH.

MAINTENANCE - ENSURE MOVING PARTS ARE FREE FROM ANY DEBRIS OR SOAP BUILD UP.

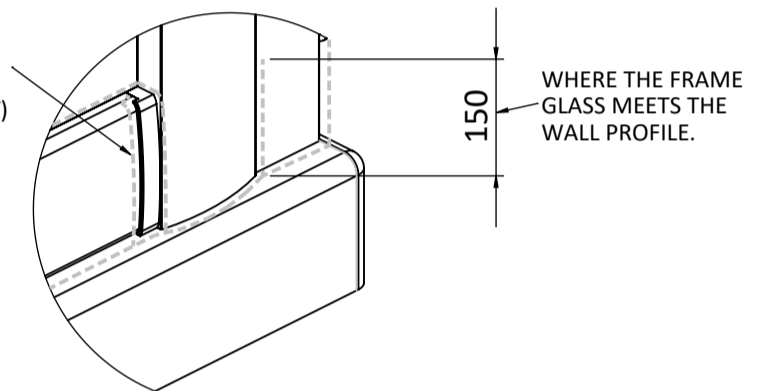
SHOWER ENCLOSURE WITH WHEELS - THE WHEELS MUST ROTATE FREELY AND THE SPRING LOADED MECHANISM IN THE BOTTOM WHEELS MUST OPERATE WITHOUT INTERFERENCE.

TROUBLE SHOOTING GUIDE

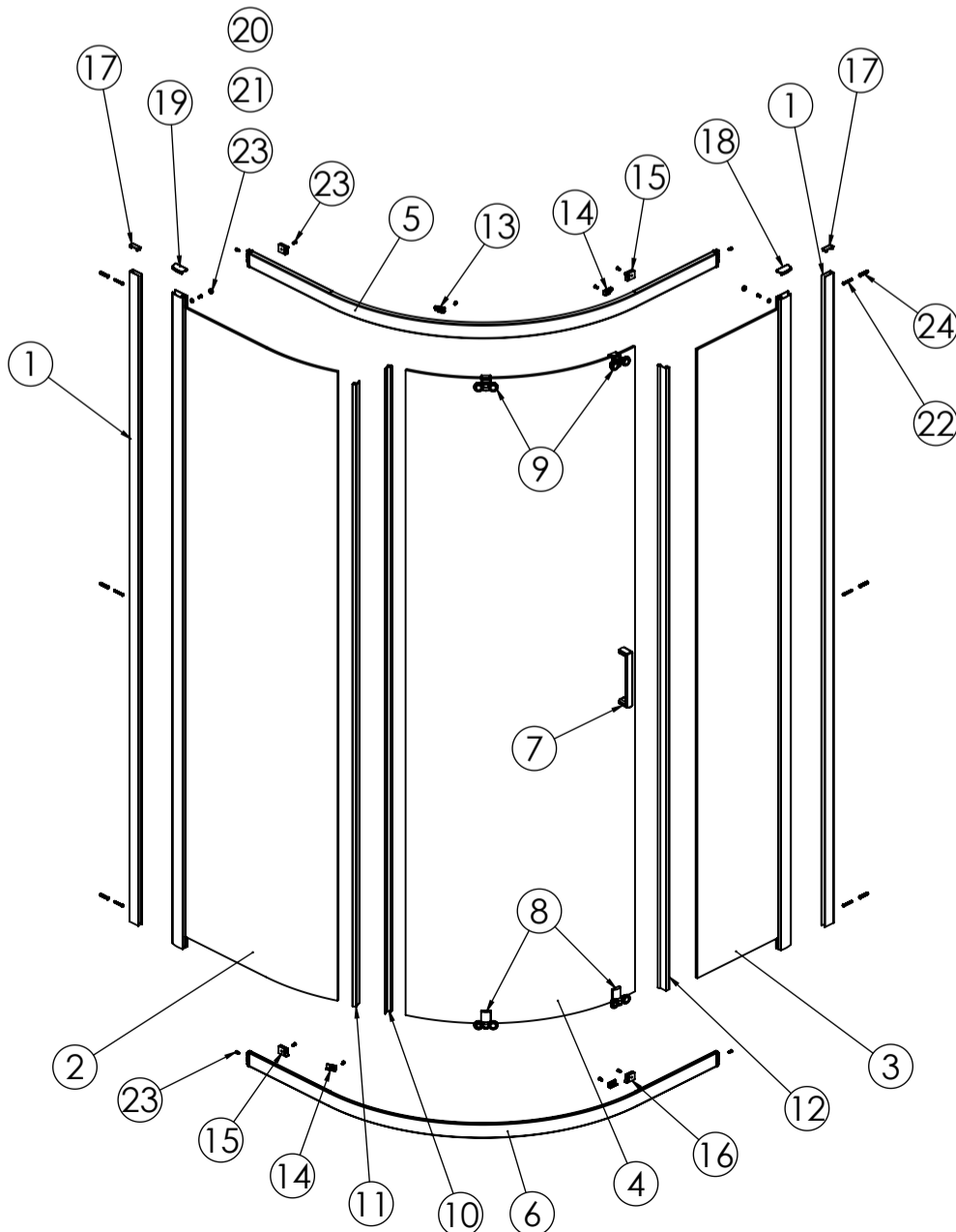
1. IS THE TRAY LEVEL? (SEE STEP 1).
2. ARE THE TOP AND BOTTOM TRACKS FULLY INSERTED AND FLUSH WITH THE GLASS PROFILES? (SEE STEP 2).
3. ARE THE RETAINER SCREWS FITTED TO LOCK THE TRACKS IN PLACE? (SEE STEP 2).
4. DO THE FINISHED TRAY MEASUREMENTS COMPLY WITH THE ADJUSTMENTS LISTED IN THE PRODUCT SPECIFICATION?
5. WHEN CONSIDERING THE LENGTH OF THE TOP TRACK ALSO CONSIDER THE GLASS PROFILES THAT ARE SECURED TO IT WHICH INCREASE ITS LENGTH.



SILICONE THE PLASTIC MOULDING WITH AS SMALL A BEAD AS POSSIBLE. (IMPORTANT)



ONE DOOR QUAD EASY FIT - ENCLOSURE INSTRUCTION



UNPACK THE BOX AND ENSURE ALL COMPONENTS ARE PRESENT.

NO REFUNDS OR REFITTING COST WILL BE GIVEN IF INCOMPLETE OR DAMAGED GOODS ARE FITTED.

THE TOUGHENED SAFETY GLASS SHOULD BE HANDLED WITH CARE AS IMPACTS WILL DAMAGE THE GLASS OR ENCLOSURE.

FIT THE SHOWER TRAY AS PER THE MANUFACTURER'S INSTRUCTIONS.

NOTE: IF THE TRAY ISN'T TRUE AND LEVEL, IT MUST BE RECTIFIED BEFORE SILICONING AROUND THE TOP EDGE OF THE TRAY WHERE IT MEETS THE TILES. ALLOW THE SILICONE TO DRY BEFORE FITTING THE ENCLOSURE.

THE ENCLOSURE INSTALLATION IS RECOMMENDED AS A TWO PERSON OPERATION.

TOOLS REQUIRED

POWER DRILL - 3mm DRILL BIT - 6mm MASONRY DRILL BIT - CROSS HEAD SCREW DRIVER - TAPE MEASURE - PENCIL - SILICONE GUN WITH SANITARY GRADE SEALANT - SPIRIT LEVEL - RUBBER HEAD MALLETT.

ITEM NO.	DESCRIPTION	Notes	QTY
1	WALL PROFILE		2
2	FIXED GLASS PANEL ASSY (WITH CURVE)		1
3	FIXED GLASS PANEL ASSY (STRAIGHT)		1
4	DOOR GLASS		1
5	TRACK		1
6	TRACK (OPPOSITE HAND)		1
7	HANDLE SUB ASSEMBLY		1
8	BOTTOM ROLLER		2
9	TOP ROLLER		2
10	DOOR REAR VERTICAL SEAL	1883 FOR 1900 HIGH ENCLOSURE	1
11	CURVED FIXED PANEL SEAL	1818 FOR 1900 HIGH ENCLOSURE	1
12	STRAIGHT FIXED PANEL SEAL - EXTENDED LEG	1818 FOR 1900 HIGH ENCLOSURE	1
13	GLASS CLIP LH		2
14	GLASS CLIP RH		2
15	BUMP STOP LH		2
16	BUMP STOP RH		2
17	WALL PROFILE CAP		2
18	GLASS PROFILE CAP RH		1
19	GLASS PROFILE CAP LH		1
20	SCREW CUP COVER		4
21	SCREW CUP		4
22	3.9 x 40mm PAN HD SELF TAPPER ST.STL	FOR FIXING TO WALL	6
23	3.9 x 10mm PAN HD SELF TAPPER ST.STL		14
24	WALL PLUG		6